



W90N740CD/W90N740CDG DATA SHEET

WINBOND 32-BIT ARM7TDMI-BASED MICRO-CONTROLLER

The information described in this document is the exclusive intellectual property of Winbond Electronics Corporation and shall not be reproduced without permission from Winbond.

Winbond is providing this document only for reference purposes of W90N740-based system design. Winbond assumes no responsibility for errors or omissions.

All data and specifications are subject to change without notice.

For additional information or questions, please contact: Winbond Electronics Corp.



Table of content-

| | | |
|-------|--|-----|
| 1. | GENERAL DESCRIPTION | 1 |
| 2. | FEATURES | 1 |
| 3. | BLOCK DIAGRAM | 5 |
| 4. | PIN CONFIGURATION | 6 |
| 5. | PIN ASSIGNMENT | 7 |
| 6. | PIN DESCRIPTION..... | 10 |
| 7. | FUNCTIONAL DESCRIPTION | 14 |
| 7.1 | ARM7TDMI CPU Core..... | 14 |
| 7.2 | System Manager..... | 15 |
| 7.2.1 | Overview..... | 15 |
| 7.2.2 | System Memory Map..... | 15 |
| 7.2.3 | Address Bus Generation | 17 |
| 7.2.4 | Data Bus Connection with External Memory..... | 18 |
| 7.2.5 | Bus Arbitration | 28 |
| 7.2.6 | Power-On Setting | 29 |
| 7.2.7 | System Manager Control Registers Map | 30 |
| 7.3 | External Bus Interface (EBI) | 35 |
| 7.3.1 | EBI Overview..... | 35 |
| 7.3.2 | SDRAM Controller | 36 |
| 7.3.3 | External Bus Mastership..... | 41 |
| 7.3.4 | EBI Control Registers Map | 41 |
| 7.4 | Cache Controller | 56 |
| 7.4.1 | On-Chip RAM | 56 |
| 7.4.2 | Non-Cacheable Area | 56 |
| 7.4.3 | Instruction Cache..... | 56 |
| 7.4.4 | Data Cache..... | 59 |
| 7.4.5 | Write Buffer | 61 |
| 7.5 | Ethernet MAC Controller (EMC) | 64 |
| 7.5.1 | EMC Descriptors | 64 |
| 7.5.2 | EMC Register Mapping | 70 |
| 7.6 | Network Address Translation Accelerator (NATA) | 101 |
| 7.6.1 | NAT Process Flow | 102 |
| 7.6.2 | NATA Registers Map..... | 103 |
| 7.7 | GDMA Controller | 113 |
| 7.7.1 | GDMA Function Description | 113 |
| 7.7.2 | GDMA Registers Map..... | 114 |

W90N740CD/W90N740CDG



| | | |
|--------|--|-----|
| 7.8 | USB Host Controller | 121 |
| 7.8.1 | USB Host Controller Registers Map | 122 |
| 7.9 | UART Controller | 139 |
| 7.9.1 | UART Control Registers Map | 140 |
| 7.10 | TIMER Controller | 150 |
| 7.10.1 | General Timer Controller | 150 |
| 7.10.2 | Watch Dog Timer..... | 150 |
| 7.10.3 | Timer Control Registers Map..... | 151 |
| 7.11 | Advanced Interrupt Controller (AIC) | 156 |
| 7.11.1 | Interrupt Sources | 157 |
| 7.11.2 | AIC Registers Map | 158 |
| 7.12 | General-Purpose Input/Output Controller (GPIO) | 167 |
| 7.12.1 | GPIO Controller Registers Map | 168 |
| 8. | ELECTRICAL CHARACTERISTICS..... | 174 |
| 8.1 | Absolute Maximum Ratings..... | 174 |
| 8.2 | DC Characteristics..... | 175 |
| 8.2.1 | USB Transceiver DC Characteristics..... | 175 |
| 8.3 | AC Characteristics | 176 |
| 8.3.1 | EBI/SDRAM Interface AC Characteristics | 176 |
| 8.3.2 | EBI/External Master Interface AC Characteristics | 176 |
| 8.3.3 | EBI/(ROM/SRAM/External I/O) AC Characteristics | 177 |
| 8.3.4 | USB Transceiver AC Characteristics..... | 178 |
| 8.3.5 | EMC MII AC Characteristics..... | 179 |
| 9. | PACKAGE DIMENSIONS..... | 181 |
| 10. | W90N740 REGISTERS MAPPING TABLE | 182 |
| 11. | ORDERING INFORMATION | 194 |
| 12. | REVISION HISTORY | 194 |



1. GENERAL DESCRIPTION

The **W90N740** micro-controller is 16/32 bit, **ARM7TDMI based RISC** micro-controller for **network** as well as **embedded** applications. An integrated dual Ethernet MAC, the W90N740, is designed for use in broadband routers, wireless access points, residential gateways and LAN camera.

The W90N740N is built around The ARM7TDMI CPU core designed by Advanced RISC Machines, Ltd. And achieves **80MHz** under **worse conditions**. Its small size, fully static design is particularly suitable for cost-sensitive and power-sensitive applications. It designs as Harvard architecture by offering an **8K-byte I-cache/SRAM** and an **2K-byte D-cache/SRAM** with flexible configuration and two way set associative structure to balance data movement between CPU and external memory. Four stages **write buffer** also improves latency for write operations.

The **external bus interface (EBI)** controller provides single bus architecture, 8/16/32 bit data width to access external SDRAM, ROM/SRAM, flash memory and I/O devices. It achieves same frequency as CPU core to minimize latency if internal cache misses. Memory controller supports different kinds of SDRAM types and configurations to ease system design. The System Manager includes an internal 32-bit system bus arbiter and a PLL clock controller. Generic I/O bus is easily served as PCMCIA-like interface for 802.11b wireless LAN connection.

Two 10/100Mb MACs of Ethernet controller is built in to reduce total system cost and increase performance between WAN and LAN port. Either **MII or RMII** of MAC is selected for external 10/100 PHY chip to design for varieties of applications. A powerful **NAT accelerator (Patent Pending)** between LAN and WAN reduces the software loading of CPU and speeds up performance between LAN and WAN.

W90N740 integrates **root hub of USB 1.1 host controller with one port transceiver** and uses additional port with external transceiver if necessary, which can add valuable functions like flash disk, printer server, Bluetooth device via USB port. The important peripheral functions include **one full wired high speed UART** channel, **2-Channel GDMA**, **one watch-dog timer**, **two 24-bit timers** with 8-bit pre-scale, **20 programmable I/O ports**, and **an advanced interrupt controller**.

2. FEATURES

Architecture

- Highly-integrated system for embedded Ethernet applications
- Powerful ARM7TDMI core and fully 16/32-bit RISC architecture
- Big /Little-Endian mode supported
- Cost-effective JTAG-based debug solution

System Manager

- System memory map & on-chip peripherals memory map
- The data bus width of external memory address & data bus connection with external memory
- Bus arbitration supports the Fixed Priority Mode & Rotate Priority Mode
- Power-On setting
- On-Chip PLL module control & Clock select control



External Bus Interface (EBI)

- External I/O Control with 8/16/32 bit external data bus
- Cost-effective memory-to-peripheral DMA interface
- SDRAM Controller supports up to 2 external SDRAM & the maximum size of each device is 32MB
- ROM/FLASH & External I/O interface
- Support for PCMCIA 16-bit PC Card devices

On-Chip Instruction and Data Cache

- Two-way, Set-associative, 8K-byte I-cache and 2K-byte D-cache
- Support for LRU (Least Recently Used) Protocol
- Cache can be configured as an internal SRAM
- Support Cache Lock function

Ethernet MAC Controller (EMC)

- IEEE 802.3 protocol engine with programmable MII or RMII interface for 10/100 Mb/s
- DMA engine with burst mode
- 256 bytes transmit & 256 bytes receive FIFO for MAC protocol engine and DMA access
- Built-in 16 entry CAM Address Register
- Support long frame (more than 1518 bytes) and short frame (less than 64 bytes)
- Re-transmit (during collision) the frame without DMA access
- Half or full duplex function option
- Support Station Management for external PHY
- On-Chip Pad generation

NAT Accelerator (Patent Pending)

- Hardware acceleration on IP address / port number look up and replacement for network address translation, including MAC address translation
- Provide 64 entries of translation table
- Support TCP / UDP packets

GDMA Controller

- 2 Channel GDMA for memory-to-memory data transfers without CPU intervention
- Increase or decrease source / destination address in 8-bit, 16-bit, or 32-bit data transfers
- Supports 4-data burst mode to boost performance
- Support external GDMA request



USB Host Controller

- USB 1.1 compatible
- Open Host Controller Interface (OHCI) 1.1 compatible.
- Supports both low-speed (1.5 Mbps) and full-speed (12Mbps) USB devices.
- Built-in DMA for real-time data transfer

UART

- One UART (serial I/O) blocks with interrupt-based operation
- Full set of MODEM control functions (CTS, RTS, DSR, DTR, RI and DCD)
- Fully programmable serial-interface characteristics:
- Break generation and detection
- False start bit detection
- Parity, overrun, and framing error detection
- Full prioritized interrupt system controls

Timers

- Two programmable 24-bit timers with 8-bit pre-scaler
- One programmable 24-bit Watch-Dog timer
- One-short mode, period mode or toggle mode operation

Programmable I/Os

- 21 programmable I/O ports
- I/O ports Configurable for Multiple functions

Advanced Interrupt Controller (AIC)

- 18 interrupt sources, including 4 external interrupt sources
- Programmable normal or fast interrupt mode (IRQ, FIQ)
- Programmable as either edge-triggered or level-sensitive for 4 external interrupt sources
- Programmable as either low-active or high-active for 4 external interrupt sources
- Priority methodology is encoded to allow for interrupt daisy-chaining
- Automatically mask out the lower priority interrupt during interrupt nesting

GPIO Controller

- Programmable as an input or output pin



On-Chip PLL

- One PLL for both CPU and USB host controller
- The external clock can be multiplied by on-chip PLL to provide high frequency system clock
- Programmable clock frequency, and the input frequency range is 3-30MHz; 15MHz is preferred.

Operation Voltage Range

- 2.7 – 3.6 V for IO Buffer
- 1.62 – 1.98 V for Core Logic

Operation Temperature Range

- 0 – 70 Degree C

Operating Frequency

- 80 MHz (default)

Package Type

- 176-pin LQFP



3. BLOCK DIAGRAM

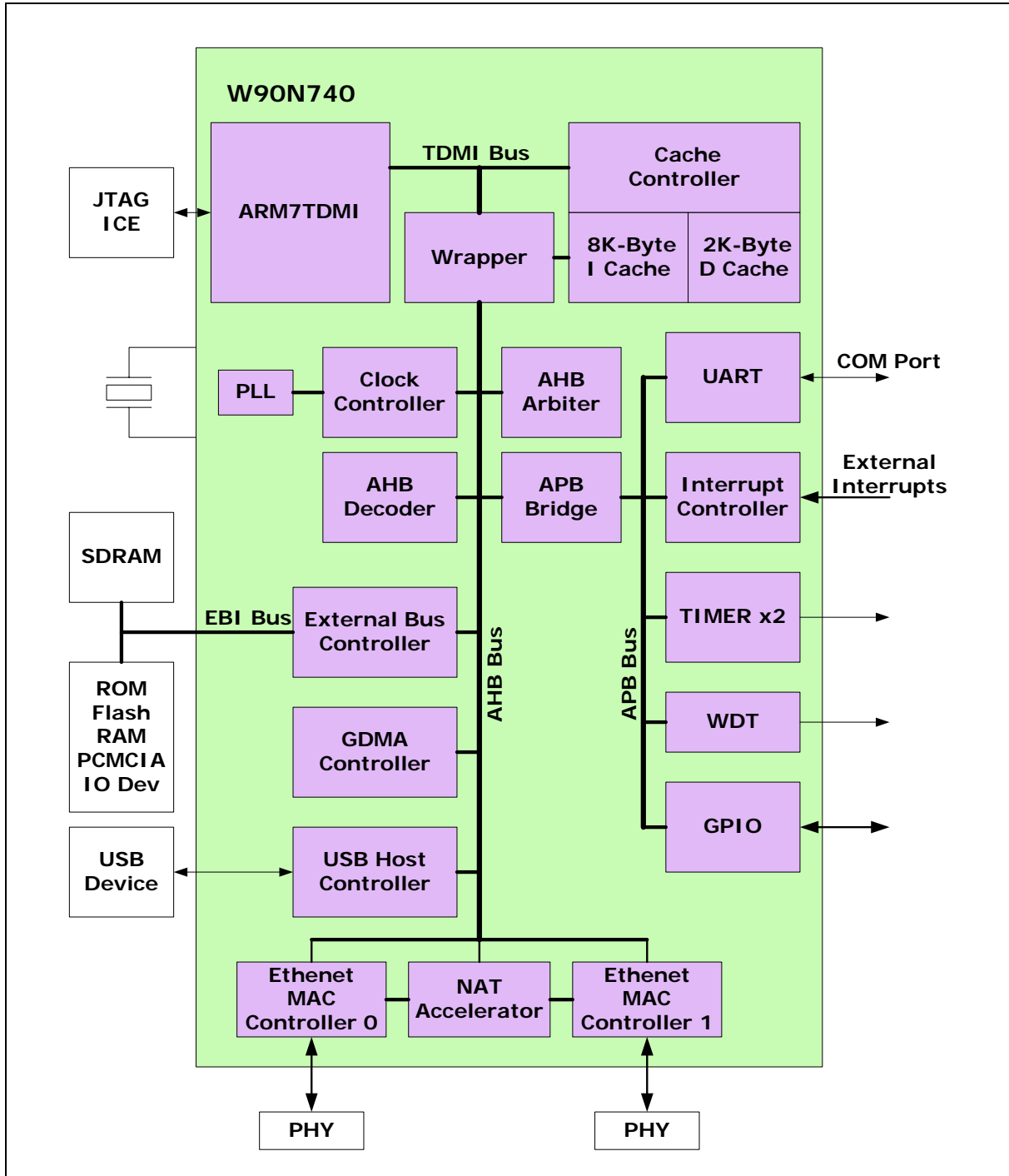


Fig 3.1 W90N740 Functional Block Diagram

W90N740CD/W90N740CDG



4. PIN CONFIGURATION

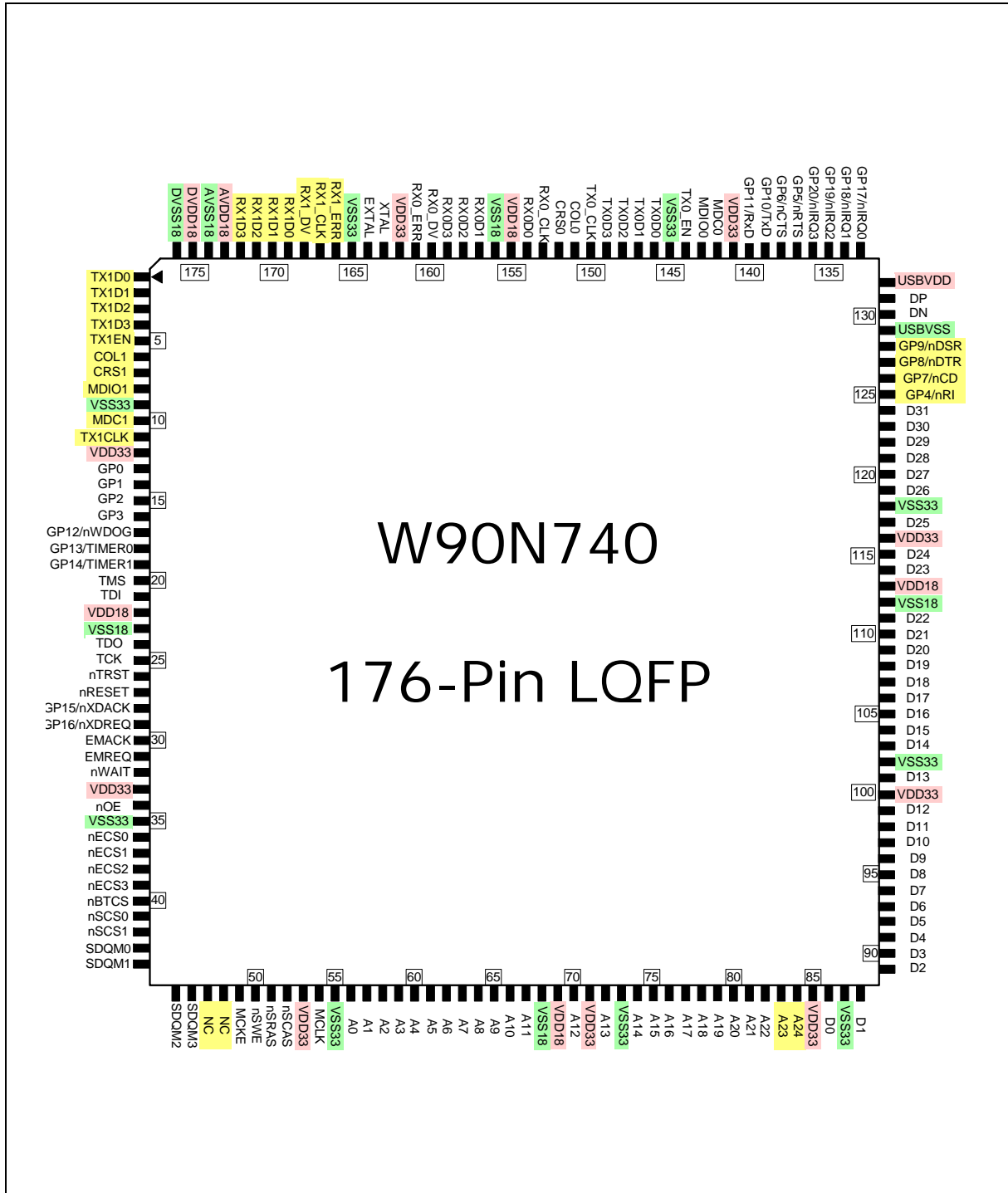


Fig 4.1 176-Pin LQFP Pin Diagram

W90N740CD/W90N740CDG



5. PIN ASSIGNMENT

Table 4 W90N740 Pins Assignment

| PIN NAME | 176-PIN LQFP | |
|-------------------------------|--------------------|-----------------------------------|
| Clock & Reset | (4 pins) | |
| EXTAL | ● | 164 |
| XTAL | ● | 163 |
| MCLK | ● | 54 |
| nRESET | ● | 27 |
| TAP Interface | (5 pins) | |
| TCK | ● | 25 |
| TMS | ● | 20 |
| TDI | ● | 21 |
| TDO | ● | 24 |
| nTRST | ● | 26 |
| External Bus Interface | (78 pins) | |
| A [24:22] | ● | 84-82 |
| A [21:0] | ● | 81-74, 72, 70, 67-56 |
| D [31:16] | ● | 124-119, 117, 115-114, 111-105 |
| D [15:0] | ● | 104-103, 101, 99-88, 86 |
| nWBE [3:0]/ SDQM [3:0] | ● | 46-43 |
| nSCS[1:0] | ● | 42, 41 |
| NSRAS | ● | 51 |
| NSCAS | ● | 52 |
| NSWE | ● | 50 |
| MCKE | ● | 49 |
| NC | ● | 48 |
| NC | ● | 47 |
| EMREQ | ● | 31 |
| EMACK | ● | 30 |
| nWAIT | ● | 32 |
| NBTCS | ● | 40 |
| nECS[3:0] | ● | 39-36 |
| NOE | ● | 34 |

W90N740CD/W90N740CDG



Table 4 W90N740 Pins Assignment, continued

| PIN NAME | 176-PIN LQFP | |
|--|--------------|--------------|
| Ethernet Interface (0) | | |
| (17 pins) | | |
| MDC0 | ● | 142 |
| MDIO0 | ● | 143 |
| COL0 / | ● | 151 |
| CRS0 / R1B_CRSDV | ● | 152 |
| TX0_CLK | ● | 150 |
| TX0D [3:0] / R1B_TXD [1:0], R0_TXD [1:0] | ● | 149-146 |
| TX0_EN / R0_TXEN | ● | 144 |
| RX0_CLK / R0_REFCLK | ● | 153 |
| RX0D [3:0] / R1B_RXD [1:0], R0_RXD [1:0] | ● | 159-157, 154 |
| RX0_DV / R0_CRSDV | ● | 160 |
| RX0_ERR | ● | 161 |
| Ethernet Interface (1) | | |
| (17 pins) | | |
| MDC1 | ● | 10 |
| MDIO1 | ● | 8 |
| COL1 | ● | 6 |
| CRS1 | ● | 7 |
| TX1_CLK | ● | 11 |
| TX1D [3:0] / R1A_TX [1:0] | ● | 4-1 |
| TX1_EN / R1A_TXEN | ● | 5 |
| RX1_CLK / R1A_REFCLK | ● | 167 |
| RX1D [3:0] / R1A_RXD [1:0] | ● | 172-169 |
| RX1_DV / R1A_CRSDV | ● | 168 |
| RX1_ERR / R1A_RXERR | ● | 166 |

W90N740CD/W90N740CDG



Table 4 W90N740 Pins Assignment, continued

| NAME | 176-PIN LQFP | |
|-------------------------|--------------------|---|
| USB Interface | (2 pins) | |
| DP | ● | 131 |
| DN | ● | 130 |
| Miscellaneous | (21 pins) | |
| GP [20:17] / nIRQ [3:0] | ● | 136-133 |
| GP16 / nXDREQ | ● | 29 |
| GP15 /nXDACK | ● | 28 |
| GP14 / TIMER1/ SPEED | ● | 19 |
| GP13 / TIMER0/ STDBY | ● | 18 |
| GP12 /nWDOG | ● | 17 |
| GP11 /RxD | ● | 140 |
| GP10 /TxD | ● | 139 |
| GP9/nDSR/nTOE | ● | 128 |
| GP8 /nDTR/FSE0 | ● | 127 |
| GP7 /nCD / VO | ● | 126 |
| GP6 /nCTS/ VM | ● | 138 |
| GP5 /nRTS/ VP | ● | 137 |
| GP4 /nRI / RCV | ● | 125 |
| GP [3:0] | ● | 16-13 |
| Power/Ground | (32 pins) | |
| VDD18 | ● | 22, 69, 113, 155 |
| VSS18 | ● | 23, 68, 112, 156 |
| VDD33 | ● | 12, 33, 53, 71, 85, 100, 116, 141, 162 |
| VSS33 | ● | 9, 35, 55, 73, 87, 102, 118, 145, 165 |
| USBVDD | ● | 132 |
| USBVSS | ● | 129 |
| DVDD18 | ● | 175 |
| DVSS18 | ● | 176 |
| AVDD18 | ● | 173 |
| AVSS18 | ● | 174 |



6. PIN DESCRIPTION

Table 6.1 W90N740 Pins Description

| PIN NAME | IO TYPE | PAD TYPE | DESCRIPTION |
|---------------------------------|---------|--------------------|--|
| System Clock & Reset | | | |
| EXTAL | I | - | External Clock / Crystal Input |
| XTAL | O | - | Crystal Output |
| MCLK | O | - | System Master Clock Out, SDRAM clock |
| nRESET | I | - | System Reset, active-low |
| TAP Interface | | | |
| TCK | ID | internal pull-down | JTAG Test Clock, |
| TMS | IU | internal pull-up | JTAG Test Mode Select, |
| TDI | IU | internal pull-up | JTAG Test Data in, |
| TDO | O | - | JTAG Test Data out |
| nTRST | IU | internal pull-up | JTAG Reset, active-low, |
| External Bus Interface | | | |
| A [24:22] | O | - | Address Bus (MSB) of external memory and IO devices |
| A [21:0] | IO | - | Address Bus of external memory and IO devices |
| D [31:16] | IO | - | Data Bus (MSB) of external memory and IO device, |
| D [15:0] | IO | - | Data Bus (LSB) of external memory and IO device |
| nWBE [3:0]/ SDQM [3:0] | IO | - | Write Byte Enable for specific device(nECS[3:0]), Data input/output Mask signal for SDRAM (nSCS[1:0]), active-low These pins are always Output in normal mode, and Input type in internal SRAM test mode. |
| nSCS [1:0] | O | - | SDRAM chip select for two external banks, active-low. |
| nSRAS | O | - | Row Address Strobe for SDRAM, active-low |
| nSCAS | O | - | Column Address Strobe for SDRAM, active-low |
| nSWE | O | - | SDRAM Write Enable, active-low |
| MCKE | O | - | SDRAM Clock Enable, active-high |
| EMREQ | ID | internal pull-down | External Master Bus Request This is used to request external bus. When EMACK active, indicates the bus grants the bus, chip drives all the output pins of the external bus to high impedance. |
| EMACK | O | - | External Bus Acknowledge |
| nWAIT | IU | internal pull-up | External Wait, active-low |
| nBTCS | O | - | ROM/Flash Chip Select, active-low |
| nECS [3:0] | IO | - | External I/O Chip Select, active-low. |
| nOE | O | - | ROM/Flash, External Memory Output Enable, active-low |

W90N740CD/W90N740CDG



Pins Description, continued

| PIN NAME | IO TYPE | PAD TYPE | DESCRIPTION |
|-------------------------------------|---------|----------|---|
| Ethernet Interface (0) | | | |
| MDC0 | O | - | MII Management Data Clock for Ethernet 0. It is the reference clock of MDIO0. Each MDIO0 data will be latched at the rising edge of MDC0 clock. |
| MDIO0 | IO | - | MII Management Data I/O for Ethernet 0. It is used to transfer MII control and status information between PHY and MAC. |
| COL0 | I | - | Collision Detect for Ethernet 0 in MII mode. This shall be asserted by PHY upon detecting a collision happened over the medium. It will be asserted and lasted until collision condition vanishes. |
| CRS0 | I | - | Carrier Sense for Ethernet 0 in MII mode. In RMII mode, external pull-up is necessary. |
| TX0_CLK | I | - | Transmit Data Clock for Ethernet 0 in MII mode. TX0_CLK is driven by PHY and provides the timing reference for TX0_EN and TX0D. The clock will be 25MHz or 2.5 MHz. |
| TX0D [3:0] / --, R0_TXD [1:0] | O | - | Transmit Data bus (4-bit) for Ethernet 0 in MII mode. The nibble transmit data bus is synchronized with TX0_CLK. It should be latched by PHY at the rising edge of TX0_CLK. In RMII mode, TX0D [1:0] are used as R0_TXD [1:0], 2-bit Transmit Data bus for Ethernet 0; |
| TX0_EN / R0_TXEN | O | - | Transmit Enable for Ethernet 0 in MII. It indicates the transmit activity to external PHY. It will be synchronized with TX0_CLK. In RMII mode, R0_TXEN shall be asserted synchronously with the first nibble of the preamble and shall remain asserted while all di-bits to be transmitted are presented. Of course, it is synchronized with R0_REFCLK. |
| RX0_CLK / R0_REFCLK | I | - | Receive Data Clock for Ethernet 0 in MII mode When it is used as a received clock pin, it is from PHY. The clock will be either 25 MHz or 2.5 MHz. The minimum duty cycle at its high or low state should be 35% of the nominal period for all conditions. In RMII mode, this pin is used as R0_REFCLK, Reference Clock; The clock shall be 50MHz +/- 50 ppm with minimum 35% duty cycle at high or low state. |
| RX0D [3:0] / --, R0_RXD [1:0] | I | - | Receive Data bus (4-bit) for Ethernet 0 in MII mode. They are driven by external PHY, and should be synchronized with RX0_CLK and valid only when RX0_DV is valid. In RMII mode, RX0D [1:0] are used as R0_RXD [1:0], 2-bit Receive Data bus for Ethernet 0; |
| RX0_DV / R0_CRSDV | I | - | Receive Data Valid for Ethernet 0 in MII mode. It will be asserted when received data is coming and present, and de-asserted at the end of the frame. In RMII mode, this pin is used as the R0_CRSDV, Carrier Sense / Receive Data Valid for Ethernet 0. The R0_CRSDV shall be asserted by PHY when the receive medium is non-idle. Loss of carrier shall result in the de-assertion of R0_CRSDV synchronous to the cycle of R0_REFCLK, and only on nibble boundaries. |
| RX0_ERR | I | - | Receive Data Error for Ethernet 0 in MII mode. It indicates a data error detected by PHY. The assertion should be lasted for longer than a period of RX0_CLK. When RX0_ERR is asserted, the MAC will report a CRC error. |

Publication Release Date: Aug. 18, 2005

W90N740CD/W90N740CDG



Pins Description, continued

| PIN NAME | IO TYPE | PAD TYPE | DESCRIPTION |
|-------------------------------------|---------|----------|--|
| Ethernet Interface (1) | | | |
| MDC1 | O | - | MII Management Data Clock for Ethernet 1. It is the reference clock of MDIO1. Each MDIO1 data will be latched at the rising edge of MDC1 clock. |
| MDIO1 | IO | - | MII Management Data I/O for Ethernet 1. It is used to transfer MII control and status information between PHY and MAC. |
| COL1 | I | - | Collision Detect for Ethernet 1 in MII mode. This shall be asserted by PHY upon detecting a collision happened over the medium. It will be asserted and lasted until collision condition vanishes. External pull-up is necessary in RMII mode. |
| CRS1 | I | - | Carrier Sense for Ethernet 1 in MII mode. External pull-up is necessary in RMII mode. |
| TX1_CLK | I | - | Transmit Data Clock for Ethernet 1 in MII mode, TX1_CLK is driven by PHY and provides the timing reference for TX1_EN and TX1D. The clock will be 25MHz or 2.5 MHz. External pull-up will be necessary in RMII mode. |
| TX1D [3:0] / --,R1A_TXD [1:0] | O | - | Transmit Data bus (4-bit) for Ethernet 1 in MII mode. The nibble transmit data bus is synchronized with TX1_CLK. It should be latched by PHY at the rising edge of TX1_CLK. In RMII mode, TX1D [1:0] are used as R1A_TXD [1:0], 2-bit Transmit Data bus for Ethernet 1 |
| TX1_EN/ R1A_TXEN/R1B_TXEN | O | - | Transmit Enable for Ethernet 1 in MII and RMII mode. It indicates the transmit activity to external PHY. It will be synchronized with TX1_CLK in MII mode. |
| RX1_CLK / R1A_REFCLK | I | - | Receive Data Clock for Ethernet 1 in MII mode. When it is used as a received clock pin, it is from PHY. The clock will be either 25 MHz or 2.5 MHz. The minimum duty cycle at its high or low state should be 35% of the nominal period for all conditions. In RMII mode, this pin is used as R1A_REFCLK, Reference Clock and only available for 176-pin package. The clock shall be 50MHz +/-50 ppm with minimum 35% duty cycle at high or low state. |
| RX1D [3:0] / --, R1A_RXD[1:0] | I | - | Receive Data bus (4-bit) for Ethernet 1 in MII mode. They are driven by external PHY, and should be synchronized with RX1_CLK and valid only when RX1_DV is valid. In RMII mode, RX1D [1:0] are used as R1A_RXD [1:0], 2-bit Receive Data bus for Ethernet 1. |
| RX1_DV/ R1A_CRSDV | I | - | Receive Data Valid for Ethernet 1 in MII mode. It will be asserted when received data is coming and present, and de-asserted at the end of the frame. In RMII mode, this pin is used as the R1A_CRSDV, Carrier Sense / Receive Data Valid for Ethernet 1 and only available for 176-pin package. The R1A_CRSDV shall be asserted by PHY when the receive medium is non-idle. Loss of carrier shall result in the de-assertion of R1A_CRSDV synchronous to the cycle of R1A_REFCLK, and only on nibble boundaries. |
| RX1_ERR / R1A_RXERR | I | - | Receive Data Error for Ethernet 1 in MII and RMII mode. It indicates a data error detected by PHY. The assertion should be lasted for longer than a period of RX0_CLK. When RX0_ERR is asserted, the MAC will report a CRC error. |

W90N740CD/W90N740CDG



Pins Description, continued

| NAME | IO TYPE | PAD TYPE | DESCRIPTION |
|-----------------------|---------|----------|--|
| USB Interface | | | |
| DP | IO | - | Differential Positive USB IO signal |
| DN | IO | - | Differential Negative (Minus) USB IO signal |
| Miscellaneous | | | |
| GP[20:17] / nIRQ[3:0] | IO | - | External Interrupt Request or General Purpose I/O |
| GP16 / nXDREQ | IO | - | External DMA Request or General Purpose I/O |
| GP15 / nXDACK | IO | - | External DMA Acknowledge or General Purpose I/O |
| GP14 / TIMER1/SPEED | IO | - | Timer 1 or General Purpose I/O. This pin is also used as SPEED, Speed mode control for external USB transceiver |
| GP13 / TIMER0/STDBY | IO | - | Timer 0 or General Purpose I/O. This pin is also used as STDBY, StandBy control for external USB transceiver |
| GP12 / nWDOG | IO | - | Watchdog Timer Timeout Flag (active-low) or General Purpose I/O |
| GP11 / RxD | IO | - | UART Receive Data or General Purpose I/O |
| GP10 / TxD | IO | - | UART Transmit Data or General Purpose I/O |
| GP9/nDSR/nTOE | IO | - | UART Receive Clock or General Purpose I/O. This pin is also used as nTOE, Output Enable control (active-low) for external USB transceiver. |
| GP8 /nDTR/FSE0 | IO | - | UART Transmit Clock or General Purpose I/O. This pin is also used as SE0, Differential Data Transceiver Output for external USB transceiver. T |
| GP7 /nCD /VO | IO | - | UART Carrier Detector or General Purpose I/O. This pin is also used as VO, Data Output for external USB transceiver. |
| GP6 /nCTS/ VM | IO | - | UART Clear to Send or General Purpose I/O. This pin is also used as VM, Data Negative (Minus) Input for external USB receiver. |
| GP5 /nRTS/ VP | IO | - | UART Ready to Send or General Purpose I/O. This pin is also used as VP, Data Positive Input for external USB receiver. |
| GP4 /nRI /RCV | IO | - | UART Ring Indicator or General Purpose I/O. This pin is also used as RCV, Difference Receiver Input. |
| GP[3:0] | IO | - | General Purpose I/O. |
| Power/Ground | | | |
| VDD18 | P | - | Core Logic power (1.8V) |
| VSS18 | G | - | Core Logic ground (0V) |
| VDD33 | P | - | IO Buffer power (3.3V) |
| VSS33 | G | - | IO Buffer ground (0V) |
| USBVDD | P | - | USB power (3.3V) |
| USBVSS | G | - | USB ground (0V) |
| DVDD18 | P | - | PLL Digital power (1.8V) |
| DVSS18 | G | - | PLL Digital ground (0V) |
| AVDD18 | P | - | PLL Analog power (1.8V) |
| AVSS18 | G | - | PLL Analog ground (0V) |

Publication Release Date: Aug. 18, 2005



7. FUNCTIONAL DESCRIPTION

7.1 ARM7TDMI CPU Core

The ARM7TDMI CPU core is a member of the ARM family of general-purpose 32-bit microprocessors, which offer high performance for very low power consumption. The architecture is based on Reduced Instruction Set Computer (RISC) principles, and the instruction set and related decode mechanism are much simpler than those of micro-programmed Complex Instruction Set Computer (CISC) systems. Pipelining is employed so that all parts of the processing and memory systems can operate continuously. The high instruction throughput and impressive real-time interrupt response are the major benefits.

The ARM7TDMI core can execute two instruction sets:

- (1) The standard 32-bit ARM instruction set
- (2) The 16-bit THUMB instruction set

The THUMB set's 16-bit instruction length allows it to approach twice the density of standard ARM core while retaining most of the ARM's performance advantage over a traditional 16-bit processor using 16-bit registers. THUMB instructions operate with the standard ARM register configuration, allowing excellent interoperability between ARM and THUMB states. Each 16-bit THUMB instruction has a corresponding 32-bit ARM instruction with the same effect on the processor model. In the other words, the THUMB architecture give 16-bit systems a way to access the 32-bit performance of the ARM Core without requiring the full overhead of 32-bit processing.

ARM7TDMI CPU core has 31 x 32-bit registers. At any one time, 16 set are visible; the other registers are used to speed up exception processing. All the register specifies in ARM instructions can address any of the 16 registers. The CPU also supports 5 types of exception, such as two levels of interrupt, memory aborts, attempted execution of an undefined instruction and software interrupts.

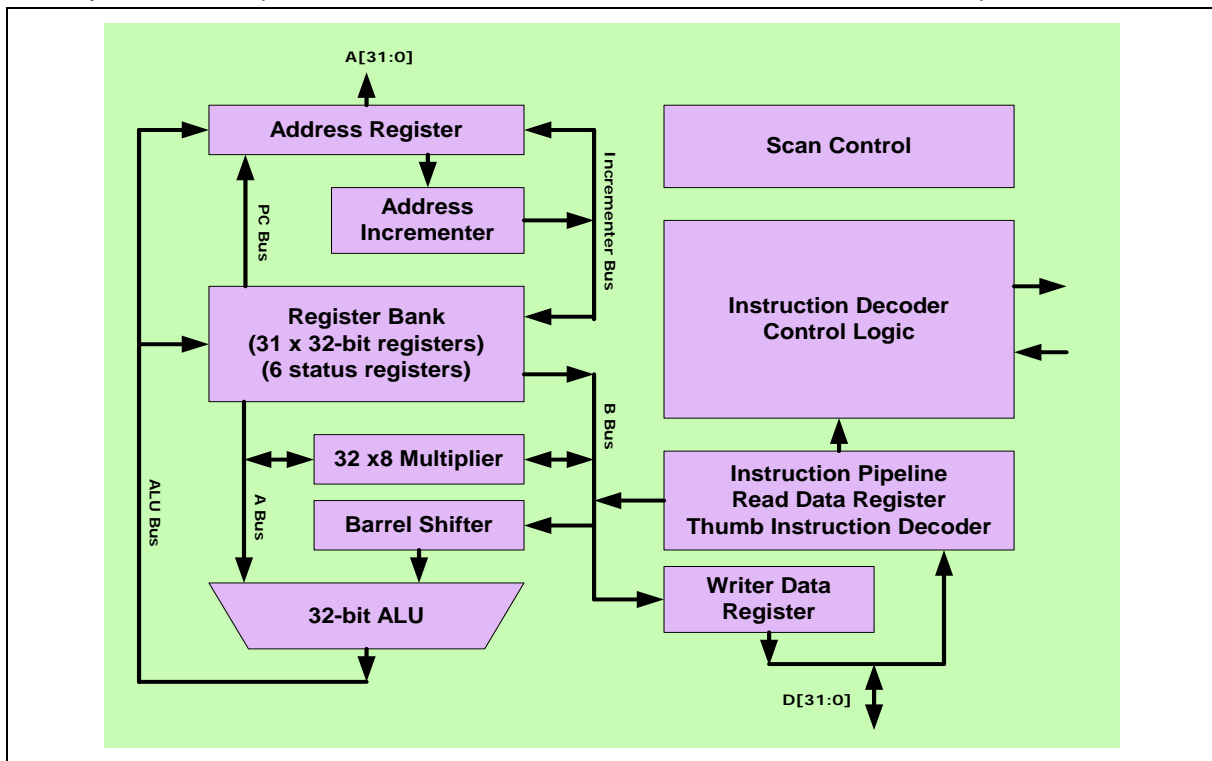


Fig 7.1 ARM7TDMI CPU Core Block Diagram



7.2 System Manager

7.2.1 Overview

The functions of the System Manager:

- System memory map & on-chip peripherals memory map
- The data bus width of external memory address & data bus connection with external memory
- Bus arbitration supports the Fixed Priority Mode & Rotate Priority Mode
- Power-On setting
- On-Chip PLL module control & Clock select control

7.2.2 System Memory Map

W90N740 provides 2G bytes cacheable address space and the other 2G bytes are non-cacheable. The On-Chip Peripherals bank is on 1M bytes top of the space (0xFFFF0.0000 – 0xFFFF.FFFF) and the On-Chip RAM bank's start address is 0xFFE0.0000, the other banks can be located anywhere (cacheable space: 0x0~0x7FDF.FFFF if Cache ON; non-cacheable space: 0x8000.0000 ~ 0xFFDF.FFFF).

The size and location of each bank is determined by the register settings for "current bank base address pointer" and "current bank size". (*Note: The address boundaries of consecutive banks must not overlap, when setting the bank control registers.)

The start address of each memory bank is not fixed, except On-Chip Peripherals and On-Chip RAM. You can use bank control registers to assign a specific bank start address by setting the bank's base pointer (13 bits). The address resolution is 256K bytes. The bank's start address is defined as "base pointer << 18" and the bank's size is "current bank size".

In the event of an access request to an address outside any programmed bank size, an abort signal is generated. The maximum accessible memory size of each external IO bank is 32M bytes, and 64M bytes on SDRAM banks.

W90N740CD/W90N740CDG

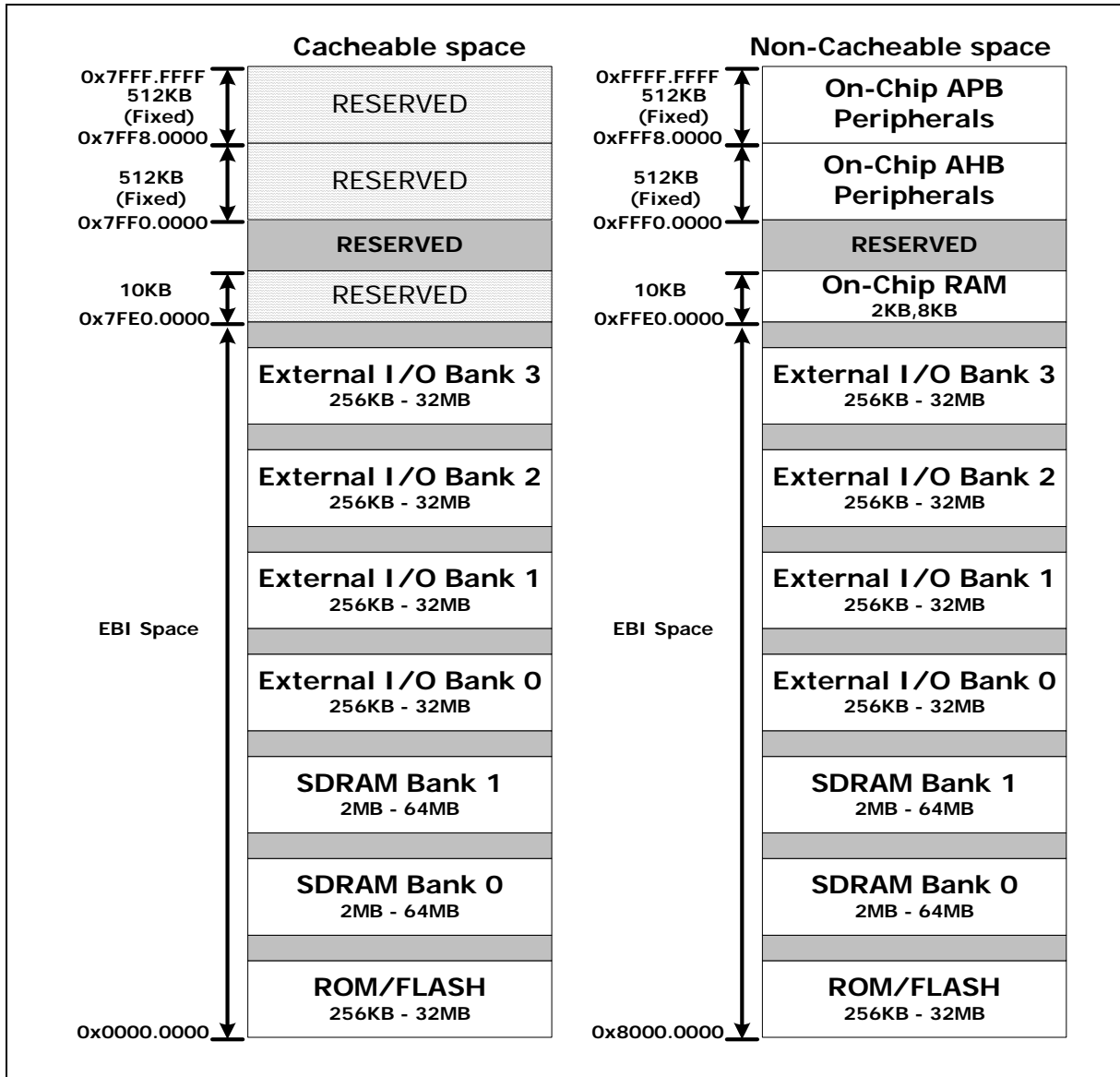


Fig7.2.1 System Memory Map



Table 7.2.1 On-Chip Peripherals Memory Map

| BASE ADDRESS | DESCRIPTION |
|------------------------|---------------------------------------|
| AHB PERIPHERALS | |
| 0xFFFF0.0000 | Product Identifier Register (PDID) |
| 0xFFFF0.0004 | Arbitration Control Register (ARBCON) |
| 0xFFFF0.0008 | PLL Control Register (PLLCON) |
| 0xFFFF0.000C | Clock Select Register (CLKSEL) |
| 0xFFFF0.1000 | EBI Control Register (EBICON) |
| 0xFFFF0.1004 | ROM/FLASH (ROMCON) |
| 0xFFFF0.1008 | SDRAM bank 0 - 1 |
| 0xFFFF0.1018 | External I/O 0 - 3 |
| 0xFFFF0.2000 | Cache Controller |
| 0xFFFF0.3000 | Ethernet MAC Controller 0 - 1 |
| 0xFFFF0.4000 | GDMA 0 - 1 |
| 0xFFFF0.5000 | USB (Host) |
| 0xFFFF0.6000 | NAT Accelerator |
| 0xFFFF6.0000 | Reserved |
| 0xFFFF7.0000 | Reserved |
| APB Peripherals | |
| 0xFFFF8.0000 | UART |
| 0xFFFF8.1000 | Timer 0 - 1, WDOG Timer |
| 0xFFFF8.2000 | Interrupt Controller |
| 0xFFFF8.3000 | GPIO |

7.2.3 Address Bus Generation

The W90N740 address bus generation is depended on the required data bus width of each memory bank. The data bus width is determined by **DBWD** bits in each bank's control register.

The maximum accessible memory size of each external IO bank is 32M bytes .

Table 7.2.2 Address Bus Generation Guidelines

| DATA BUS | EXTERNAL ADDRESS PINS | | | MAXIMUM ACCESSIBLE |
|---------------|-----------------------|----------------|----------------|--------------------|
| | WIDTH | A [22:0] | A23 | A24 |
| 8-BIT | A22 – A0 (Internal) | A23 (Internal) | A24 (Internal) | 32M bytes |
| 16-BIT | A23 – A1 (Internal) | A24 (Internal) | NA | 16M half-words |
| 32-BIT | A24 – A2 (Internal) | NA | NA | 8M words |



7.2.4 Data Bus Connection with External Memory

7.2.4.1. Memory formats

The internal architecture is big endian. The little endian mode only support for external memory. The W90N740 can be configured as big endian or little endian mode by pull up or down the data D14 pin. If D14 is pull-up then it is a little endian mode, otherwise, it is a big endian mode.

Big Endian

In Big endian format, the W90N740 stores the most significant byte of a word at the lowest numbered byte, and the least significant byte at the highest-numbered byte. So the byte at address 0 of the memory system connects to data lines 31 through 24.

For a word aligned address A, Fig7.2.2 shows how the word at address A, the half-word at addresses A and A+2, and the bytes at addresses A, A+1, A+2, and A+3 map on to each other when the **LITTLE** pin is Low.

| | | | | | | | | | | | | | | | | | | | | | | | | | | | | | | | |
|------------------------|----|----|----|----|----|----|----|---------------------|----|----|----|----|----|----|----|--------------------------|----|----|----|----|----|---|---|---------------------|---|---|---|---|---|---|---|
| 31 | 30 | 29 | 28 | 27 | 26 | 25 | 24 | 23 | 22 | 21 | 20 | 19 | 18 | 17 | 16 | 15 | 14 | 13 | 12 | 11 | 10 | 9 | 8 | 7 | 6 | 5 | 4 | 3 | 2 | 1 | 0 |
| Word at address A | | | | | | | | | | | | | | | | | | | | | | | | | | | | | | | |
| Half-word at address A | | | | | | | | | | | | | | | | Half-word at address A+2 | | | | | | | | | | | | | | | |
| Byte at address A | | | | | | | | Byte at address A+1 | | | | | | | | Byte at address A+2 | | | | | | | | Byte at address A+3 | | | | | | | |

Fig. 7.2.2 Big endian addresses of bytes and half-words within words

Little Endian

In Little endian format, the lowest addressed byte in a word is considered the least significant byte of the word and the highest addressed byte is the most significant. So the byte at address 0 of the memory system connects to data lines 7 through 0.

For a word aligned address A, Fig7.2.3 shows how the word at address A, the half-word at addresses A and A+2, and the bytes at addresses A, A+1, A+2, and A+3 map on to each other when **LITTLE** pin is High.

| | | | | | | | | | | | | | | | | | | | | | | | | | | | | | | | |
|--------------------------|----|----|----|----|----|----|----|---------------------|----|----|----|----|----|----|----|------------------------|----|----|----|----|----|---|---|-------------------|---|---|---|---|---|---|---|
| 31 | 30 | 29 | 28 | 27 | 26 | 25 | 24 | 23 | 22 | 21 | 20 | 19 | 18 | 17 | 16 | 15 | 14 | 13 | 12 | 11 | 10 | 9 | 8 | 7 | 6 | 5 | 4 | 3 | 2 | 1 | 0 |
| Word at address A | | | | | | | | | | | | | | | | | | | | | | | | | | | | | | | |
| Half-word at address A+2 | | | | | | | | | | | | | | | | Half-word at address A | | | | | | | | | | | | | | | |
| Byte at address A+3 | | | | | | | | Byte at address A+2 | | | | | | | | Byte at address A+1 | | | | | | | | Byte at address A | | | | | | | |

Fig. 7.2.3 Little endian addresses of bytes and half-words within words



7.2.4.2. Connection of External Memory with Various Data Width

The system diagram for W90N740 connecting with the external memory is shown in Fig. 7.2.4. Below tables (Table7.2.3 – Table7.2.14) show the program/data path between CPU register and the external memory using little / big endian and word/half-word/byte access.

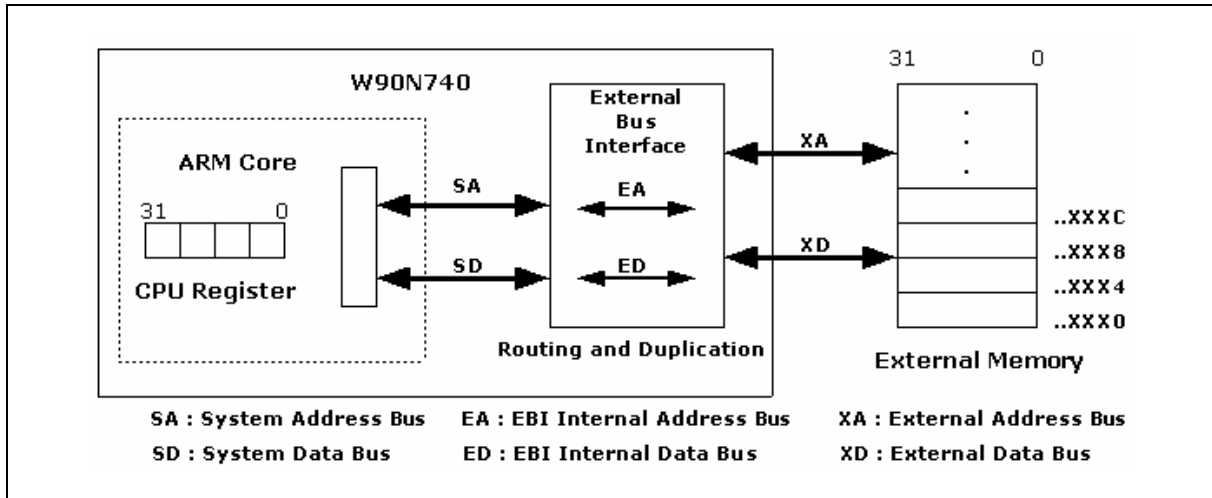


Fig. 7.2.4 Address/Data bus connection with external memory

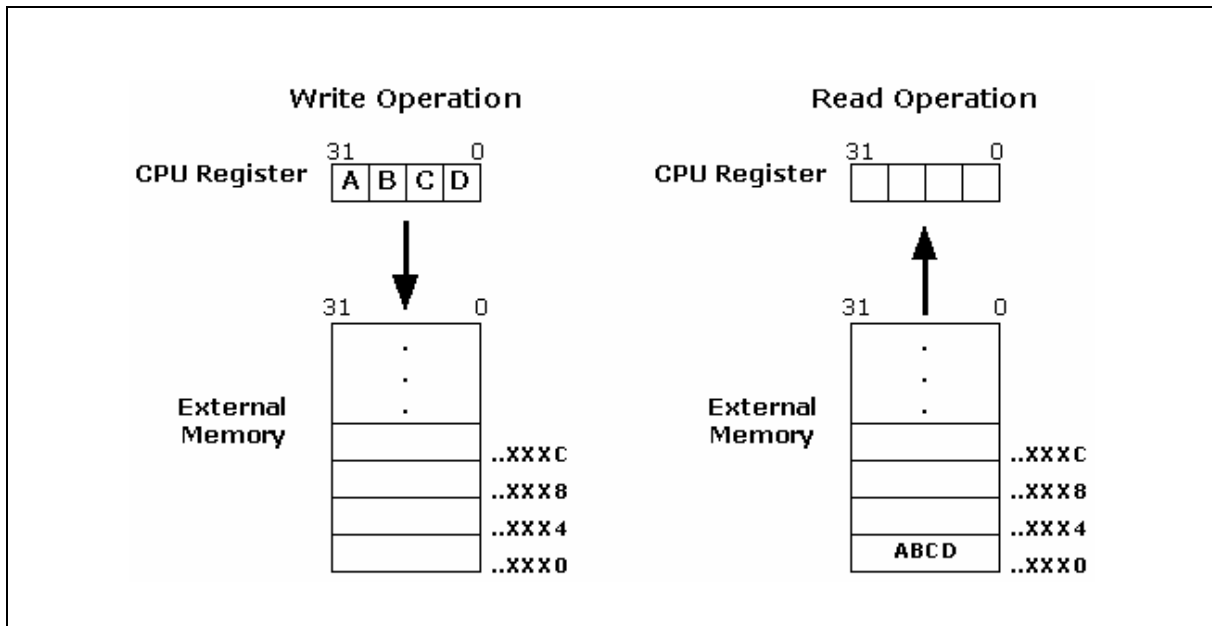


Fig. 7.2.5 CPU register Read/Write with external memory

W90N740CD/W90N740CDG



Table 7.2.3 and Table 7.2.4

Using big-endian and word access, Program/Data path between register and external memory

WA = Address whose LSB is 0, 4, 8, C X = Don't care

nWBE [3-0] / SDQM [3-0] = A means active and U means inactive

Table 7.2.3 Word access write operation with Big Endian

| ACCESS OPERATION | WRITE OPERATION (CPU REGISTER → EXTERNAL MEMORY) | | | | | | |
|---|--|---------------|------------|-----------------|-----------|-----------|-----------|
| | WORD | HALF WORD | | BYTE | | | |
| BIT NUMBER CPU REG DATA | 31 0 ABCD | 31 0 ABCD | | 31 0 ABCD | | | |
| SA | WA | WA | | WA | | | |
| BIT NUMBER SD | 31 0 ABCD | 31 0 AB CD | | 31 0 A B C D | | | |
| BIT NUMBER ED | 31 0 ABCD | 15 0 AB | 15 0 CD | 7 0 A | 7 0 B | 7 0 C | 7 0 D |
| XA | WA | WA | WA+2 | WA | WA+1 | WA+2 | WA+3 |
| NWBE [3-0] / SDQM [3-0] | AAAA | XXAA | XXAA | XXA | XXA | XXA | XXA |
| BIT NUMBER XD | 31 0 ABCD | 15 0 AB | 15 0 CD | 7 0 A | 7 0 B | 7 0 C | 7 0 D |
| BIT NUMBER EXT. MEM DATA | 31 0 ABCD | 15 0 AB | 15 0 CD | 7 0 A | 7 0 B | 7 0 C | 7 0 D |
| TIMING SEQUENCE | | 1st write | 2nd write | 1st write | 2nd write | 3rd write | 4th write |

W90N740CD/W90N740CDG



Table 7.2.4 Word access read operation with Big Endian

| ACCESS OPERATION | READ OPERATION (CPU REGISTER ← EXTERNAL MEMORY) | | | | | | |
|------------------|---|-----------|----------|----------|----------|----------|----------|
| XD WIDTH | WORD | HALF WORD | | BYTE | | | |
| Bit Number | 31 0 | 31 0 | | 31 0 | | | |
| CPU Reg Data | ABCD | CDAB | | DCBA | | | |
| SA | WA | WA | | WA | | | |
| Bit Number | 31 0 | 31 0 | | 31 0 | | | |
| SD | ABCD | CD AB | | D C B A | | | |
| Bit Number | 31 0 | 31 0 | 31 0 | 31 0 | 31 0 | 31 0 | 31 0 |
| ED | ABCD | CD XX | CD AB | D X X X | D C X X | D C B X | D C B A |
| XA | WA | WA | WA+2 | WA | WA+1 | WA+2 | WA+3 |
| SDQM [3-0] | AAAA | XXAA | XXAA | XXXA | XXXA | XXXA | XXXA |
| Bit Number | 31 0 | 15 0 | 15 0 | 7 0 | 7 0 | 7 0 | 7 0 |
| XD | ABCD | CD | AB | D | C | B | A |
| Bit Number | 31 0 | 15 0 | 15 0 | 7 0 | 7 0 | 7 0 | 7 0 |
| Ext. Mem Data | ABCD | CD | AB | D | C | B | A |
| Timing Sequence | | 1st read | 2nd read | 1st read | 2nd read | 3rd read | 4th read |

Table 7.2.5 and Table 7.2.6

Using big-endian and half-word access, Program/Data path between register and external memory.

HA = Address whose LSB is 0, 2, 4, 6, 8, A, C, E

HAL = Address whose LSB is 0, 4, 8, C

HAU = Address whose LSB is 2, 6, A, E

X = Don't care

nWBE [3-0] / SDQM [3-0] = A means active and U means inactive

W90N740CD/W90N740CDG



Table7.2.5 Half-word access write operation with Big Endian

| ACCESS OPERATION | WRITE OPERATION (CPU REGISTER → EXTERNAL MEMORY) | | | | |
|---|--|---------------|---------------|---------------|---------------|
| | WORD | | HALF WORD | BYTE | |
| XD WIDTH | | | | | |
| BIT NUMBER CPU REG DATA | 31 0 ABCD | | 31 0 ABCD | 31 0 ABCD | |
| SA | HAL | HAU | HA | HA | |
| BIT NUMBER SD | 31 0 CD CD | 31 0 CD CD | 31 0 CD CD | 31 0 CD CD | 31 0 CD CD |
| BIT NUMBER ED | 31 0 CD CD | 31 0 CD CD | 31 0 CD CD | 7 0 C | 7 0 D |
| XA | HAL | HAL | HA | HA | HA+1 |
| NWBE [3-0] / SDQM [3-0] | AAUU | UUAA | XXAA | XXXXA | XXXXA |
| BIT NUMBER XD | 31 0 CD CD | 31 0 CD CD | 15 0 CD | 7 0 C | 7 0 D |
| BIT NUMBER EXT. MEM DATA | 31 16 CD | 15 0 CD | 15 0 CD | 7 0 C | 7 0 D |
| TIMING SEQUENCE | | | | 1st write | 2nd write |

Table7.2.6 Half-word access read operation with Big Endian

| ACCESS OPERATION | READ OPERATION (CPU REGISTER ← EXTERNAL MEMORY) | | | | |
|---|---|---------------|------------|------------|------------|
| | WORD | | HALF WORD | BYTE | |
| XD WIDTH | | | | | |
| BIT NUMBER CPU REG DATA | 15 0 AB | | 15 0 CD | 15 0 DC | |
| SA | HAL | HAU | HA | HA | |
| BIT NUMBER SD | 15 0 AB | 15 0 CD | 15 0 CD | 15 0 DC | |
| BIT NUMBER ED | 15 0 AB | 15 0 CD | 15 0 CD | 15 0 DX | 15 0 DC |
| XA | HAL | HAL | HA | HA | HA+1 |
| SDQM [3-0] | AAUU | UUAA | XXAA | XXXXA | XXXXA |
| BIT NUMBER XD | 31 0 AB CD | 31 0 AB CD | 15 0 CD | 7 0 D | 7 0 C |
| BIT NUMBER EXT. MEM DATA | 31 0 ABCD | | 15 0 CD | 7 0 D | 7 0 C |
| TIMING SEQUENCE | | | | 1st read | 2nd read |

W90N740CD/W90N740CDG



Table 7.2.7 and Table 7.2.8

Using big-endian and byte access, Program/Data path between register and external memory.

BA = Address whose LSB is 0, 1, 2, 3, 4, 5, 6, 7, 8, 9, A, B, C, D, E, F

BAL = Address whose LSB is 0, 2, 4, 6, 8, A, C, E BAU = Address whose LSB is 1, 3, 5, 7, 9, B, D, F

BA0 = Address whose LSB is 0, 4, 8, C BA1 = Address whose LSB is 1, 5, 9, D

BA2 = Address whose LSB is 2, 6, A, E BA3 = Address whose LSB is 3, 7, B, F

Table 7.2.7 Byte access write operation with Big Endian

| ACCESS OPERATION | WRITE OPERATION (CPU REGISTER → EXTERNAL MEMORY) | | | | | | |
|-------------------------|--|---------|---------|---------|-----------|---------|---------|
| XD WIDTH | WORD | | | | HALF WORD | | BYTE |
| Bit Number | 31 0 | | | | 31 0 | | 31 0 |
| CPU Reg Data | ABCD | | | | ABCD | | ABCD |
| SA | BA0 | BA1 | BA2 | BA3 | BAL | BAU | BA |
| Bit Number | 31 0 | 31 0 | 31 0 | 31 0 | 31 0 | 31 0 | 31 0 |
| SD | D D D D | D D D D | D D D D | D D D D | D D D D | D D D D | D D D D |
| Bit Number | 31 24 | 23 16 | 15 8 | 7 0 | 15 8 | 7 0 | 7 0 |
| ED | D | D | D | D | D | D | D |
| XA | BA0 | BA0 | BA0 | BA0 | BAL | BAL | BA |
| nWBE [3-0] / SDQM [3-0] | AUUU | UAUU | UUAU | UUUA | XXAU | XXUA | XXXX |
| Bit Number | 31 0 | 31 0 | 31 0 | 31 0 | 15 0 | 15 0 | 7 0 |
| XD | D X X X | X D X X | X X D X | X X X D | D X | X D | D |
| Bit Number | 31 24 | 23 16 | 15 8 | 7 0 | 15 8 | 7 0 | 7 0 |
| Ext. Mem Data | D | D | D | D | D | D | D |
| Timing Sequence | | | | | | | |

W90N740CD/W90N740CDG



Table 7.2.8 Byte access read operation with Big Endian

| ACCESS OPERATION | READ OPERATION (CPU REGISTER ← EXTERNAL MEMORY) | | | | | | |
|---|---|--------------|--------------|--------------|------------|------------|----------|
| XD WIDTH | WORD | | | | HALF WORD | | BYTE |
| BIT NUMBER CPU REG DATA | 7 0 A | 7 0 B | 7 0 C | 7 0 D | 7 0 C | 7 0 D | 7 0 D |
| SA | BA0 | BA1 | BA2 | BA3 | BAL | BAU | BA |
| BIT NUMBER SD | 7 0 A | 7 0 B | 7 0 C | 7 0 D | 7 0 C | 7 0 D | 7 0 D |
| BIT NUMBER ED | 7 0 A | 15 8 B | 23 16 C | 31 24 D | 7 0 C | 15 8 D | 7 0 D |
| XA | BA0 | BA0 | BA0 | BA0 | BAL | BAL | BA |
| SDQM [3-0] | AUUU | UAUU | UUUA | UUUA | XXAU | XXUA | XXXX |
| BIT NUMBER XD | 31 0 ABCD | 31 0 ABCD | 31 0 ABCD | 31 0 ABCD | 15 0 CD | 15 0 CD | 7 0 D |
| BIT NUMBER EXT. MEM DATA | 31 0 ABCD | | | | 15 0 CD | | 7 0 D |
| TIMING SEQUENCE | | | | | | | |

Table 7.2.9 and Table 7.2.10

Using little-endian and word access, Program/Data path between register and external memory

WA = Address whose LSB is 0, 4, 8, C X = Don't care

nWBE [3-0] / SDQM [3-0] = A means active and U means inactive

W90N740CD/W90N740CDG



Table7.2.9 Word access write operation with Little Endian

| ACCESS OPERATION | WRITE OPERATION (CPU REGISTER → EXTERNAL MEMORY) | | | | | | |
|-----------------------------|--|---------------|------------|-----------------|-----------|-----------|-----------|
| XD WIDTH | WORD | HALF WORD | | BYTE | | | |
| BIT NUMBER CPU REG DATA | 31 0 ABCD | 31 0 ABCD | | 31 0 ABCD | | | |
| SA | WA | WA | | WA | | | |
| BIT NUMBER SD | 31 0 ABCD | 31 0 AB CD | | 31 0 A B C D | | | |
| BIT NUMBER ED | 31 0 ABCD | 15 0 CD | 15 0 AB | 7 0 D | 7 0 C | 7 0 B | 7 0 A |
| XA | WA | WA | WA+2 | WA | WA+1 | WA+2 | WA+3 |
| NWBE [3-0] / SDQM [3-0] | AAAA | XXAA | XXAA | XXA | XXA | XXA | XXA |
| BIT NUMBER XD | 31 0 ABCD | 15 0 CD | 15 0 AB | 7 0 D | 7 0 C | 7 0 B | 7 0 A |
| BIT NUMBER EXT. MEM DATA | 31 0 ABCD | 15 0 CD | 15 0 AB | 7 0 D | 7 0 C | 7 0 B | 7 0 A |
| TIMING SEQUENCE | | 1st write | 2nd write | 1st write | 2nd write | 3rd write | 4th write |

Table7.2.10 Word access read operation with Little Endian

| ACCESS OPERATION | READ OPERATION (CPU REGISTER ← EXTERNAL MEMORY) | | | | | | |
|-----------------------------|---|---------------|---------------|-----------------|-----------------|-----------------|-----------------|
| XD WIDTH | WORD | HALF WORD | | BYTE | | | |
| BIT NUMBER CPU REG DATA | 31 0 ABCD | 31 0 ABCD | | 31 0 ABCD | | | |
| SA | WA | WA | | WA | | | |
| BIT NUMBER SD | 31 0 ABCD | 31 0 AB CD | | 31 0 A B C D | | | |
| BIT NUMBER ED | 31 0 ABCD | 31 0 XX CD | 31 0 AB CD | 31 0 X X X D | 31 0 X X C D | 31 0 X B C D | 31 0 A B C D |
| XA | WA | WA | WA+2 | WA | WA+1 | WA+2 | WA+3 |
| SDQM [3-0] | AAAA | XXAA | XXAA | XXA | XXA | XXA | XXA |
| BIT NUMBER XD | 31 0 ABCD | 15 0 CD | 15 0 AB | 7 0 D | 7 0 C | 7 0 B | 7 0 A |
| BIT NUMBER EXT. MEM DATA | 31 0 ABCD | 15 0 CD | 15 0 AB | 7 0 D | 7 0 C | 7 0 B | 7 0 A |
| TIMING SEQUENCE | | 1st read | 2nd read | 1st read | 2nd read | 3rd read | 4th read |

W90N740CD/W90N740CDG



Table 7.2.11 and Table 7.2.12

Using little-endian and half-word access, Program/Data path between register and external memory.

HA = Address whose LSB is 0, 2, 4, 6, 8, A, C, E HAL = Address whose LSB is 0,4,8,C

HAU = Address whose LSB is 2, 6, A, E X = Don't care

nWBE [3-0] / SDQM [3-0] = A means active and U means inactive

Table 7.2.11 Half-word access write operation with Little Endian

| ACCESS OPERATION | WRITE OPERATION (CPU REGISTER → EXTERNAL MEMORY) | | | | |
|-----------------------------|--|---------------|---------------|---------------|---------------|
| | WORD | | HALF WORD | BYTE | |
| BIT NUMBER CPU REG DATA | 31 0 ABCD | | 31 0 ABCD | 31 0 ABCD | |
| SA | HAL | HAU | HA | HA | |
| BIT NUMBER SD | 31 0 CD CD | 31 0 CD CD | 31 0 CD CD | 31 0 CD CD | 31 0 CD CD |
| BIT NUMBER ED | 31 0 CD CD | 31 0 CD CD | 31 0 CD CD | 7 0 D | 7 0 C |
| XA | HAL | HAL | HA | HA | HA+1 |
| NWBE [3-0] / SDQM [3-0] | UUAA | AAUU | XXAA | XXXXA | XXXXA |
| BIT NUMBER XD | 31 0 CD CD | 31 0 CD CD | 15 0 CD | 7 0 D | 7 0 C |
| BIT NUMBER EXT. MEM DATA | 15 0 CD | 31 16 CD | 15 0 CD | 7 0 D | 7 0 C |
| TIMING SEQUENCE | | | | 1st write | 2nd write |

Table 7.2.12 Half-word access read operation with Little Endian

| ACCESS OPERATION | READ OPERATION (CPU REGISTER ← EXTERNAL MEMORY) | | | | |
|-----------------------------|---|---------------|------------|------------|------------|
| | WORD | | HALF WORD | BYTE | |
| BIT NUMBER CPU REG DATA | 15 0 CD | 15 0 AB | 15 0 CD | 15 0 CD | |
| SA | HAL | HAU | HA | HA | |
| BIT NUMBER SD | 15 0 CD | 15 0 AB | 15 0 CD | 15 0 CD | |
| BIT NUMBER ED | 15 0 CD | 15 0 AB | 15 0 CD | 15 0 XD | 15 0 CD |
| XA | HAL | HAL | HA | HA | HA+1 |
| SDQM [3-0] | UUAA | AAUU | XXAA | XXXXA | XXXXA |
| BIT NUMBER XD | 31 0 AB CD | 31 0 AB CD | 15 0 CD | 7 0 D | 7 0 C |
| BIT NUMBER EXT. MEM DATA | 31 0 ABCD | | 15 0 CD | 7 0 D | 7 0 C |
| TIMING SEQUENCE | | | | 1st read | 2nd read |

W90N740CD/W90N740CDG



Table 7.2.13 and Table 7.2.14

Using little-endian and byte access, Program/Data path between register and external memory.

BA = Address whose LSB is 0, 1, 2, 3, 4, 5, 6, 7, 8, 9, A, B, C, D, E, F

BAL = Address whose LSB is 0, 2, 4, 6, 8, A, C, E BAU = Address whose LSB is 1, 3, 5, 7, 9, B, D, F

BA0 = Address whose LSB is 0, 4, 8, C BA1 = Address whose LSB is 1, 5, 9, D

BA2 = Address whose LSB is 2, 6, A, E BA3 = Address whose LSB is 3, 7, B, F

Table 7.2.13 Byte access write operation with Little Endian

| ACCESS OPERATION | WRITE OPERATION (CPU REGISTER → EXTERNAL MEMORY) | | | | | | |
|------------------------------------|--|---------|---------|---------|-----------|---------|---------|
| | WORD | | | | HALF WORD | | BYTE |
| XD WIDTH | | | | | | | |
| BIT NUMBER | 31 0 | | | | 31 0 | | 31 0 |
| CPU REG DATA | ABCD | | | | ABCD | | ABCD |
| SA | BA0 | BA1 | BA2 | BA3 | BAL | BAU | BA |
| BIT NUMBER | 31 0 | 31 0 | 31 0 | 31 0 | 31 0 | 31 0 | 31 0 |
| SD | D D D D | D D D D | D D D D | D D D D | D D D D | D D D D | D D D D |
| BIT NUMBER | 7 0 | 15 8 | 23 16 | 31 24 | 7 0 | 15 8 | 7 0 |
| ED | D | D | D | D | D | D | D |
| XA | BA0 | BA0 | BA0 | BA0 | BAL | BAL | BA |
| NWBE [3-0] / SDQM [3-0] | UUUA | UUAU | UAUU | AUUU | XXUA | XXAU | XXXX |
| BIT NUMBER | 31 0 | 31 0 | 31 0 | 31 0 | 15 0 | 15 0 | 7 0 |
| XD | X X X D | X X D X | X D X X | D X X X | X D | D X | D |
| BIT NUMBER | 7 0 | 15 8 | 23 16 | 31 24 | 7 0 | 15 8 | 7 0 |
| EXT. MEM DATA | D | D | D | D | D | D | D |
| TIMING SEQUENCE | | | | | | | |



Table 7.2.14 Byte access read operation with Little Endian

| ACCESS OPERATION | READ OPERATION (CPU REGISTER ← EXTERNAL MEMORY) | | | | | | |
|---|---|--------------|--------------|--------------|------------|------------|----------|
| XD WIDTH | WORD | | | | HALF WORD | | BYTE |
| BIT NUMBER CPU REG DATA | 7 0 D | 7 0 C | 7 0 B | 7 0 A | 7 0 D | 7 0 C | 7 0 D |
| SA | BA0 | BA1 | BA2 | BA3 | BAL | BAU | BA |
| BIT NUMBER SD | 7 0 D | 7 0 C | 7 0 B | 7 0 A | 7 0 D | 7 0 C | 7 0 D |
| BIT NUMBER ED | 7 0 D | 7 0 C | 7 0 B | 7 0 A | 7 0 D | 7 0 C | 7 0 D |
| XA | BA0 | BA0 | BA0 | BA0 | BAL | BAL | BA |
| SDQM [3-0] | UUUA | UUAU | UAUU | AUUU | XXUA | XXAU | XXXA |
| BIT NUMBER XD | 31 0 ABCD | 31 0 ABCD | 31 0 ABCD | 31 0 ABCD | 15 0 CD | 15 0 CD | 7 0 D |
| BIT NUMBER EXT. MEM DATA | 31 0 ABCD | | | | 15 0 CD | | 7 0 D |
| TIMING SEQUENCE | | | | | | | |

7.2.5 Bus Arbitration

The W90N740's internal function blocks or external devices can request mastership of the system bus and then hold the system bus in order to perform data transfers. The design of W90N740 bus allows only one bus master at a time, a bus controller is required to arbitrate when two or more internal units or external devices simultaneously request bus mastership. When bus mastership is granted to an internal function block or an external device, other pending requests are not acknowledged until the previous bus master has released the bus.

W90N740 supports two priority modes, the **Fixed Priority Mode** and the **Rotate Priority Mode**, depends on the **PRTMOD** bit setting.

7.2.5.1. Fixed Priority Mode

In **Fixed Priority Mode** (**PRTMOD** = 0, default value), to facilitate bus arbitration, priorities are assigned to each internal W90N740 function block. The bus controller arbitration requests for the bus mastership according to these fixed priorities. In the event of contention, mastership is granted to the function block with the highest assigned priority. These priorities are listed in Table 7.2.15.

W90N740 allows raising ARM Core priority to second if an unmasked interrupt occurred. If **IPEN** bit, Bit 22 of the **Arbitration Control Register (ARBCON)**, is set to "0", the priority of ARM Core is fixed to lowest. If **IPEN** bit is set to "1" and if no unmasked interrupt request, then the ARM Core's priority is still lowest and the **IPACT** = 0, Bit 23 of the **Arbitration Control Register (ARBCON)** ; If there is an unmasked interrupt request, then the ARM Core's priority is raised to second and **IPACT** = 1.



If **IPEN** is set, an interrupt handler will normally clear **IPACT** at the end of the interrupt routine to allow an alternate bus master to regain the bus; however, if **IPEN** is cleared, no additional action need be taken in the interrupt handler. The **IPACT** bit can be read and write. Writing with “0”, the **IPACT** bit is cleared, but it will be no effect as writing with “1”.

Table 7.2.15 Bus Priorities for Arbitration in Fixed Priority Mode

| BUS PRIORITY | FUNCTION BLOCK | |
|-----------------|---------------------|------------------------|
| | IPACT = 0 | IPEN = 1 AND IPACT = 1 |
| 1 (HIGHEST) | External Bus Master | External Bus Master |
| 2 | NAT Accelerator | ARM Core |
| 3 | General DMA0 | NAT Accelerator |
| 4 | General DMA1 | General DMA0 |
| 5 | EMC0 DMA | General DMA1 |
| 6 | EMC1 DMA | EMC0 DMA |
| 7 | USB (Host) | EMC1 DMA |
| 8 (LOWEST) | ARM Core | USB (Host) |

7.2.5.2. Rotate Priority Mode

In **Rotate Priority Mode** (**PRTMOD** = 1), the **IPEN** and **IPACT** bits have no function (i.e. ignore). W90N740 used a round robin arbitration scheme ensures that all bus masters (except the **External Bus Master**, it always has the first priority) have equal chance to gain the bus and that a retracted master does not lock up the bus.

7.2.6 Power-On Setting

After power on reset, there are four Power-On setting pins to configure W90N740 system configuration.

| POWER-ON SETTING | PIN |
|-------------------------------|-----------|
| Internal System Clock Select | D15 |
| Little/Big Endian Mode Select | D14 |
| Boot ROM/FLASH Data Bus Width | D [13:12] |

D15 pin : Internal System Clock Select

If pin D15 is pull-down, the external clock from EXTAL pin is served as internal system clock.

If pin D15 is pull-up, the PLL output clock is used as internal system clock.

D14 pin : Little/Big Endian Mode Select

If pin D14 is pull-down, the external memory format is Big Endian mode.

If pin D14 is pull-up, the external memory format is Little Endian mode.

W90N740CD/W90N740CDG



D [13:12] : Boot ROM/FLASH Data Bus Width

| D [13:12] | | BUS WIDTH |
|-----------|-----------|-----------|
| Pull-down | Pull-down | 8-bit |
| Pull-down | Pull-up | 16-bit |
| Pull-up | Pull-down | 32-bit |
| Pull-up | Pull-up | RESERVED |

Note: Related Power-On Setting Pin

D [11:10] :

| D [15] | D [11:10] | DESCRIPTION |
|---------|-----------|--------------------------|
| Pull-up | Pull High | W90N740 normal operation |

D [9:8] :

| D [9:8] | |
|---------|---------|
| Pull-up | Pull-up |

7.2.7 System Manager Control Registers Map

| REGISTER | ADDRESS | R/W | DESCRIPTION | RESET VALUE |
|----------|--------------|-----|------------------------------|-------------|
| PDID | 0xFFFF0.0000 | R | Product Identifier Register | 0xX090.0740 |
| ARBCON | 0xFFFF0.0004 | R/W | Arbitration Control Register | 0x0000.0000 |
| PLLCON | 0xFFFF0.0008 | R/W | PLL Control Register | 0x0000.2F01 |
| CLKSEL | 0xFFFF0.000C | R/W | Clock Select Register | 0x0000.3FX8 |

Product Identifier Register (PDID)

This register is for read only and enables software to recognize certain characteristics of the chip ID and the version number.

| REGISTER | ADDRESS | R/W | DESCRIPTION | RESET VALUE |
|----------|--------------|-----|-----------------------------|-------------|
| PDID | 0xFFFF0.0000 | R | Product Identifier Register | 0xX090.0740 |

| | | | | | | | |
|---------|----|----|----|----|----|----|----|
| 31 | 30 | 29 | 28 | 27 | 26 | 25 | 24 |
| PACKAGE | | 1 | | | | | |
| 23 | 22 | 21 | 20 | 19 | 18 | 17 | 16 |
| CHPID | | | | | | | |
| 15 | 14 | 13 | 12 | 11 | 10 | 9 | 8 |
| CHPID | | | | | | | |
| 7 | 6 | 5 | 4 | 3 | 2 | 1 | 0 |
| CHPID | | | | | | | |

W90N740CD/W90N740CDG



PACKAGE [31:30] Package Type

| PACKAGE [31:30] | BUS WIDTH |
|-----------------|-----------------|
| 1 | 176-pin Package |

CHPID [23:0]: Chip identifier

The Chip identifier of W90N740 is 0x90.0740

Arbitration Control Register (ARBCON)

| REGISTER | ADDRESS | R/W | DESCRIPTION | RESET VALUE |
|----------|--------------|-----|------------------------------|-------------|
| ARBCON | 0xFFFF0.0004 | R/W | Arbitration Control Register | 0x0000.0000 |

| | | | | | | | |
|----------|----|----|----|----|-------|------|--------|
| 31 | 30 | 29 | 28 | 27 | 26 | 25 | 24 |
| RESERVED | | | | | | | |
| 23 | 22 | 21 | 20 | 19 | 18 | 17 | 16 |
| RESERVED | | | | | | | |
| 15 | 14 | 13 | 12 | 11 | 10 | 9 | 8 |
| RESERVED | | | | | | | |
| 7 | 6 | 5 | 4 | 3 | 2 | 1 | 0 |
| RESERVED | | | | | IPACT | IPEN | PRTMOD |

IPACT [2] : Interrupt priority active

When **IPEN**="1", this bit is set when the ARM core has an unmasked interrupt request.

This bit is available only when the **PRTMOD** = 0.

IPEN [1] : Interrupt priority enable bit

0 = the ARM core has the lowest priority.

1 = enable to raise the ARM core priority to second

This bit is available only when the **PRTMOD** = 0.

PRTMOD [0] : Priority mode select

0 = Fixed Priority Mode (default)

1 = Rotate Priority Mode

W90N740CD/W90N740CDG



PLL Control Register (PLLCON)

W90N740 provides two options for clock generation - crystal and oscillator.

The external clock via **EXTAL** input pin as the reference clock input of **PLL** module. The external clock can bypass the **PLL** and be used to the internal system clock by pull-down the data D15 pin. Using **PLL**'s output clock for the internal system clock, D15 pin must be pull-up.

| REGISTER | ADDRESS | R/W | DESCRIPTION | RESET VALUE |
|----------|--------------|-----|----------------------|-------------|
| PLLCON | 0xFFFF0.0008 | R/W | PLL Control Register | 0x0000.2F01 |

| | | | | | | | |
|----------|------|----|------|----|----|----|-------|
| 31 | 30 | 29 | 28 | 27 | 26 | 25 | 24 |
| RESERVED | | | | | | | |
| 23 | 22 | 21 | 20 | 19 | 18 | 17 | 16 |
| RESERVED | | | | | | | PWDEN |
| 15 | 14 | 13 | 12 | 11 | 10 | 9 | 8 |
| FBDV | | | | | | | |
| 7 | 6 | 5 | 4 | 3 | 2 | 1 | 0 |
| FBDV | OTDV | | INDV | | | | |

PWDEN [16] : Power down mode enable

0 = PLL is in normal mode (default)

1 = PLL is in power down mode

FBDV [15:7] : PLL VCO output clock feedback divider

Feedback Divider divides the output clock from VCO of PLL.

OTDV [6:5] : PLL output clock divider

| OTDV [6:5] | | DIVIDED BY |
|------------|---|------------|
| 0 | 0 | 1 |
| 0 | 1 | 2 |
| 1 | 0 | 2 |
| 1 | 1 | 4 |

INDV [4:0] : PLL input clock divider

Input Divider divides the input reference clock into the PLL.

W90N740CD/W90N740CDG

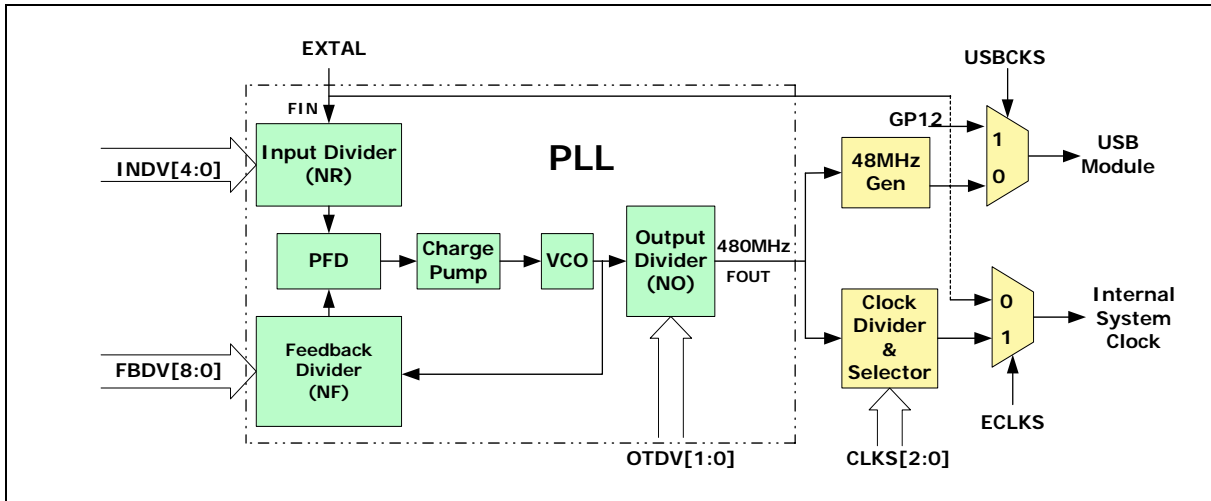


Fig 7.2.6 System PLL block diagram

The formula of output clock of PLL is:

$$F_{OUT} = F_{IN} * \frac{NF}{NR} * \frac{1}{NO}$$

F_{OUT} : Output clock of **Output Divider**

F_{IN} : External clock into the **Input Divider**

NR : Input divider value (NR = INDV + 2)

NF : Feedback divider value (NF = FBDV + 2)

NO : Output divider value (NO = OTDV)

Clock Select Register (CLKSEL)

| REGISTER | ADDRESS | R/W | DESCRIPTION | RESET VALUE |
|----------|-------------|-----|-----------------------|-------------|
| CLKSEL | 0xFFF0.000C | R/W | Clock Select Register | 0x0000.3FX8 |

| 31 | 30 | 29 | 28 | 27 | 26 | 25 | 24 |
|----------|----------|------|-------|------|------|------|-------|
| RESERVED | | | | | | | |
| 23 | 22 | 21 | 20 | 19 | 18 | 17 | 16 |
| RESERVED | | | | | | | |
| 15 | 14 | 13 | 12 | 11 | 10 | 9 | 8 |
| USBCKS | RESERVED | GDMA | NATA | EMC1 | EMC0 | WDTS | WDT |
| 7 | 6 | 5 | 4 | 3 | 2 | 1 | 0 |
| USB | TIMER | UART | ECLKS | CLKS | | | RESET |



USBCKS [15] : USB clock source Select bit

0 = USB clock 48MHz input from internal PLL (480MHz/10)

1 = USB clock 48MHz input from external GP12 pin, this GPIO pin direction must set to input.

GDMA [13] : GDMA clock enable bit

0 = Disable GDMA clock

1 = Enable GDMA clock

NATA [12] : NATA clock enable bit

0 = Disable NATA clock

1 = Enable NATA clock

EMC1 [11] : EMC1 clock enable bit

0 = Disable EMC1 clock

1 = Enable EMC1 clock

EMC0 [10] : EMC0 clock enable bit

0 = Disable EMC0 clock

1 = Enable EMC0 clock

WDTS [9] : WDTS clock selected bit

0 = Clock from EXTAL pin is used as WDT counting clock

1 = Clock from EXTAL pin is divided by 256, which is used as WDT counting clock

WDT [8] : WDT clock enable bit

0 = Disable WDT counting clock

1 = Enable WDT counting clock

USB [7] : USB clock enable bit

0 = Disable USB clock

1 = Enable USB clock

TIMER [6] : Timer clock enable bit

0 = Disable Timer clock

1 = Enable Timer clock

UART [5] : UART clock enable bit

0 = Disable UART clock

1 = Enable UART clock



ECLKS [4] : External clock select

0 = External clock from EXTAL pin is used as system clock

1 = PLL output clock is used as system clock

After power on reset, the content of **ECLKS** is the Power-On Setting value. You can program this bit to change the system clock source.

CLKS [3:1] : PLL output clock select

| CLKS [3:1] | | | PLL OUTPUT CLOCK |
|------------|---|---|------------------|
| 0 | 0 | 0 | 58.594 KHz* |
| 0 | 0 | 1 | 24 MHz |
| 0 | 1 | 0 | 48 MHz |
| 0 | 1 | 1 | 60 MHz |
| 1 | 0 | 0 | 80 MHz |
| 1 | 0 | 1 | RESERVED |
| 1 | 1 | 0 | RESERVED |
| 1 | 1 | 1 | RESERVED |

When 24MHz ~ 120MHz is setting, the ECLKS bit is needed to set on PLL output clock mode (logic 1).

*About 58.594KHz setting, two steps are needed.

First step, the ECLKS bit is set to External Clock mode (logic 0, 15MHz), then set CLKS bits to 0.

RESET [0] : Reset

This is a software reset control bit. Set logic 1 to generate an internal reset pulse. This bit is auto-clear to logic 0 at the end of the reset pulse.

7.3 External Bus Interface (EBI)

7.3.1 EBI Overview

External Bus Interface (**EBI**) controls the access to the external memory (ROM/SDRAM/FLASH, SDRAM) and External I/O devices. The **EBI** has seven chip selects to select one ROM/FLASH bank, two SDRAM banks, and four External I/O banks and 25-bit address bus. It supports 8-bit, 16-bit, and 32-bit external data bus width for each bank.

The Features of the EBI :

- External I/O Control with 8/16/32 bit external data bus
- Cost-effective memory-to-peripheral DMA interface
- SDRAM Controller supports up to 2 external SDRAM & the maximum size of each device is 32MB
- ROM/FLASH & External I/O interface
- Support for PCMCIA 16-bit PC Card devices



7.3.2 SDRAM Controller

The W90N740's SDRAM Controller contains configuration registers, timing control registers, common control register and other logic. The SDRAM Controller provides 8/16/32 bits SDRAM interface with a single 8/16/32 bits SDRAM device or two 8-bit devices wired to give a 16-bit data path or two 16-bit devices wired to give a 32-bit data path. The maximum memory size of each bank is 32MB(Mbytes). One of two banks can be connected to the SDRAM interface, so the maximum memory can be up to 64MB.

The Features of the SDRAM Controller :

- 8/16/32-bit data interface
- Supports up to 2 external SDRAM devices and Maximum size of each device is 32MB
- Programmable CAS Latency : 1 、 2 and 3
- Fixed Burst Length : 1
- Sequential burst type
- Write Burst Length mode is Burst
- Auto Refresh Mode and Self Refresh Mode
- Adjustable Refresh Rate
- Power up sequence

7.3.2.1. SDRAM Components Supported

- 16M bit SDRAM
 - 2Mx8 with 2 banks ; RA0 ~ RA10, CA0 ~ CA8
 - 1Mx16 with 2 banks ; RA0 ~ RA10, CA0 ~ CA7
- 64M bit SDRAM
 - 8Mx8 with 4 banks ; RA0 ~ RA11, CA0 ~ CA8
 - 4Mx16 with 4 banks ; RA0 ~ RA11, CA0 ~ CA7
 - 2Mx32 with 4 banks ; RA0 ~ RA10, CA0 ~ CA7
- 128M bit SDRAM
 - 16Mx8 with 4 banks ; RA0 ~ RA11, CA0 ~ CA9
 - 8Mx16 with 4 banks ; RA0 ~ RA11, CA0 ~ CA8
 - 4Mx32 with 4 banks ; RA0 ~ RA11, CA0 ~ CA7
- 256M bit SDRAM
 - 32Mx8 with 4 banks ; RA0 ~ RA12, CA0 ~ CA9
 - 16Mx16 with 4 banks ; RA0 ~ RA12, CA0 ~ CA8

7.3.2.2. AHB Bus Address Mapping to SDRAM Bus

Note: * indicates the signal is not used; ** indicates the signal is fixed at logic 0 and is not used;

The HADDR prefixes have been omitted on the following tables.

A14 ~ A0 are the Address pins of the W90N740 EBI interface;

A14 and A13 are the Bank Selected Signal of SDRAM.

W90N740CD/W90N740CDG



SDRAM Data Bus Width: 32-bit

| Total | Type | R x C | R/C | A14 (BS1) | A13 (BS0) | A12 | A11 | A10 | A9 | A8 | A7 | A6 | A5 | A4 | A3 | A2 | A1 | A0 |
|-------|--------|-------|-----|-----------|-----------|-----|-----|-----|-----|-----|----|----|----|----|----|----|----|----|
| 16M | 2Mx8 | 11x9 | R | ** | 11 | ** | 11* | 22 | 21 | 20 | 19 | 18 | 17 | 16 | 15 | 14 | 13 | 12 |
| | | | C | ** | 11 | ** | 11* | AP | 25* | 10 | 9 | 8 | 7 | 6 | 5 | 4 | 3 | 2 |
| 16M | 1Mx16 | 11x8 | R | ** | 10 | ** | 10* | 11 | 21 | 20 | 19 | 18 | 17 | 16 | 15 | 14 | 13 | 12 |
| | | | C | ** | 10 | ** | 10* | AP | 25* | 10* | 9 | 8 | 7 | 6 | 5 | 4 | 3 | 2 |
| 64M | 8Mx8 | 12x9 | R | 11 | 12 | 11* | 23 | 22 | 21 | 20 | 19 | 18 | 17 | 16 | 15 | 14 | 13 | 24 |
| | | | C | 11 | 12 | 11* | 23* | AP | 25* | 10 | 9 | 8 | 7 | 6 | 5 | 4 | 3 | 2 |
| 64M | 4Mx16 | 12x8 | R | 11 | 10 | 11* | 23 | 22 | 21 | 20 | 19 | 18 | 17 | 16 | 15 | 14 | 13 | 12 |
| | | | C | 11 | 10 | 11* | 23* | AP | 25* | 24* | 9 | 8 | 7 | 6 | 5 | 4 | 3 | 2 |
| 64M | 2Mx32 | 11x8 | R | 11 | 10 | 11* | 23* | 22 | 21 | 20 | 19 | 18 | 17 | 16 | 15 | 14 | 13 | 12 |
| | | | C | 11 | 10 | 11* | 23* | AP | 25* | 24* | 9 | 8 | 7 | 6 | 5 | 4 | 3 | 2 |
| 128M* | 16Mx8 | 12x10 | R | 11 | 12 | 11* | 23 | 22 | 21 | 20 | 19 | 18 | 17 | 16 | 15 | 14 | 13 | 24 |
| | | | C | 11 | 12 | 11* | 23* | AP | 25 | 10 | 9 | 8 | 7 | 6 | 5 | 4 | 3 | 2 |
| 128M | 8Mx16 | 12x9 | R | 11 | 12 | 11* | 23 | 22 | 21 | 20 | 19 | 18 | 17 | 16 | 15 | 14 | 13 | 24 |
| | | | C | 11 | 12 | 11* | 23* | AP | 25* | 10 | 9 | 8 | 7 | 6 | 5 | 4 | 3 | 2 |
| 128M | 4Mx32 | 12x8 | R | 11 | 10 | 11* | 23 | 22 | 21 | 20 | 19 | 18 | 17 | 16 | 15 | 14 | 13 | 12 |
| | | | C | 11 | 10 | 11* | 23* | AP | 25* | 10* | 9 | 8 | 7 | 6 | 5 | 4 | 3 | 2 |
| 256M* | 32Mx8 | 13x10 | R | 11 | 12 | 24 | 23 | 22 | 21 | 20 | 19 | 18 | 17 | 16 | 15 | 14 | 13 | 25 |
| | | | C | 11 | 12 | 24* | 23* | AP | 26* | 10 | 9 | 8 | 7 | 6 | 5 | 4 | 3 | 2 |
| 256M* | 16Mx16 | 13x9 | R | 11 | 12 | 24 | 23 | 22 | 21 | 20 | 19 | 18 | 17 | 16 | 15 | 14 | 13 | 25 |
| | | | C | 11 | 12 | 24* | 23* | AP | 26* | 10* | 9 | 8 | 7 | 6 | 5 | 4 | 3 | 2 |

W90N740CD/W90N740CDG



SDRAM Data Bus Width: 16-bit

| Total | Type | R x C | R/C | A14 (BS1) | A13 (BS0) | A12 | A11 | A10 | A9 | A8 | A7 | A6 | A5 | A4 | A3 | A2 | A1 | A0 |
|-------|--------|-------|-----|-----------|-----------|-----|-----|-----|-----|-----|----|----|----|----|----|----|----|----|
| 16M | 2Mx8 | 11x9 | R | ** | 10 | ** | 10* | 21 | 20 | 19 | 18 | 17 | 16 | 15 | 14 | 13 | 12 | 11 |
| | | | C | ** | 10 | ** | 10* | AP | 24* | 9 | 8 | 7 | 6 | 5 | 4 | 3 | 2 | 1 |
| 16M | 1Mx16 | 11x8 | R | ** | 9 | ** | 9* | 10 | 20 | 19 | 18 | 17 | 16 | 15 | 14 | 13 | 12 | 11 |
| | | | C | ** | 9 | ** | 9* | AP | 24* | 9* | 8 | 7 | 6 | 5 | 4 | 3 | 2 | 1 |
| 64M | 8Mx8 | 12x9 | R | 10 | 11 | 10* | 22 | 21 | 20 | 19 | 18 | 17 | 16 | 15 | 14 | 13 | 12 | 23 |
| | | | C | 10 | 11 | 10* | 22* | AP | 24* | 9 | 8 | 7 | 6 | 5 | 4 | 3 | 2 | 1 |
| 64M | 4Mx16 | 12x8 | R | 10 | 9 | 10* | 22 | 21 | 20 | 19 | 18 | 17 | 16 | 15 | 14 | 13 | 12 | 11 |
| | | | C | 10 | 9 | 10* | 22* | AP | 24* | 23* | 8 | 7 | 6 | 5 | 4 | 3 | 2 | 1 |
| 64M | 2Mx32 | 11x8 | R | 10 | 9 | 10* | 22* | 21 | 20 | 19 | 18 | 17 | 16 | 15 | 14 | 13 | 12 | 11 |
| | | | C | 10 | 9 | 10* | 22* | AP | 24* | 23* | 8 | 7 | 6 | 5 | 4 | 3 | 2 | 1 |
| 128M | 16Mx8 | 12x10 | R | 10 | 11 | 10* | 22 | 21 | 20 | 19 | 18 | 17 | 16 | 15 | 14 | 13 | 12 | 23 |
| | | | C | 10 | 11 | 10* | 22* | AP | 24 | 9 | 8 | 7 | 6 | 5 | 4 | 3 | 2 | 1 |
| 128M | 8Mx16 | 12x9 | R | 10 | 11 | 10* | 22 | 21 | 20 | 19 | 18 | 17 | 16 | 15 | 14 | 13 | 12 | 23 |
| | | | C | 10 | 11 | 10* | 22* | AP | 24* | 9 | 8 | 7 | 6 | 5 | 4 | 3 | 2 | 1 |
| 128M | 4Mx32 | 12x8 | R | 10 | 9 | 10* | 22 | 21 | 20 | 19 | 18 | 17 | 16 | 15 | 14 | 13 | 12 | 11 |
| | | | C | 10 | 9 | 10* | 22* | AP | 24* | 9* | 8 | 7 | 6 | 5 | 4 | 3 | 2 | 1 |
| 256M* | 32Mx8 | 13x10 | R | 10 | 11 | 23 | 22 | 21 | 20 | 19 | 18 | 17 | 16 | 15 | 14 | 13 | 12 | 24 |
| | | | C | 10 | 11 | 23* | 22* | AP | 25* | 9 | 8 | 7 | 6 | 5 | 4 | 3 | 2 | 1 |
| 256M | 16Mx16 | 13x9 | R | 10 | 11 | 23 | 22 | 21 | 20 | 19 | 18 | 17 | 16 | 15 | 14 | 13 | 12 | 24 |
| | | | C | 10 | 11 | 23* | 22* | AP | 25* | 9 | 8 | 7 | 6 | 5 | 4 | 3 | 2 | 1 |

W90N740CD/W90N740CDG



SDRAM Data Bus Width: 8-bit

| Total | Type | R x C | R/C | A14 (BS1) | A13 (BS0) | A12 | A11 | A10 | A9 | A8 | A7 | A6 | A5 | A4 | A3 | A2 | A1 | A0 |
|-------|--------|-------|-----|-----------|-----------|-----|-----|-----|-----|-----|----|----|----|----|----|----|----|----|
| 16M | 2Mx8 | 11x9 | R | ** | 9 | ** | 9* | 20 | 19 | 18 | 17 | 16 | 15 | 14 | 13 | 12 | 11 | 10 |
| | | | C | ** | 9 | ** | 9* | AP | 23* | 8 | 7 | 6 | 5 | 4 | 3 | 2 | 1 | 0 |
| 16M | 1Mx16 | 11x8 | R | ** | 8 | ** | 8* | 9 | 19 | 18 | 17 | 16 | 15 | 14 | 13 | 12 | 11 | 10 |
| | | | C | ** | 8 | ** | 8* | AP | 23* | 8* | 7 | 6 | 5 | 4 | 3 | 2 | 1 | 0 |
| 64M | 8Mx8 | 12x9 | R | 9 | 10 | 9* | 21 | 20 | 19 | 18 | 17 | 16 | 15 | 14 | 13 | 12 | 11 | 22 |
| | | | C | 9 | 10 | 9* | 21* | AP | 23* | 8 | 7 | 6 | 5 | 4 | 3 | 2 | 1 | 1 |
| 64M | 4Mx16 | 12x8 | R | 9 | 8 | 9* | 21 | 20 | 19 | 18 | 17 | 16 | 15 | 14 | 13 | 12 | 11 | 10 |
| | | | C | 9 | 8 | 9* | 21* | AP | 23* | 22* | 7 | 6 | 5 | 4 | 3 | 2 | 1 | 0 |
| 64M | 2Mx32 | 11x8 | R | 9 | 8 | 9* | 21* | 20 | 19 | 18 | 17 | 16 | 15 | 14 | 13 | 12 | 11 | 10 |
| | | | C | 9 | 8 | 9* | 21* | AP | 23* | 22* | 7 | 6 | 5 | 4 | 3 | 2 | 1 | 0 |
| 128M | 16Mx8 | 12x10 | R | 9 | 10 | 9* | 21 | 20 | 19 | 18 | 17 | 16 | 15 | 14 | 13 | 12 | 11 | 22 |
| | | | C | 9 | 10 | 9* | 21* | AP | 23 | 8 | 7 | 6 | 5 | 4 | 3 | 2 | 1 | 0 |
| 128M | 8Mx16 | 12x9 | R | 9 | 10 | 9* | 21 | 20 | 19 | 18 | 17 | 16 | 15 | 14 | 13 | 12 | 11 | 22 |
| | | | C | 9 | 10 | 9* | 21* | AP | 23* | 8 | 7 | 6 | 5 | 4 | 3 | 2 | 1 | 0 |
| 128M | 4Mx32 | 12x8 | R | 9 | 8 | 9* | 21 | 20 | 19 | 18 | 17 | 16 | 15 | 14 | 13 | 12 | 11 | 10 |
| | | | C | 9 | 8 | 9* | 21* | AP | 23* | 8* | 7 | 6 | 5 | 4 | 3 | 2 | 1 | 0 |
| 256M | 32Mx8 | 13x10 | R | 9 | 10 | 22 | 21 | 20 | 19 | 18 | 17 | 16 | 15 | 14 | 13 | 12 | 11 | 23 |
| | | | C | 9 | 10 | 22* | 21* | AP | 24 | 8 | 7 | 6 | 5 | 4 | 3 | 2 | 1 | 0 |
| 256M | 16Mx16 | 13x9 | R | 9 | 10 | 22 | 21 | 20 | 19 | 18 | 17 | 16 | 15 | 14 | 13 | 12 | 11 | 23 |
| | | | C | 9 | 10 | 22* | 21* | AP | 24* | 8 | 7 | 6 | 5 | 4 | 3 | 2 | 1 | 0 |

W90N740CD/W90N740CDG



SDRAM Power Up Sequence

The default value of the mode register is not defined, therefore the mode register must be written after power up to operate the SDRAM. W90N740 supports the function of Power Up Sequence, that is, after system power on the W90N740 SDRAM Controller automatically executes the commands needed for Power Up Sequence and set the mode register of each bank to default value. The default value is:

- Burst Length = 1
- Burst Type = Sequential (fixed)
- CAS Latency = 2
- Write Burst Length = Burst (fixed)

The value of mode register can be changed after power up sequence by setting the value of corresponding bank's configuration register "LENGTH" and "LATENCY" bits and set the MRSET bit enable to execute the Mode Register Set command.

7.3.2.3. SDRAM Interface

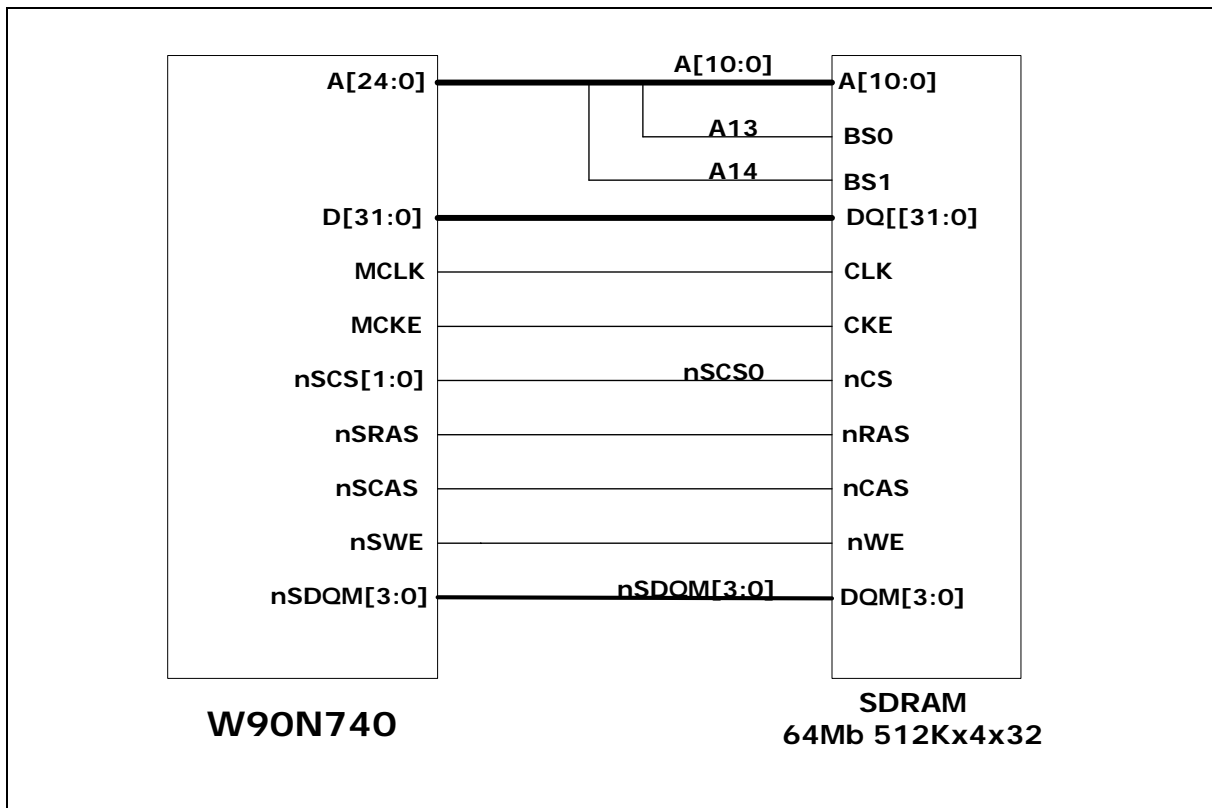


Fig 7.3.1 SDRAM Interface

W90N740CD/W90N740CDG



7.3.3 External Bus Mastership

The W90N740 can receive and acknowledge bus request signals that are generated by an external bus master. When the CPU asserts an external bus acknowledge signal, mastership is granted to the external bus master, assuming the external bus request is still active.

When the external bus acknowledge signal is active, the W90N740's memory interface signals go to high impedance state so that the external bus master can drive the required external memory interface signals.

The W90N740 does not perform SDRAM refreshes when it is not the bus master. When an external bus master is in control of the external bus, and if it retains control for a long period of time, it must assume the responsibility of performing the necessary SDRAM refresh operations.

7.3.4 EBI Control Registers Map

| REGISTER | ADDRESS | R/W | DESCRIPTION | RESET VALUE |
|----------|--------------|-----|--------------------------------------|-------------|
| EBICON | 0xFFFF0.1000 | R/W | EBI control register | 0x0001.0000 |
| ROMCON | 0xFFFF0.1004 | R/W | ROM/FLASH control register | 0x0000.0XFC |
| SDCONF0 | 0xFFFF0.1008 | R/W | SDRAM bank 0 configuration register | 0x0000.0800 |
| SDCONF1 | 0xFFFF0.100C | R/W | SDRAM bank 1 configuration register | 0x0000.0800 |
| SDDTIME0 | 0xFFFF0.1010 | R/W | SDRAM bank 0 timing control register | 0x0000.0000 |
| SDDTIME1 | 0xFFFF0.1014 | R/W | SDRAM bank 1 timing control register | 0x0000.0000 |
| EXT0CON | 0xFFFF0.1018 | R/W | External I/O 0 control register | 0x0000.0000 |
| EXT1CON | 0xFFFF0.101C | R/W | External I/O 1 control register | 0x0000.0000 |
| EXT2CON | 0xFFFF0.1020 | R/W | External I/O 2 control register | 0x0000.0000 |
| EXT3CON | 0xFFFF0.1024 | R/W | External I/O 3 control register | 0x0000.0000 |
| CKSKEW | 0xFFFF0.1F00 | R/W | Clock skew control register | 0xXXXX.0038 |

EBI Control Register (EBICON)

| REGISTER | ADDRESS | R/W | DESCRIPTION | RESET VALUE |
|----------|--------------|-----|----------------------|-------------|
| EBICON | 0xFFFF0.1000 | R/W | EBI control register | 0x0001.0000 |

| 31 | 30 | 29 | 28 | 27 | 26 | 25 | 24 |
|----------|----|----|----|----|--------|--------|--------|
| RESERVED | | | | | | | |
| 23 | 22 | 21 | 20 | 19 | 18 | 17 | 16 |
| RESERVED | | | | | REFEN | REFMOD | CLKEN |
| 15 | 14 | 13 | 12 | 11 | 10 | 9 | 8 |
| REFRAT | | | | | | | |
| 7 | 6 | 5 | 4 | 3 | 2 | 1 | 0 |
| REFRAT | | | | | WAITVT | | LITTLE |



REFEN [18]: Enable SDRAM refresh cycle for SDRAM bank0 & bank1

This bit set will start the auto-refresh cycle to SDRAM. The refresh rate is according to REFRAT bits.

REFMOD [17]: The refresh mode of SDRAM for SDRAM bank

Defines the refresh mode type of external SDRAM bank

0 = Auto refresh mode

1 = Self refresh mode

CLKEN [16]: Clock enable for SDRAM

Enables the SDRAM clock enable (CKE) control signal

0 = Disable (power down mode)

1 = Enable (Default)

REFRAT [15:3]: Refresh count value for SDRAM

The refresh period is calculated as $period = \frac{value}{fMCLK}$

The SDRAM Controller automatically provides an auto refresh cycle for every refresh period programmed into the REFRAT bits when the REFEN bit of each bank is set.

WAITVT [2:1]: Valid time of nWAIT signal

W90N740 recognizes the nEWAIT signal at the next "nth" MCLK rising edge after the nOE or nWBE active cycle. WAITVT bits determine the n.

| WAITVT [2:1] | | nth MCLK |
|--------------|---|----------|
| 0 | 0 | 1 |
| 0 | 1 | 2 |
| 1 | 0 | 3 |
| 1 | 1 | 4 |

LITTLE [0] : Read only, Little Endian mode

0 = EBI memory format is Big Endian mode

1 = EBI memory format is Little Endian mode

After power on reset, the content of LITTLE is the Power-On Setting value from D14 pin.

If pin D14 is pull-down, the external memory format is Big Endian mode.

If pin D14 is pull-up, the external memory format is Little Endian mode.

For more detail, refer to **Power-On Setting of System Manager**.

ROM/Flash Control Register (ROMCON)

| REGISTER | ADDRESS | R/W | DESCRIPTION | RESET VALUE |
|----------|--------------|-----|----------------------------|-------------|
| ROMCON | 0xFFFF0.1004 | R/W | ROM/FLASH control register | 0x0000.0XFC |

W90N740CD/W90N740CDG



| | | | | | | | |
|----------|----|----|----|--------|------|--------|----|
| 31 | 30 | 29 | 28 | 27 | 26 | 25 | 24 |
| BASADDR | | | | | | | |
| 23 | 22 | 21 | 20 | 19 | 18 | 17 | 16 |
| BASADDR | | | | | SIZE | | |
| 15 | 14 | 13 | 12 | 11 | 10 | 9 | 8 |
| RESERVED | | | | tPA | | | |
| 7 | 6 | 5 | 4 | 3 | 2 | 1 | 0 |
| tACC | | | | BTSIZE | | PGMODE | |

BASADDR [31:19] : Base address pointer of ROM/Flash bank

The start address is calculated as ROM/Flash bank base pointer << 18. The base address pointer together with the "SIZE" bits constitutes the whole address range of each bank.

SIZE [18:16] : The size of ROM/FLASH memory

| SIZE [10:8] | | | BYTE |
|-------------|---|---|------|
| 0 | 0 | 0 | 256K |
| 0 | 0 | 1 | 512K |
| 0 | 1 | 0 | 1M |
| 0 | 1 | 1 | 2M |
| 1 | 0 | 0 | 4M |
| 1 | 0 | 1 | 8M |
| 1 | 1 | 0 | 16M |
| 1 | 1 | 1 | 32M |

tPA [11:8] : Page mode access cycle time

| tPA [11:8] | | | | MCLK |
|------------|---|---|---|------|
| 0 | 0 | 0 | 0 | 1 |
| 0 | 0 | 0 | 1 | 2 |
| 0 | 0 | 1 | 0 | 3 |
| 0 | 0 | 1 | 1 | 4 |
| 0 | 1 | 0 | 0 | 5 |
| 0 | 1 | 0 | 1 | 6 |
| 0 | 1 | 1 | 0 | 7 |
| 0 | 1 | 1 | 1 | 8 |

| tPA [11:8] | | | | MCLK |
|------------|---|---|---|------|
| 1 | 0 | 0 | 0 | 10 |
| 1 | 0 | 0 | 1 | 12 |
| 1 | 0 | 1 | 0 | 14 |
| 1 | 0 | 1 | 1 | 16 |
| 1 | 1 | 0 | 0 | 18 |
| 1 | 1 | 0 | 1 | 20 |
| 1 | 1 | 1 | 0 | 22 |
| 1 | 1 | 1 | 1 | 24 |



tACC [7:4] : Access cycle time

| tACC [7:4] | | | | MCLK |
|------------|---|---|---|------|
| 0 | 0 | 0 | 0 | 1 |
| 0 | 0 | 0 | 1 | 2 |
| 0 | 0 | 1 | 0 | 3 |
| 0 | 0 | 1 | 1 | 4 |
| 0 | 1 | 0 | 0 | 5 |
| 0 | 1 | 0 | 1 | 6 |
| 0 | 1 | 1 | 0 | 7 |
| 0 | 1 | 1 | 1 | 8 |

| tACC [7:4] | | | | MCLK |
|------------|---|---|---|------|
| 1 | 0 | 0 | 0 | 10 |
| 1 | 0 | 0 | 1 | 12 |
| 1 | 0 | 1 | 0 | 14 |
| 1 | 0 | 1 | 1 | 16 |
| 1 | 1 | 0 | 0 | 18 |
| 1 | 1 | 0 | 1 | 20 |
| 1 | 1 | 1 | 0 | 22 |
| 1 | 1 | 1 | 1 | 24 |

BTSIZE [3:2] : Read only, the boot ROM/FLASH data bus width

This ROM/Flash bank is designed for a boot ROM. **BASADDR** bits determine its start address. The external data bus width is determined by the data bus signals D [13:12] power-on setting.

| BTSIZE [3:2] | | BUS WIDTH |
|--------------|---|-----------|
| 0 | 0 | 8-bit |
| 0 | 1 | 16-bit |
| 1 | 0 | 32-bit |
| 1 | 1 | RESERVED |

| D [13:12] | | BUS WIDTH |
|-----------|-----------|-----------|
| Pull-down | Pull-down | 8-bit |
| Pull-down | Pull-up | 16-bit |
| Pull-up | Pull-down | 32-bit |
| Pull-up | Pull-up | RESERVED |

PGMODE [1:0] : Page mode configuration

| PGMODE [1:0] | | MODE |
|--------------|---|--------------|
| 0 | 0 | Normal ROM |
| 0 | 1 | 4 word page |
| 1 | 0 | 8 word page |
| 1 | 1 | 16 word page |

W90N740CD/W90N740CDG

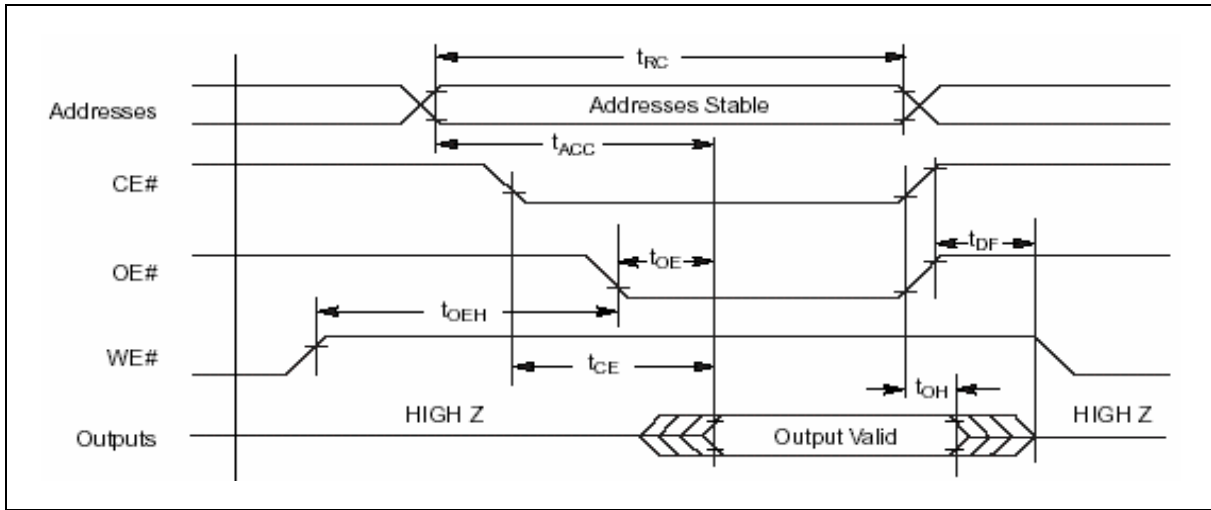


Fig7.3.2 ROM/FLASH Read Operation Timing

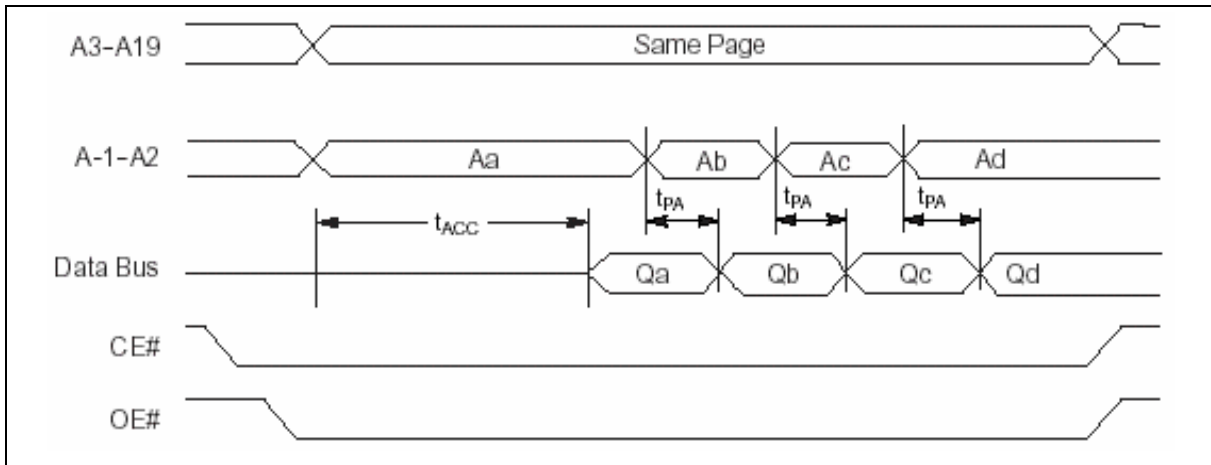


Fig 7.3.3 ROM/FLASH Page Read Operation Timing

Configuration Registers (SDCONF0/1)

The configuration registers enable software to set a number of operating parameters for the SDRAM controller. There are two configuration registers SDCONF0 · SDCONF1 for SDRAM bank 0 · bank 1 respectively. Each bank can have a different configuration.

| REGISTER | ADDRESS | R/W | DESCRIPTION | RESET VALUE |
|----------|-------------|-----|-------------------------------------|-------------|
| SDCONF0 | 0xFFF0.1008 | R/W | SDRAM bank 0 configuration register | 0x0000.0800 |
| SDCONF1 | 0xFFF0.100C | R/W | SDRAM bank 1 configuration register | 0x0000.0800 |

W90N740CD/W90N740CDG



| | | | | | | | |
|----------------|-----------------|---------------|----------------|-----------------|-----------------|----|----|
| 31 | 30 | 29 | 28 | 27 | 26 | 25 | 24 |
| BASADDR | | | | | | | |
| 23 | 22 | 21 | 20 | 19 | 18 | 17 | 16 |
| BASADDR | | | | RESERVED | | | |
| 15 | 14 | 13 | 12 | 11 | 10 | 9 | 8 |
| MRSET | RESERVED | AUTOPR | LATENCY | | RESERVED | | |
| 7 | 6 | 5 | 4 | 3 | 2 | 1 | 0 |
| COMPBK | DBWD | | COLUMN | | SIZE | | |

BASADDR [31:19] : Base address pointer of SDRAM bank 0/1

The start address is calculated as SDRAM bank 0/1 base pointer << 18. The SDRAM base address pointer together with the "SIZE" bits constitutes the whole address range of each SDRAM bank.

MRSET [15] : SDRAM Mode register set command for SDRAM bank 0/1

This bit set will issue a mode register set command to SDRAM.

AUTOPR [13] : Auto pre-charge mode of SDRAM for SDRAM bank 0/1

Enable the auto pre-charge function of external SDRAM bank 0/1

0 = Auto pre-charge

1 = No auto pre-charge

LATENCY [12:11] : The CAS Latency of SDRAM bank 0/1

Defines the CAS latency of external SDRAM bank 0/1

| LATENCY [12:11] | | MCLK |
|------------------------|---|-------------|
| 0 | 0 | 1 |
| 0 | 1 | 2 |
| 1 | 0 | 3 |
| 1 | 1 | REVERSED |

COMPBK [7] : Number of component bank in SDRAM bank 0/1

Indicates the number of component bank (2 or 4 banks) in external SDRAM bank 0/1.

0 = 2 banks

1 = 4 banks

DBWD [6:5] : Data bus width for SDRAM bank 0/1

Indicates the external data bus width connect with SDRAM bank 0/1

W90N740CD/W90N740CDG



If DBWD = 00, the assigned SDRAM access signal is not generated i.e. disable.

| DBWD [6:5] | | BITS |
|------------|---|--------------------|
| 0 | 0 | Bank disable |
| 0 | 1 | 8-bit (byte) |
| 1 | 0 | 16-bit (half-word) |
| 1 | 1 | 32-bit (word) |

COLUMN [4:3] : Number of column address bits in SDRAM bank 0/1

Indicates the number of column address bits in external SDRAM bank 0/1.

| COLUMN [4:3] | | BITS |
|--------------|---|----------|
| 0 | 0 | 8 |
| 0 | 1 | 9 |
| 1 | 0 | 10 |
| 1 | 1 | REVERSED |

SIZE [2:0] : Size of SDRAM bank 0/1

Indicates the memory size of external SDRAM bank 0/1

| SIZE [2:0] | | | Size of SDRAM (Byte) |
|------------|---|---|----------------------|
| 0 | 0 | 0 | Bank disable |
| 0 | 0 | 1 | 2M |
| 0 | 1 | 0 | 4M |
| 0 | 1 | 1 | 8M |
| 1 | 0 | 0 | 16M |
| 1 | 0 | 1 | 32M |
| 1 | 1 | 0 | 64M |
| 1 | 1 | 1 | REVERSED |

Timing Control Registers (SDTIME0/1)

W90N740 offers the flexible timing control registers to control the generation and processing of the control signals and can achieve you use different speed of SDRAM

| REGISTER | ADDRESS | R/W | DESCRIPTION | RESET VALUE |
|----------|-------------|-----|--------------------------------------|-------------|
| SDTIME0 | 0xFFF0.1010 | R/W | SDRAM bank 0 timing control register | 0x0000.0000 |
| SDTIME1 | 0xFFF0.1014 | R/W | SDRAM bank 1 timing control register | 0x0000.0000 |

W90N740CD/W90N740CDG



| | | | | | | | |
|----------|----|-----|----|----|------|----|----|
| 31 | 30 | 29 | 28 | 27 | 26 | 25 | 24 |
| RESERVED | | | | | | | |
| 23 | 22 | 21 | 20 | 19 | 18 | 17 | 16 |
| RESERVED | | | | | | | |
| 15 | 14 | 13 | 12 | 11 | 10 | 9 | 8 |
| RESERVED | | | | | tRCD | | |
| 7 | 6 | 5 | 4 | 3 | 2 | 1 | 0 |
| tRDL | | tRP | | | tRAS | | |

tRCD [10:8] : SDRAM bank 0/1, /RAS to /CAS delay (see Fig 7.3.4)

| tRCD [10:8] | | | MCLK |
|-------------|---|---|------|
| 0 | 0 | 0 | 1 |
| 0 | 0 | 1 | 2 |
| 0 | 1 | 0 | 3 |
| 0 | 1 | 1 | 4 |
| 1 | 0 | 0 | 5 |
| 1 | 0 | 1 | 6 |
| 1 | 1 | 0 | 7 |
| 1 | 1 | 1 | 8 |

tRDL [7:6] : SDRAM bank 0/1, Last data in to pre-charge command (see Fig 7.3.5)

| tRDL [7:6] | | MCLK |
|------------|---|------|
| 0 | 0 | 1 |
| 0 | 1 | 2 |
| 1 | 0 | 3 |
| 1 | 1 | 4 |

W90N740CD/W90N740CDG



tRP [5:3] : SDRAM bank 0/1, Row pre-charge time (see Fig 7.3.4)

| tRP [5:3] | | | MCLK |
|-----------|---|---|------|
| 0 | 0 | 0 | 1 |
| 0 | 0 | 1 | 2 |
| 0 | 1 | 0 | 3 |
| 0 | 1 | 1 | 4 |
| 1 | 0 | 0 | 5 |
| 1 | 0 | 1 | 6 |
| 1 | 1 | 0 | 7 |
| 1 | 1 | 1 | 8 |

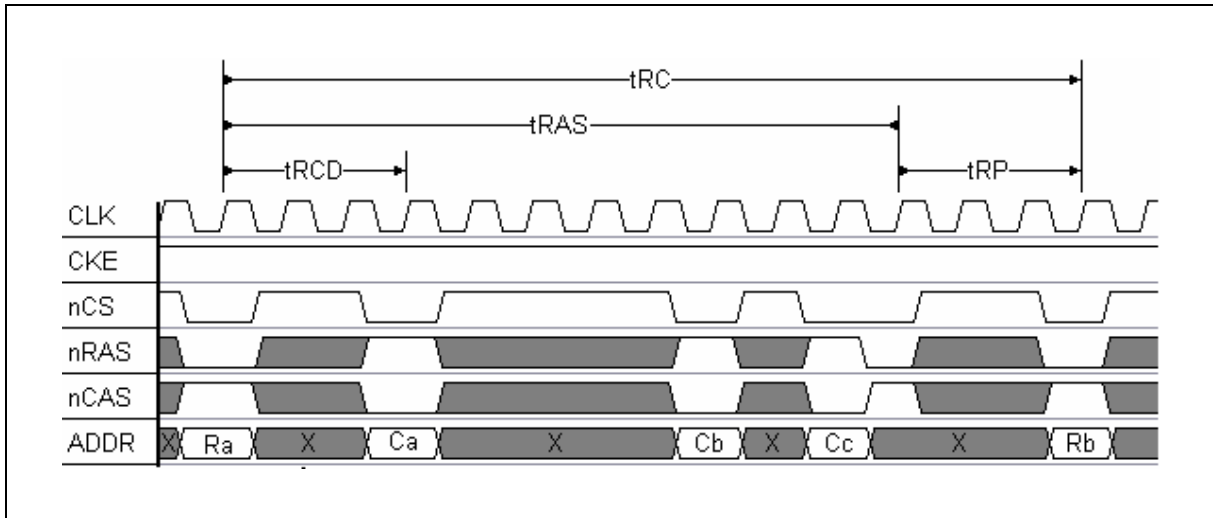


Fig 7.3.4 Access timing 1 of SDRAM

W90N740CD/W90N740CDG



tRAS [2:0] : SDRAM bank 0/1, Row active time (see Fig 7.3.4)

| tRAS [2:0] | | | MCLK |
|------------|---|---|------|
| 0 | 0 | 0 | 1 |
| 0 | 0 | 1 | 2 |
| 0 | 1 | 0 | 3 |
| 0 | 1 | 1 | 4 |
| 1 | 0 | 0 | 5 |
| 1 | 0 | 1 | 6 |
| 1 | 1 | 0 | 7 |
| 1 | 1 | 1 | 8 |

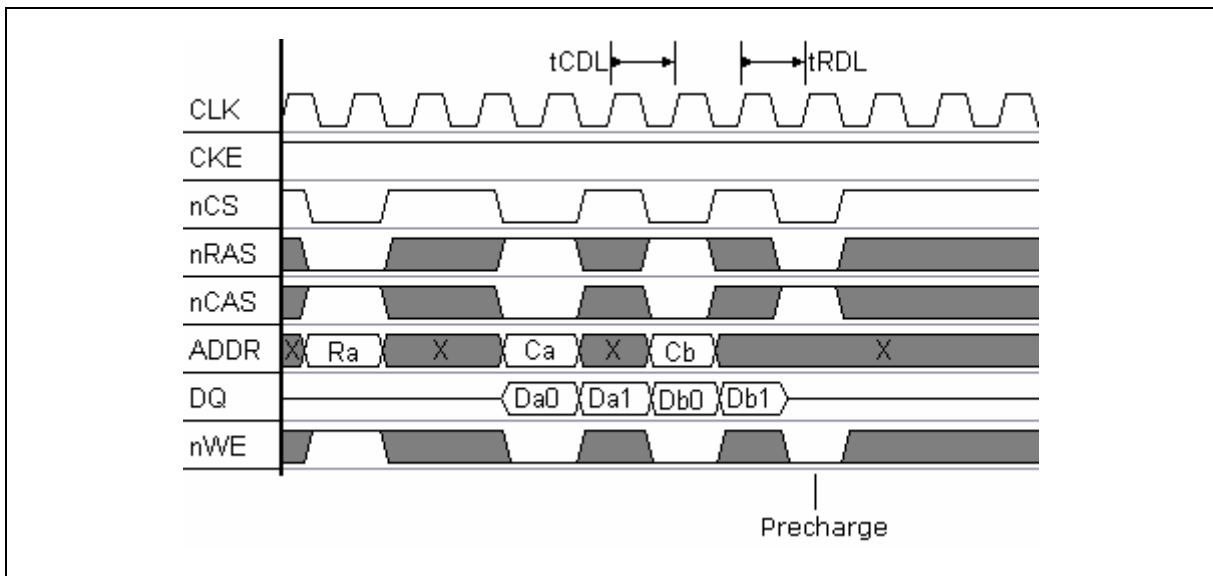


Fig 7.3.5 Access timing 2 of SDRAM

W90N740CD/W90N740CDG



External I/O Control Registers (EXT0CON – EXT3CON)

The W90N740 supports an external device control without glue logic. It is very cost effective because address decoding and control signals timing logic are not needed. Using these control registers you can configure special external I/O devices for providing the low cost external devices control solution.

| REGISTER | ADDRESS | R/W | DESCRIPTION | RESET VALUE |
|----------|--------------|-----|---------------------------------|-------------|
| EXT0CON | 0xFFFF0.1018 | R/W | External I/O 0 control register | 0x0000.0000 |
| EXT1CON | 0xFFFF0.101C | R/W | External I/O 1 control register | 0x0000.0000 |
| EXT2CON | 0xFFFF0.1020 | R/W | External I/O 2 control register | 0x0000.0000 |
| EXT3CON | 0xFFFF0.1024 | R/W | External I/O 3 control register | 0x0000.0000 |

| 31 | 30 | 29 | 28 | 27 | 26 | 25 | 24 |
|----------------|----|-------------|-------------|-------------|----|-------------|----|
| BASADDR | | | | | | | |
| 23 | 22 | 21 | 20 | 19 | 18 | 17 | 16 |
| BASADDR | | | | SIZE | | | |
| 15 | 14 | 13 | 12 | 11 | 10 | 9 | 8 |
| ADRS | | tACC | | | | tCOH | |
| 7 | 6 | 5 | 4 | 3 | 2 | 1 | 0 |
| tACS | | | tCOS | | | DBWD | |

BASADDR [31:19] : Base address pointer of external I/O bank 0~3

The start address of each external I/O bank is calculated as “BASADDR” base pointer << 18.

Each external I/O bank base address pointer together with the “SIZE” bits constitutes the whole address range of each external I/O bank.

SIZE [18:16] : The size of the external I/O bank 0~3

| SIZE [18:16] | | | Byte |
|--------------|---|---|------|
| 0 | 0 | 0 | 256K |
| 0 | 0 | 1 | 512K |
| 0 | 1 | 0 | 1M |
| 0 | 1 | 1 | 2M |
| 1 | 0 | 0 | 4M |
| 1 | 0 | 1 | 8M |
| 1 | 1 | 0 | 16M |
| 1 | 1 | 1 | 32M |

W90N740CD/W90N740CDG



ADRS [15] : Address bus alignment for external I/O bank 0~3

When **ADRS** is set, EBI bus is alignment to byte address format, and ignores **DBWD [1:0]** setting.

tACC [14:11] : Access cycles (nOE or nWE active time) for external I/O bank 0~3

| tACC [14:11] | | | | MCLK |
|--------------|---|---|---|----------|
| 0 | 0 | 0 | 0 | Reserved |
| 0 | 0 | 0 | 1 | 1 |
| 0 | 0 | 1 | 0 | 2 |
| 0 | 0 | 1 | 1 | 3 |
| 0 | 1 | 0 | 0 | 4 |
| 0 | 1 | 0 | 1 | 5 |
| 0 | 1 | 1 | 0 | 6 |

| tACC [14:11] | | | | MCLK |
|--------------|---|---|---|------|
| 1 | 0 | 0 | 0 | 9 |
| 1 | 0 | 0 | 1 | 11 |
| 1 | 0 | 1 | 0 | 13 |
| 1 | 0 | 1 | 1 | 15 |
| 1 | 1 | 0 | 0 | 17 |
| 1 | 1 | 0 | 1 | 19 |
| 1 | 1 | 1 | 0 | 21 |

tCOH [10:8] : Chip selection hold-on time on nWBE for external I/O bank 0~3

| tCOH [10:8] | | | MCLK |
|-------------|---|---|------|
| 0 | 0 | 0 | 0 |
| 0 | 0 | 1 | 1 |
| 0 | 1 | 0 | 2 |
| 0 | 1 | 1 | 3 |
| 1 | 0 | 0 | 4 |
| 1 | 0 | 1 | 5 |
| 1 | 1 | 0 | 6 |
| 1 | 1 | 1 | 7 |

W90N740CD/W90N740CDG



tACS [7:5] : Address set-up before nECS for external I/O bank 0~3

| tACS [7:5] | | | MCLK |
|------------|---|---|------|
| 0 | 0 | 0 | 0 |
| 0 | 0 | 1 | 1 |
| 0 | 1 | 0 | 2 |
| 0 | 1 | 1 | 3 |
| 1 | 0 | 0 | 4 |
| 1 | 0 | 1 | 5 |
| 1 | 1 | 0 | 6 |
| 1 | 1 | 1 | 7 |

tCOS [4:2] : Chip selection set-up time on nOE or nWBE for external I/O bank 0~3

When ROM/Flash memory bank is configured, the access to its bank stretches chip selection time before the nOE or new signal is activated.

| tCOS [4:2] | | | MCLK |
|------------|---|---|------|
| 0 | 0 | 0 | 0 |
| 0 | 0 | 1 | 1 |
| 0 | 1 | 0 | 2 |
| 0 | 1 | 1 | 3 |
| 1 | 0 | 0 | 4 |
| 1 | 0 | 1 | 5 |
| 1 | 1 | 0 | 6 |
| 1 | 1 | 1 | 7 |

DBWD [1:0] : Programmable data bus width for external I/O bank 0~3

| DBWD [1:0] | | WIDTH OF DATA BUS |
|------------|---|-------------------|
| 0 | 0 | Disable bus |
| 0 | 1 | 8-bit |
| 1 | 0 | 16-bit |
| 1 | 1 | 32-bit |

W90N740CD/W90N740CDG

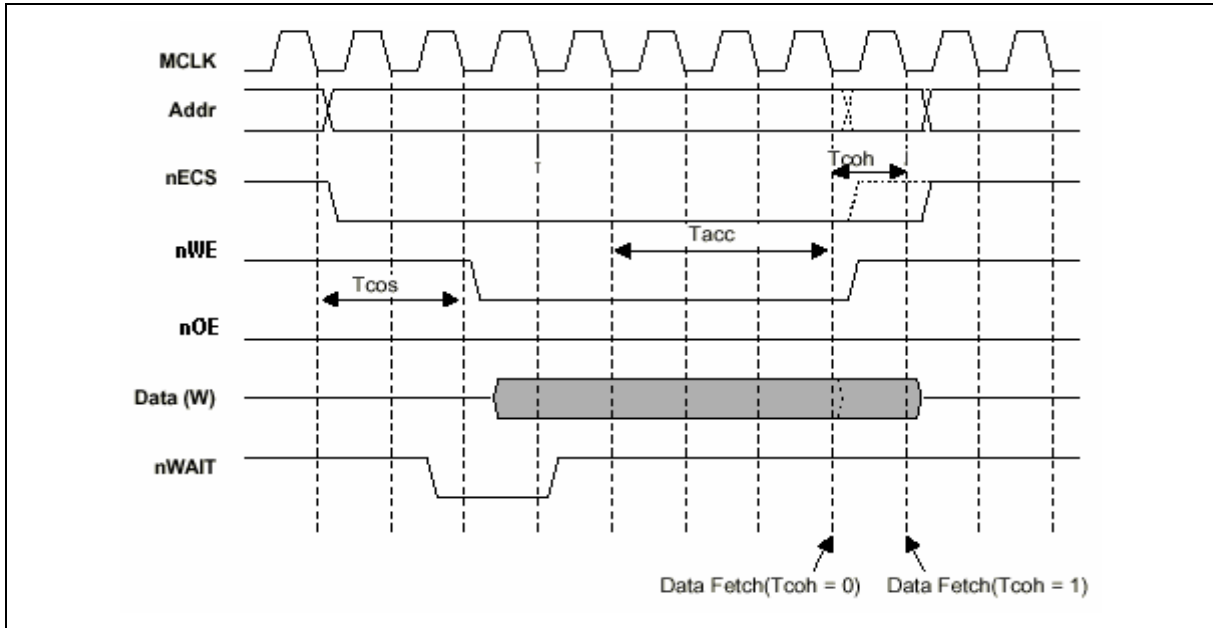


Fig 7.3.6 External I/O write operation timing

Clock Skew Control Register (CKSKEW)

| REGISTER | ADDRESS | R/W | DESCRIPTION | RESET VALUE |
|----------|--------------|-----|-----------------------------|-------------|
| CKSKEW | 0xFFFF7.1F00 | R/W | Clock skew control register | 0xXXXX.0038 |

| | | | | | | | |
|--------------|----|----|----|----------|----|----|-------|
| 31 | 30 | 29 | 28 | 27 | 26 | 25 | 24 |
| DLH_CLK_REF | | | | | | | |
| 23 | 22 | 21 | 20 | 19 | 18 | 17 | 16 |
| DLH_CLK_REF | | | | | | | |
| 15 | 14 | 13 | 12 | 11 | 10 | 9 | 8 |
| RESERVED | | | | | | | SWPON |
| 7 | 6 | 5 | 4 | 3 | 2 | 1 | 0 |
| DLH_CLK_SKEW | | | | MCLK_O_D | | | |

DLH_CLK_REF [31:16]: Latch DLH_CLK clock tree by HCLK positive edge. (Read Only)

SWPON [8]: SDRAM Initialization by Software trigger

Set this bit will issue a SDRAM power on default setting command, this bit will be auto-clear by hardware.

W90N740CD/W90N740CDG



DLH_CLK_SKEW [7:4] : Data latch clock skew adjustment

| DLH_CLK_SKEW [7:4] | | | | GATE DELAY |
|--------------------|---|---|---|------------|
| 0 | 0 | 0 | 0 | P-0 |
| 0 | 0 | 0 | 1 | P-1 |
| 0 | 0 | 1 | 0 | P-2 |
| 0 | 0 | 1 | 1 | P-3 |
| 0 | 1 | 0 | 0 | P-4 |
| 0 | 1 | 0 | 1 | P-5 |
| 0 | 1 | 1 | 0 | P-6 |

| DLH_CLK_SKEW [7:4] | | | | GATE DELAY |
|--------------------|---|---|---|------------|
| 1 | 0 | 0 | 0 | N-0 |
| 1 | 0 | 0 | 1 | N-1 |
| 1 | 0 | 1 | 0 | N-2 |
| 1 | 0 | 1 | 1 | N-3 |
| 1 | 1 | 0 | 0 | N-4 |
| 1 | 1 | 0 | 1 | N-5 |
| 1 | 1 | 1 | 0 | N-6 |

Note: P-x means Data latched Clock shift "X" gates delays by refer MCLKO positive edge,
 N-x means Data latched Clock shift "X" gates delays by refer MCLKO negative edge.

MCLK_O_D [3:0] : MCLK output delay adjustment

| MCLK_O_D [3:0] | | | | GATE DELAY |
|----------------|---|---|---|------------|
| 0 | 0 | 0 | 0 | P-0 |
| 0 | 0 | 0 | 1 | P-1 |
| 0 | 0 | 1 | 0 | P-2 |
| 0 | 0 | 1 | 1 | P-3 |
| 0 | 1 | 0 | 0 | P-4 |
| 0 | 1 | 0 | 1 | P-5 |
| 0 | 1 | 1 | 0 | P-6 |

| MCLK_O_D [3:0] | | | | GATE DELAY |
|----------------|---|---|---|------------|
| 1 | 0 | 0 | 0 | N-0 |
| 1 | 0 | 0 | 1 | N-1 |
| 1 | 0 | 1 | 0 | N-2 |
| 1 | 0 | 1 | 1 | N-3 |
| 1 | 1 | 0 | 0 | N-4 |
| 1 | 1 | 0 | 1 | N-5 |
| 1 | 1 | 1 | 0 | N-6 |

Note: P-x means MCLKO shift "X" gates delay by refer HCLK positive edge,
 N-x means MCLKO shift "X" gates delay by refer HCLK negative edge.
 MCLK is the output pin of MCLKO, which is a internal signal on chip.



7.4 Cache Controller

The W90N740 has an 8KB Instruction cache, 2KB Data cache, and 8 words write buffer. The I-Cache and D-Cache are similar except the cache size. To enhance the hit ratio, these two caches are configured two-way set associative addressing. Each cache has four words cache line size. When a miss occurs, four words must be fetched consecutively from external memory. The replacement algorithm is a LRU (Least Recently Used).

The W90N740 also provides a write buffer to improve system performance. The write buffer can buffer up to eight words of data.

7.4.1 On-Chip RAM

If I-Cache or D-Cache is disabled, it can be served as On-Chip RAM. If D-Cache is disabled, there has 2KB On-Chip RAM, its start address is 0xFFE02000. If I-Cache is disabled, there has 8KB On-Chip RAM and the start address of this RAM is 0xFFE00000. If both the I-Cache and D-Cache are disabled, it has 10KB On-Chip RAM starting from 0xFFE00000.

The size of On-Chip RAM is depended on the I-Cache and D-Cache enable bits **ICAEN**, **DCAEN** in Cache Control Register (CAHCON).

Table7.4.1 The size and start address of On-Chip RAM

| ICAEN | DCAEN | ON-CHIP RAM | |
|-------|-------|-------------|---------------|
| | | Size | Start Address |
| 0 | 0 | 10KB | 0xFFE0.0000 |
| 0 | 1 | 8KB | 0xFFE0.0000 |
| 1 | 0 | 2KB | 0xFFE0.2000 |
| 1 | 1 | Unavailable | |

7.4.2 Non-Cacheable Area

Although the cache affects the entire 2GB system memory, it is sometimes necessary to define non-cacheable areas when the consistency of data stored in memory and the cache must be ensured. To support this, the W90N740 provides a non-cacheable area control bit in the address field, A [31].

If A [31] in the ROM/FLASH, SDRAM, or external I/O bank's access address is "0", then the accessed data is cacheable. If the A [31] value is "1", the accessed data is non-cacheable.

7.4.3 Instruction Cache

The Instruction cache (I-cache) is an 8K bytes two-way set associative cache. The cache organization is 256 sets, two lines per set, and four words per line. Cache lines are aligned on 4-word boundaries in memory.

The cache access cycle begins with an instruction request from the instruction unit in the core. In the case of a cache hit, the instruction is delivered to the instruction unit. In case of a cache miss, the cache initiates a burst read cycle on the internal bus with the address of the requested instruction. The first word received from the bus is the requested instruction. The cache forwards this instruction to the instruction unit of the core as soon as it is received from the internal bus. A cache line is then selected to receive the data that will be coming from the bus. A least recently used (LRU) replacement algorithm is used to select a line when no empty lines are available.



When I-Cache is disabled, the cache memory is served as 8KB On-chip RAM.

The I-Cache is always disabled on reset.

The Features of the Instruction Cache :

- 8K bytes instruction cache
- Two-way set associative
- Four words in a cache line
- LRU replacement policy
- Lockable on a per-line basis
- Critical word first, burst access

Instruction Cache Operation

On an instruction fetch, bits 11~4 of the instruction's address point into the cache to retrieve the tags and data of one set. The tags from both ways are then compared against bits 30~12 of the instruction's address. If a match is found and the matched entry is valid, then it is a cache hit. If neither tags match or the matched tag is not valid, it is a cache miss.

7.4.3.1. Instruction Cache Hit

In case of a cache hit, bits 3~2 of the instruction address is used to select one word from the cache line whose tag matches. The instruction is immediately transferred to the instruction unit of the core.

7.4.3.2. Instruction Cache Miss

On an instruction cache miss, the address of the missed instruction is driven on the internal bus with a 4-word burst transfer read request. A cache line is then selected to receive the data that will be coming from the bus. The selection algorithm gives first priority to invalid lines. If neither of the two lines in the selected set is invalid, then the least recently used line is selected for replacement. Locked lines are never replaced. The transfer begins with the word requested by the instruction unit (critical word first), followed by the remaining words of the line, then by the word at the beginning of the lines (wraparound).

7.4.3.3. Instruction Cache Flushing

The W90N740 does not support external memory snooping. Therefore, if self-modifying code is written, the instructions in the I-Cache may become invalid. The entire I-Cache can be flushed by software in one operation, or can be flushed one line at a time by setting the **CAHCON** register bit **FLHS** or **FLHA** with the **ICAH** bit is set. As flushing the cache line, the "V" bit of the line is cleared to "0". The I-Cache is automatically flushed during reset.

7.4.3.4. Instruction Cache Load and Lock

The W90N740 supports a cache-locking feature that can be used to lock critical sections of code into I-Cache to guarantee quick access. Lockdown can be performed with a granularity of one cache line. The smallest space, which can be locked down, is 4 words. After a line is locked, it operates as a regular instruction SRAM. Lines locked are not replaced during misses and not affected by flush per line command.



To load and lock instruction, the following sequence should be followed:

1. Write the start address of the instructions to be locked into **CAHADR** register.
2. Set **LDLK** and **ICAH** bits in the **CAHCON** register.
3. Increased the address by 16 and written into **CAHADR** register.
4. Set **LDLK** and **ICAH** bits in the **CAHCON** register.
5. Repeat the steps 3 and 4, until the desired instructions are all locked.

When using I-Cache load and lock command, there are some notes should be cared.

- The programs executing load and lock operation should be held in a non-cacheable area of memory.
- The cache should be enabled and interrupts should be disabled.
- Software must flush the cache before execute load and lock to ensure that the code to be locked down is not already in the cache.

Instruction Cache Unlock

The unlock operation is used to unlock previously locked cache lines. After unlock, the “L” bit of the line is cleared to “0”. W90N740 has two unlock command, unlock line and unlock all.

The unlock line operation is performed on a cache line granularity. In case the line is found in the cache, it is unlocked and starts to operate as a regular valid cache line. In case the line is not found in the cache, no operation is done and the command terminates with no exception. To unlock one line the following unlock line sequence should be followed:

1. Write the address of the line to be unlocked into the **CAHADR** Register.
2. Set the **ULKS** and **ICAH** bits in the **CAHCON** register.

The unlock all operation is used to unlock the whole I-Cache. This operation is performed on all cache lines. In case a line is locked, it is unlocked and starts to operate as regular valid cache line. In case a line is not locked or if it is invalid, no operation is performed. To unlock the whole cache, set the **ULKA** and **ICAH** bits.



7.4.4 Data Cache

The W90N740 data cache (D-Cache) is a 2KB two-way set associative cache. The cache organization is 64 sets, two lines per set, and four words per line. Cache lines are aligned on 4-word boundaries in memory. The cache is designed for **buffer write-through** mode of operation and a least recently used (LRU) replacement algorithm is used to select a line when no empty lines are available.

When D-Cache is disabled, the cache memory is served as 2KB On-chip RAM.

The D-Cache is always disabled on reset.

The Features of the Data Cache :

- 2K bytes data cache
- Two-way set associative
- Four words in a cache line
- LRU replacement policy
- Lockable on a per-line basis
- Critical word first, burst access
- Buffer Write-through mode
- words write buffer
- Drain write buffer

DATA CACHE OPERATION

On a data fetch, bits 9~4 of the data's address point into the cache to retrieve the tags and data of one set. The tags from both ways are then compared against bits 30~10 of the data's address. If a match is found and the matched entry is valid, then it is a cache hit. If neither tags match or the matched tag is not valid, it is a cache miss.

7.4.4.1. Data Cache Read

Read Hit : On a cache hit, the requested word is immediately transferred to the core.

Read Miss : A line in the cache is selected to hold the data, which will be fetched from memory. The selection algorithm gives first priority to invalid lines and if both lines are invalid the line in way zero is selected first. If neither of the two candidate lines in the selected set is invalid, then one of the lines is selected by the LRU algorithm to replace. The transfer begins with the aligned word containing the missed data (critical word first), followed by the remaining word in the line, then by the word at the beginning of the line (wraparound). As the missed word is received from the bus, it is delivered directly to the core.

7.4.4.2. Data Cache Write

As buffer write-through mode, store operations always update memory. The buffer write-through mode is used when external memory and internal cache images must always agree.

Write Hit : Data is written into both the cache and write buffer. The processor then continues to access the cache, while the cache controller simultaneously downloads the contents of the write buffer to main memory. This reduces the effective write memory cycle time from the time required for a main memory cycle to the cycle time of the high-speed cache.

Write Miss : Data is only written into write buffer, not to the cache (write no allocate).



7.4.4.3. Data Cache Flushing

The W90N740 allows flushing of the data cache under software control. The data cache may be invalidated through writing flush line (**FLHS**) or flush all (**FLHA**) commands to the **CAHCON** register. Flushing the entire D-Cache also flushed any locked down code. As flushing the data cache, the “V” bit of the line is cleared to “0”. The D-cache is automatically flushed during reset.

7.4.4.4. Data Cache Load and Lock

The W90N740 supports a cache-locking feature that can be used to lock critical sections of data into D-Cache to guarantee quick access. Lockdown can be performed with a granularity of one cache line. The smallest space, which can be locked down, is 4 words. After a line is locked, it operates as a regular instruction SRAM. The locked lines are not replaced during misses and it is not affected by flush per line command.

To load and lock data, the following sequence should be followed:

1. Write the start address of the data to be locked into **CAHADR** register.
2. Set **LDLK** and **DCAH** bits in the **CAHCON** register.
3. Increased the address by 16 and written into **CAHADR** register.
4. Set **LDLK** and **DCAH** bits in the **CAHCON** register.
5. Repeat the steps 3 and 4, until the desired data are all locked.

When using D-Cache load and lock command, there are some notes should be cared.

- The programs executing load and lock operation should be held in a non-cacheable area of memory.
- The cache should be enabled and interrupts should be disabled.
- Software must flush the cache before execute load and lock to ensure that the data to be locked down is not already in the cache.

7.4.4.5. Data Cache Unlock

The unlock operation is used to unlock previously locked cache lines. After unlock, the “L” bit of the line is cleared to “0”. W90N740 has two unlock command, unlock line and unlock all.

The unlock line operation is performed on a cache line granularity. In case the line is found in the cache, it is unlocked and starts to operate as a regular valid cache line. In case the line is not found in the cache, no operation is done and the command terminates with no exception. To unlock one line the following unlock line sequence should be followed:

1. Write the address of the line to be unlocked into the **CAHADR** Register.
2. Set the **ULKS** and **DCAH** bits in the **CAHCON** register.

The unlock all operation is used to unlock the whole D-Cache. This operation is performed on all cache lines. In case a line is locked, it is unlocked and starts to operate as regular valid cache line. In case a line is not locked or if it is invalid, no operation is performed. To unlock the whole cache, set the **ULKA** and **DCAH** bits.



7.4.5 Write Buffer

The W90N740 provides a write buffer to improve system performance. The write buffer can buffer up to eight words of data. The write buffer may be enabled or be disabled via the **WRBEN** bit in the **CAHCNF** register, and the buffer is disabled and flushed on reset.

Drain write buffer

To force data, which is in write buffer, to be written to external main memory. This operation is useful in real time applications where the processor needs to be sure that a write to a peripheral has completed before program execution continues.

To perform this command, you can set the **DRWB** and **DCAH** bits in **CAHCON** register.

Cache Control Registers Map

| Register | Address | R/W | Description | Reset Value |
|----------|--------------|-----|------------------------------|-------------|
| CAHCNF | 0xFFFF0.2000 | R/W | Cache configuration register | 0x0000.0000 |
| CAHCON | 0xFFFF0.2004 | R/W | Cache control register | 0x0000.0000 |
| CAHADR | 0xFFFF0.2008 | R/W | Cache address register | 0x0000.0000 |
| CTEST0 | 0xFFFF6.0000 | R/W | Cache test register 0 | 0x0000.0000 |
| CTEST1 | 0xFFFF6.0004 | R | Cache test register 1 | 0x0000.0000 |

Cache Configuration Register (CAHCNF)

Cache controller has a configuration register to enable or disable the I-Cache, D-Cache, and Write buffer.

| Register | Address | R/W | Description | Reset Value |
|----------|--------------|-----|------------------------------|-------------|
| CAHCNF | 0xFFFF0.2000 | R/W | Cache configuration register | 0x0000.0000 |

| | | | | | | | |
|----------|----|----|----|----|-------|-------|-------|
| 31 | 30 | 29 | 28 | 27 | 26 | 25 | 24 |
| RESERVED | | | | | | | |
| 23 | 22 | 21 | 20 | 19 | 18 | 17 | 16 |
| RESERVED | | | | | | | |
| 15 | 14 | 13 | 12 | 11 | 10 | 9 | 8 |
| RESERVED | | | | | | | |
| 7 | 6 | 5 | 4 | 3 | 2 | 1 | 0 |
| RESERVED | | | | | WRBEN | DCAEN | ICAEN |

WRBEN [2] : Write buffer enable

When set to "1", write buffer operation is enabled.

Write buffer is disabled after reset.



DCAEN [1] : D-Cache enable

When set to “1”, Data cache operation is enabled.

D-Cache is disabled after reset.

ICAEN [0] : I-Cache enable

When set to “1”, Instruction cache operation is enabled.

I-Cache is disabled after reset.

Cache Control Register (CAHCON)

Cache controller supports one Control register used to control the following operations.

- Flush I-Cache and D-Cache
- Load and lock I-Cache and D-Cache
- Unlock I-Cache and D-Cache
- Drain write buffer

These command set bits in **CAHCON** register are auto-clear bits. As the end of execution, that command set bit will be cleared to “0” automatically.

| REGISTER | ADDRESS | R/W | DESCRIPTION | RESET VALUE |
|----------|-------------|-----|------------------------|-------------|
| CAHCON | 0xFFF0.2004 | R/W | Cache control register | 0x0000.0000 |

| | | | | | | | |
|----------|------|------|------|------|------|------|------|
| 31 | 30 | 29 | 28 | 27 | 26 | 25 | 24 |
| RESERVED | | | | | | | |
| 23 | 22 | 21 | 20 | 19 | 18 | 17 | 16 |
| RESERVED | | | | | | | |
| 15 | 14 | 13 | 12 | 11 | 10 | 9 | 8 |
| RESERVED | | | | | | | |
| 7 | 6 | 5 | 4 | 3 | 2 | 1 | 0 |
| DRWB | ULKS | ULKA | LDLK | FLHS | FLHA | DCAH | ICAH |

DRWB [7] : Drain write buffer

Forces write buffer data to be written to main memory.

ULKS [6] : Unlock I-Cache/D-Cache single line

Unlocks the I-Cache/D-Cache per line. Both **WAY** and **ADDR** bits in **CAHADR** register must be specified.

ULKA [5] : Unlock I-Cache/D-Cache entirely

Unlocks the entire I-Cache/D-Cache, the lock bit “L” will be cleared to 0.

W90N740CD/W90N740CDG



LDLK [4] : Load and Lock I-Cache/D-Cache

Loads the instruction or data from external memory and locks into cache. Both **WAY** and **ADDR** bits in **CAHADR** register must be specified.

FLHS [3] : Flush I-Cache/D-Cache single line

Flushes the entire I-Cache/D-Cache per line. Both **WAY** and **ADDR** bits in **CAHADR** register must be specified.

FLHA [2] : Flush I-Cache/D-Cache entirely

To flush the entire I-Cache/D-Cache, also flushes any locked-down code. If the I-Cache/D-Cache contains locked down code, the programmer must flush lines individually.

DCAH [1] : D-Cache selected

When set to "1", the command set is executed with D-Cache.

ICAH [0] : I-Cache selected

When set to "1", the command set is executed with I-Cache.

Notes : When using the **FLHA** or **ULKA** command, you can set **both ICAH** and **DCAH** bits to execute entire I-Cache **and** D-Cache flushing or unlocking. But, **FLHS** and **ULKS** commands can only be executed with a cache line specified by **CAHADR** register in I-Cache **or** D-Cache at a time. If you set **both ICAH** and **DCAH** bits, and set **FLHS** or **ULKS** command bit, it will be treated as an invalid command and no operation is done and the command terminates with no exception.

The **Drain Write Buffer** operation is only for D-Cache. To perform this operation, you must set **DRWB** and **DCAH** bits. If the **ICAH** bit is set when using **DRWB** command, it will be an invalid command and no operation is done and the command terminates with no exception.

Cache Address Register (CAHADR)

W90N740 Cache Controller supports one address register. This address register is used with the command set in the control register (**CAHCON**) by specifying instruction/data address.

| REGISTER | ADDRESS | R/W | DESCRIPTION | RESET VALUE |
|----------|--------------|-----|------------------------|-------------|
| CAHADR | 0xFFFF0.2008 | R/W | Cache address register | 0x0000.0000 |

| 31 | 30 | 29 | 28 | 27 | 26 | 25 | 24 |
|-------------|-------------|----|----|----|----|----|----|
| WAY | ADDR | | | | | | |
| 23 | 22 | 21 | 20 | 19 | 18 | 17 | 16 |
| ADDR | | | | | | | |
| 15 | 14 | 13 | 12 | 11 | 10 | 9 | 8 |
| ADDR | | | | | | | |
| 7 | 6 | 5 | 4 | 3 | 2 | 1 | 0 |
| ADDR | | | | | | | |



WAY [31] : Way selection

0 = Way0 is selected

1 = Way1 is selected

ADDR [30:0] : The absolute address of instruction or data

7.5 Ethernet MAC Controller (EMC)

The W90N740 has two Ethernet MAC Controllers (EMC) for WAN/LAN application. Each EMC has its DMA controller, transmit FIFO, and receive FIFO. The Ethernet MAC controller consists of IEEE 802.3/Ethernet protocol engine with internal CAM address register for entry address comparison, Transmit-FIFO, Receive-FIFO, TX/RX state machine controller and status controller. The EMC supplies selectable MII (Media Independent Interface) or RMII (Reduced MII), for 10/100Mbps/s PHY operated with 25M/2.5M Hz TXCLK/RXCLK.

The Features of each EMC:

- IEEE 802.3 protocol engine with programmable MII or RMII interface for 10/100 Mbps/s
- DMA engine with burst mode
- 256 bytes transmit & 256 bytes receive FIFO for MAC protocol engine and DMA access
- Built-in 16 entry CAM Address Register
- Support long frame (more than 1518 bytes) and short frame (less than 64 bytes)
- Re-transmit (during collision) the frame without DMA access
- Half or full duplex function option
- Support Station Management for external PHY
- On-Chip Pad generation

7.5.1 EMC Descriptors

Buffer descriptors are used to handle the control, status and data information of each received/transmitted frame. There is much information contained in the descriptors. The W90N740 totally implements four registers for receiving and four registers for transmitting, respectively. All the registers are described below.

7.5.1.1. Rx Buffer Descriptor (RXBD)

| | | | | | |
|---|------------------|--------|--------|---------------------|---|
| 3 1 | 3 0 | 2 9 | 1 6 | 1 5 | 0 |
| O | Rx Status | | | Frame Length | |
| Data Buffer Starting Address | | | | | |
| NAT Information (Reserved) | | | | | |
| Next Descriptor Starting Address | | | | | |

O: Ownership bits

BIT [31: 30]

00 = CPU

= DMA



- 11 = NATA
- 01 = Undefined

W90N740 EMC receive DMA is allowed to access current descriptor if bit 31 is set to 1 by the user driver program. If the entire frame is received successfully, then the ownership bit 31 is cleared and the ownership is granted to CPU.

If NATA is enabled, NATA is also allowed to access current descriptor and bit 30 is set to 1 by NATA when NATA is processing.

7.5.1.2. Rx Status: Receive Status

This field is updated by EMC after reception completed. The detail description is on next page.

Frame Length: Received Frame Length

This field is the size of the received frame.

Data Buffer Starting Address

This field is the starting address of the frame data to be received.

Next Descriptor Start Address

This field is the start address of the next frame descriptor.

7.5.1.3. NAT Information

This field is reserved for MAC Rx to send information for NAT processing. For user driver program, it is forbidden to modify these bits.

Rx Status (RXSTA): Receive Status

| | | | | | | | |
|----------|----|------|-------|---------|----------|--------|--------|
| | | 29 | 28 | 27 | 26 | 25 | 24 |
| | | Hit | IPHit | PortHit | Inverse | NATFSH | Nop |
| 23 | 22 | 21 | 20 | 19 | 18 | 17 | 16 |
| Reserved | RP | ALIE | RXGD | PTLE | Reserved | CRCE | RXINTR |

Bits 29-24 are NAT information for the NAT accelerator, and reserved if the NATA is disabled.

Hit: current packet is hit with NAT entry table

The value is 1 if current packet IP/port is in the entry list. If NATA is disabled, the bit is reserved.

7.5.1.4. IPHit: current packet is hit on IP address

The value is 1 if current packet IP/port is hit in the IP address location.

PortHit: current packet is hit on Port Number

The value is 1 if current packet IP/port is hit in the port number location.

Inverse: current hit entry is setting on inverse mode

The value is 1 if current hit entry is on inverse mode.



7.5.1.5. NATFSH: NAT Processing Finish

The value is 1 if current packet NAT processing is finished and successful. This bit will be written while NAT finish the NAT processing.

NOP: No Operation

This bit indicates the packet is hit in NAT table but no need to be replaced by NAT. This bit will be set to 1 if the packet hit the NAT table and the corresponding NOP and Discard bit of hit entry is 2'b10.

RP: Runt Packet

Set if the received packet length is less than 64 bytes.

ALIE: Alignment Error

Set if the Frame length bits are not a multiple of eight.

RXGD: Receiving Good packet received

Set if the MAC successfully receives a packet with no errors. If **EnRXGD** = 1, an interrupt is generated on each time this bit is being set.

PTLE: Packet Too Long Error

Set if a received frame longer than 1518 bytes. Not set if the **ALP** (Accept Long Packet) bit is set.

CRCE: CRC Error

Set if the CRC at end of packet does not match the computed value, or else the PHY asserts Rx_er during packet reception.

RXINTR: Interrupt on receive

Set if reception of packet caused an interrupt condition. This includes Good received, if the **EnRXGD** is set.

NAT INFORMATION (Reserved if disabled)

| | | | | | | | |
|----------|---------|------------------|--------|------------------|-----|-----|-----|
| 31 | 30 | 29 | 28 | 27 | 26 | 25 | 24 |
| Reserved | | TCP information | | | | | |
| 23 | 22 | 21 | 20 | 19 | 18 | 17 | 16 |
| Reserved | UCK_Err | TU_Err | NH_Err | IP Header Length | | | |
| 15 | 14 | 13 | 12 | 11 | 10 | 9 | 8 |
| Reserved | | Hit Entry Number | | | | | |
| 7 | 6 | 5 | 4 | 3 | 2 | 1 | 0 |
| Reserved | PPPCaps | PPPoE | UCKS | UDP | TCP | L/W | Hit |

TCP information: URG (bit 29), ACK, PSH, RST, SYN, FIN (bit 24)

The six bit values show current TCP status, and are transparent to the six bits in TCP header. The values are valid if current packet is TCP type and **Hit** is set.

UCK_Err: TCP/UCKS Error

TU_Err: TCP/UDP Error

NH_Err: No Hit Error



These bits records error status if NAT processing error is occurred and are wrote by NATA.

- (1) UCK_Err: TCP = 1 and UCKS = 1
- (2) TU_Err: TCP = 1 and UDP = 1
- (3) NH_Err: No hit error

IP Header Length: TCP/UDP header location offset

The offset value lets the NAT accelerator to identify the starting address of TCP or UDP header, which is used for NAT to parsing port data. The value is valid if **Hit** is set.

Hit Entry Number: the entry number hit with the input address

The value indicates which entry is hit to let NAT accelerator to take corresponding data. The value is valid if Hit is set.

PPPCaps: PPPoE datagram encapsulated

The value is 1 if PPP encapsulation is used (8 bits protocol field), and 0 if encapsulation is not used (16 bits protocol field).

PPPoE: PPPoE protocol

The value is 1 if the packet takes PPPoE protocol instead of IP protocol. The value is 0 if the packet takes IP protocol.

UCKS: UDP protocol with skip checksum replacement

The value is 1 if the packet takes UDP protocol, and its checksum is zero. The NAT accelerator will skip the checksum replacement procedure.

UDP: apply UDP protocol

It tell NAT engine to apply UDP protocol. The value is 1 if the packet takes UDP protocol, and 0 if the packet takes non-UDP protocol. The value is valid if **Hit** is set.

TCP: apply TCP protocol

It tell NAT engine to apply TCP protocol. The value is 1 if the packet takes TCP protocol, and 0 if the packet takes non-TCP protocol. The value is valid if **Hit** is set.

L/W: hit port; the value is 1 if internal (LAN) port gets hit, and 0 if external (WAN) port is hit

The S/W program must specify LAN port and WAN port with the two EMCs. For example, EMC 0 is connected to WAN port, and EMC 1 is connected to LAN port. If NAT is enabled, EMC 0 is connected to external port for {MA, MP} comparison, and EMC 1 is connected to internal port for {LA, LP} comparison. The L/W value is 1 if the hit port is internal port, and 0 if the hit port is external port. The value is valid if Hit is set.

Hit: current packet is hit with NAT entry table

The value is 1 if current packet IP/port is in the entry list. If NAT is disabled, the bit is reserved.



Tx Buffer Descriptor (TXBD)

| | | | | | | | | |
|---|---|---|---|---------------------|---|---|---|---|
| 3 | 3 | 1 | 1 | 3 | 2 | 1 | 0 | |
| 1 | 0 | 6 | 5 | | | | | |
| O | | | | | | I | C | P |
| Data Buffer Starting Address | | | | | | | | |
| Tx Status | | | | Frame Length | | | | |
| Next Descriptor Starting Address | | | | | | | | |

O: Ownership bit

0 = CPU 1 = DMA

W90N740 transmit DMA is allowed to access current descriptor if this bit is set to '1' by the user driver program. If the entire frame is transmitted successfully, then the ownership bit is cleared and the ownership is granted to CPU.

I: MAC transmit interrupt enable after transmission complete of the frame

0 = Disable

1 = Enable

7.5.1.6. C: CRC mode bit

0 = Disable CRC mode

1 = Enable CRC mode

7.5.1.7. P: Padding mode bit

0 = Disable padding mode

1 = Enable padding mode

Data Buffer Starting Address

This field is the starting address of the frame data to be transmitted.

7.5.1.8. Tx Status: Transmit Status

This field is updated by the EMC after transmission.

7.5.1.9. Frame Length

This field is the size of the transmit frame.

Next Descriptor Starting Address

This field is the starting address of the next frame descriptor.



Tx Status (TXSTA)

| | | | | | | | |
|------|-------|-----|-------|------|----------|-----|--------|
| 31 | 30 | 29 | 28 | 27 | 26 | 25 | 24 |
| CCNT | | | | | SEQ | PAU | TXHA |
| 23 | 22 | 21 | 20 | 19 | 18 | 17 | 16 |
| LC | TXABT | NCS | EXDEF | TXCP | Reserved | DEF | TXINTR |

TXINTR: Interrupt on Transmit

Set if transmission of packet causes an interrupt condition. It includes **TXCP**.

DEF: Transmit deferred

Set when MAC has to defer, if MAC is ready to transmit a frame, because the carrier sense input is asserted before the MAC gets granted to acquire the network media.

TXCP: Transmission Completion

Set when MAC completes a transmission or discard one packet.

EXDEF: Exceed Deferral

Set if MAC deferring time to transmit exceeds 0.32768ms for 100Mbit/s or 3.2768ms for 10Mbit/s.

NCS: No Carrier Sense Error

Set if carrier sense is not detected during the entire transmission of a packet..

TXABT: Transmission Abort

Set if transmitting aborted because 16 collisions occurred in the same packet.

LC: Late Collision

Set if there is collision occurs after 64 bytes collision window.

TXHA: Transmission halted

Transmission halted by clearing **TXON** bit in the **MCMDR**.

PAU: Paused

Transmit is paused by a remote flow control command.

SQE: SQE error

After transmitting a frame, set if the fake collision signal did not come from the PHY for 1.6 μ s.

CCNT: Transmit Collision Count

Count of collisions during transmission of a single packet. After 16 collisions, **CCNT** is 1111, and **TXABT** is set.



7.5.2 EMC Register Mapping

This set of registers is used to convey status/control information to/from the Ethernet MAC controller. These registers are used for loading commands generated by user, indicating transmit and receive status, buffering data to/from memory, and providing interrupt control. The registers used by W90N740 EMC (Ethernet MAC controller) are divided into three groups:

- **CAM REGISTERS**
- **MAC REGISTERS**
- **DMA REGISTERS**

Note: registers are named as xxxx_0 or xxxx_1, where xxxx_0 is the register in EMC 0, and xxxx_1 is the register in EMC 1.

EMC 0 Control registers

| REGISTER | ADDRESS | R/W | DESCRIPTION | RESET VALUE |
|----------------------|-------------|-----|--------------------------------------|-------------|
| CAM REGISTERS | | | | |
| CAMCMR_0 | 0xFFF0.3000 | R/W | CAM Command Register | 0x0000.0000 |
| CAMEN_0 | 0xFFF0.3004 | R/W | CAM enable register | 0x0000.0000 |
| CAM0M_0 | 0xFFF0.3008 | R/W | CAM0 Most Significant Word Register | 0x0000.0000 |
| CAM0L_0 | 0xFFF0.300C | R/W | CAM0 Least Significant Word Register | 0x0000.0000 |
| CAM1M_0 | 0xFFF0.3010 | R/W | CAM1 Most Significant Word Register | 0x0000.0000 |
| CAM1L_0 | 0xFFF0.3014 | R/W | CAM1 Least Significant Word Register | 0x0000.0000 |
| CAM2M_0 | 0xFFF0.3018 | R/W | CAM2 Most Significant Word Register | 0x0000.0000 |
| CAM2L_0 | 0xFFF0.301C | R/W | CAM2 Least Significant Word Register | 0x0000.0000 |
| CAM3M_0 | 0xFFF0.3020 | R/W | CAM3 Most Significant Word Register | 0x0000.0000 |
| CAM3L_0 | 0xFFF0.3024 | R/W | CAM3 Least Significant Word Register | 0x0000.0000 |
| CAM4M_0 | 0xFFF0.3028 | R/W | CAM4 Most Significant Word Register | 0x0000.0000 |
| CAM4L_0 | 0xFFF0.302C | R/W | CAM4 Least Significant Word Register | 0x0000.0000 |
| CAM5M_0 | 0xFFF0.3030 | R/W | CAM5 Most Significant Word Register | 0x0000.0000 |
| CAM5L_0 | 0xFFF0.3034 | R/W | CAM5 Least Significant Word Register | 0x0000.0000 |
| CAM6M_0 | 0xFFF0.3038 | R/W | CAM6 Most Significant Word Register | 0x0000.0000 |
| CAM6L_0 | 0xFFF0.303C | R/W | CAM6 Least Significant Word Register | 0x0000.0000 |
| CAM7M_0 | 0xFFF0.3040 | R/W | CAM7 Most Significant Word Register | 0x0000.0000 |
| CAM7L_0 | 0xFFF0.3044 | R/W | CAM7 Least Significant Word Register | 0x0000.0000 |
| CAM8M_0 | 0xFFF0.3048 | R/W | CAM8 Most Significant Word Register | 0x0000.0000 |
| CAM8L_0 | 0xFFF0.304C | R/W | CAM8 Least Significant Word Register | 0x0000.0000 |
| CAM9M_0 | 0xFFF0.3050 | R/W | CAM9 Most Significant Word Register | 0x0000.0000 |

W90N740CD/W90N740CDG



EMC 0 Control registers, continued

| REGISTER | ADDRESS | R/W | DESCRIPTION | RESET VALUE |
|----------------------|-------------|-----|--|-------------|
| CAM REGISTERS | | | | |
| CAM9L_0 | 0xFFF0.3054 | R/W | CAM9 Least Significant Word Register | 0x0000.0000 |
| CAM10M_0 | 0xFFF0.3058 | R/W | CAM10 Most Significant Word Register | 0x0000.0000 |
| CAM10L_0 | 0xFFF0.305C | R/W | CAM10 Least Significant Word Register | 0x0000.0000 |
| CAM11M_0 | 0xFFF0.3060 | R/W | CAM11 Most Significant Word Register | 0x0000.0000 |
| CAM11L_0 | 0xFFF0.3064 | R/W | CAM11 Least Significant Word Register | 0x0000.0000 |
| CAM12M_0 | 0xFFF0.3068 | R/W | CAM12 Most Significant Word Register | 0x0000.0000 |
| CAM12L_0 | 0xFFF0.306C | R/W | CAM12 Least Significant Word Register | 0x0000.0000 |
| CAM13M_0 | 0xFFF0.3070 | R/W | CAM13 Most Significant Word Register | 0x0000.0000 |
| CAM13L_0 | 0xFFF0.3074 | R/W | CAM13 Least Significant Word Register | 0x0000.0000 |
| CAM14M_0 | 0xFFF0.3078 | R/W | CAM14 Most Significant Word Register | 0x0000.0000 |
| CAM14L_0 | 0xFFF0.307C | R/W | CAM14 Least Significant Word Register | 0x0000.0000 |
| CAM15M_0 | 0xFFF0.3080 | R/W | CAM15 Most Significant Word Register | 0x0000.0000 |
| CAM15L_0 | 0xFFF0.3084 | R/W | CAM15 Least Significant Word Register | 0x0000.0000 |
| MAC REGISTERS | | | | |
| MIEN_0 | 0xFFF0.3088 | R/W | MAC Interrupt Enable Register | 0x0000.0000 |
| MCMDR_0 | 0xFFF0.308C | R/W | MAC Command Register | 0x0000.0000 |
| MIID_0 | 0xFFF0.3090 | R/W | MII Management Data Register | 0x0000.0000 |
| MIIDA_0 | 0xFFF0.3094 | R/W | MII Management Data Control and Address Register | 0x0090.0000 |
| MPCNT_0 | 0xFFF0.3098 | R/W | Missed Packet counter register | 0x0000.7FFF |
| DMA REGISTERS | | | | |
| TXDLSA_0 | 0xFFF0.309C | R/W | Transmit Descriptor Link List Start Address register | 0xFFFF.FFFC |
| RXDLSA_0 | 0xFFF0.30A0 | R/W | Receive Descriptor Link List Start Address register | 0xFFFF.FFFC |
| DMARFC_0 | 0xFFF0.30A4 | R/W | DMA Receive Frame Control Register | 0x0000.0800 |
| TSDR_0 | 0xFFF0.30A8 | W | Transmit Start Demand Register | Undefined |
| RSDR_0 | 0xFFF0.30AC | W | Receive Start Demand Register | Undefined |
| FIFOTH_0 | 0xFFF0.30B0 | R/W | FIFO Threshold Adjustment Register | 0x0000.0101 |

W90N740CD/W90N740CDG



EMC 0 Status Registers

| REGISTER | ADDRESS | R/W | DESCRIPTION | RESET VALUE |
|----------------------|--------------|-----|--|-------------|
| MAC REGISTERS | | | | |
| MISTA_0 | 0xFFFF0.30B4 | R/W | MAC Interrupt Status Register | 0x0000.0000 |
| MGSTA_0 | 0xFFFF0.30B8 | R/W | MAC General Status Register | 0x0000.0000 |
| MRPC_0 | 0xFFFF0.30BC | R | MAC Receive Pause count register | 0x0000.0000 |
| MRPCC_0 | 0xFFFF0.30C0 | R | MAC Receive Pause Current Count Register | 0x0000.0000 |
| MREPC_0 | 0xFFFF0.30C4 | R | MAC Remote pause count register | 0x0000.0000 |
| DMA REGISTERS | | | | |
| DMARFS_0 | 0xFFFF0.30C8 | R/W | DMA Receive Frame Status Register | 0x0000.0000 |
| CTXDSA_0 | 0xFFFF0.30CC | R | Current Transmit Descriptor Start Address Register | 0x0000.0000 |
| CTXBSA_0 | 0xFFFF0.30D0 | R | Current Transmit Buffer Start Address Register | 0x0000.0000 |
| CRXDSA_0 | 0xFFFF0.30D4 | R | Current Receive Descriptor Start Address Register | 0x0000.0000 |
| CRXBSA_0 | 0xFFFF0.30D8 | R | Current Receive Buffer Start Address Register | 0x0000.0000 |

EMC 1 Control Registers

| REGISTER | ADDRESS | R/W | DESCRIPTION | RESET VALUE |
|----------------------|--------------|-----|--------------------------------------|-------------|
| CAM REGISTERS | | | | |
| CAMCMR_1 | 0xFFFF0.3800 | R/W | CAM Command Register | 0x0000.0000 |
| CAMEN_1 | 0xFFFF0.3804 | R/W | CAM enable register | 0x0000.0000 |
| CAM0M_1 | 0xFFFF0.3808 | R/W | CAM0 Most Significant Word Register | 0x0000.0000 |
| CAM0L_1 | 0xFFFF0.380C | R/W | CAM0 Least Significant Word Register | 0x0000.0000 |
| CAM1M_1 | 0xFFFF0.3810 | R/W | CAM1 Most Significant Word Register | 0x0000.0000 |
| CAM1L_1 | 0xFFFF0.3814 | R/W | CAM1 Least Significant Word Register | 0x0000.0000 |
| CAM2M_1 | 0xFFFF0.3818 | R/W | CAM2 Most Significant Word Register | 0x0000.0000 |
| CAM2L_1 | 0xFFFF0.381C | R/W | CAM2 Least Significant Word Register | 0x0000.0000 |
| CAM3M_1 | 0xFFFF0.3820 | R/W | CAM3 Most Significant Word Register | 0x0000.0000 |
| CAM3L_1 | 0xFFFF0.3824 | R/W | CAM3 Least Significant Word Register | 0x0000.0000 |
| CAM4M_1 | 0xFFFF0.3828 | R/W | CAM4 Most Significant Word Register | 0x0000.0000 |
| CAM4L_1 | 0xFFFF0.382C | R/W | CAM4 Least Significant Word Register | 0x0000.0000 |

W90N740CD/W90N740CDG



EMC 1 Control Registers, continued

| REGISTER | ADDRESS | R/W | DESCRIPTION | RESET VALUE |
|----------------------|-------------|-----|--|-------------|
| CAM REGISTERS | | | | |
| CAM5M_1 | 0xFFF0.3830 | R/W | CAM5 Most Significant Word Register | 0x0000.0000 |
| CAM5L_1 | 0xFFF0.3834 | R/W | CAM5 Least Significant Word Register | 0x0000.0000 |
| CAM6M_1 | 0xFFF0.3838 | R/W | CAM6 Most Significant Word Register | 0x0000.0000 |
| CAM6L_1 | 0xFFF0.383C | R/W | CAM6 Least Significant Word Register | 0x0000.0000 |
| CAM7M_1 | 0xFFF0.3840 | R/W | CAM7 Most Significant Word Register | 0x0000.0000 |
| CAM7L_1 | 0xFFF0.3844 | R/W | CAM7 Least Significant Word Register | 0x0000.0000 |
| CAM8M_1 | 0xFFF0.3848 | R/W | CAM8 Most Significant Word Register | 0x0000.0000 |
| CAM8L_1 | 0xFFF0.384C | R/W | CAM8 Least Significant Word Register | 0x0000.0000 |
| CAM9M_1 | 0xFFF0.3850 | R/W | CAM9 Most Significant Word Register | 0x0000.0000 |
| CAM9L_1 | 0xFFF0.3854 | R/W | CAM9 Least Significant Word Register | 0x0000.0000 |
| CAM10M_1 | 0xFFF0.3858 | R/W | CAM10 Most Significant Word Register | 0x0000.0000 |
| CAM10L_1 | 0xFFF0.385C | R/W | CAM10 Least Significant Word Register | 0x0000.0000 |
| CAM11M_1 | 0xFFF0.3860 | R/W | CAM11 Most Significant Word Register | 0x0000.0000 |
| CAM11L_1 | 0xFFF0.3864 | R/W | CAM11 Least Significant Word Register | 0x0000.0000 |
| CAM12M_1 | 0xFFF0.3868 | R/W | CAM12 Most Significant Word Register | 0x0000.0000 |
| CAM12L_1 | 0xFFF0.386C | R/W | CAM12 Least Significant Word Register | 0x0000.0000 |
| CAM13M_1 | 0xFFF0.3870 | R/W | CAM13 Most Significant Word Register | 0x0000.0000 |
| CAM13L_1 | 0xFFF0.3874 | R/W | CAM13 Least Significant Word Register | 0x0000.0000 |
| CAM14M_1 | 0xFFF0.3878 | R/W | CAM14 Most Significant Word Register | 0x0000.0000 |
| CAM14L_1 | 0xFFF0.387C | R/W | CAM14 Least Significant Word Register | 0x0000.0000 |
| CAM15M_1 | 0xFFF0.3880 | R/W | CAM15 Most Significant Word Register | 0x0000.0000 |
| CAM15L_1 | 0xFFF0.3884 | R/W | CAM15 Least Significant Word Register | 0x0000.0000 |
| MAC REGISTERS | | | | |
| MIEN_1 | 0xFFF0.3888 | R/W | MAC Interrupt Enable Register | 0x0000.0000 |
| MCMDR_1 | 0xFFF0.388C | R/W | MAC Command Register | 0x0000.0000 |
| MIID_1 | 0xFFF0.3890 | R/W | MII Management Data Register | 0x0000.0000 |
| MIIDA_1 | 0xFFF0.3894 | R/W | MII Management Data Control and Address Register | 0x0090.0000 |
| MPCNT_1 | 0xFFF0.3898 | R/W | Missed Packet counter register | 0x0000.7FFF |

W90N740CD/W90N740CDG



EMC 1 Control Registers, continued

| REGISTER | ADDRESS | R/W | DESCRIPTION | RESET VALUE |
|----------------------|-------------|-----|--|-------------|
| DMA REGISTERS | | | | |
| TXDLSA_1 | 0xFFF0.389C | R/W | Transmit Descriptor Link List Start Address register | 0xFFFF.FFFC |
| RXDLSA_1 | 0xFFF0.38A0 | R/W | Receive Descriptor Link List Start Address register | 0xFFFF.FFFC |
| DMARFC_1 | 0xFFF0.38A4 | R/W | DMA Receive Frame Control Register | 0x0000.0800 |
| TSDR_1 | 0xFFF0.38A8 | W | Transmit Start Demand Register | Undefined |
| RSDR_1 | 0xFFF0.38AC | W | Receive Start Demand Register | Undefined |
| FIFOTH_1 | 0xFFF0.38B0 | R/W | FIFO Threshold Adjustment Register | 0x0000.0101 |

EMC 1 Status Registers

| REGISTER | ADDRESS | R/W | DESCRIPTION | RESET VALUE |
|----------------------|-------------|-----|--|-------------|
| MAC REGISTERS | | | | |
| MISTA_1 | 0xFFF0.38B4 | R/W | MAC Interrupt Status Register | 0x0000.0000 |
| MGSTA_1 | 0xFFF0.38B8 | R/W | MAC General Status Register | 0x0000.0000 |
| MRPC_1 | 0xFFF0.38BC | R | MAC Receive Pause count register | 0x0000.0000 |
| MRPCC_1 | 0xFFF0.38C0 | R | MAC Receive Pause Current Count Register | 0x0000.0000 |
| MREPC_1 | 0xFFF0.38C4 | R | MAC Remote pause count register | 0x0000.0000 |
| DMA REGISTERS | | | | |
| DMARFS_1 | 0xFFF0.38C8 | R/W | DMA Receive Frame Status Register | 0x0000.0000 |
| CTXDSA_1 | 0xFFF0.38CC | R | Current Transmit Descriptor Start Address Register | 0x0000.0000 |
| CTXBSA_1 | 0xFFF0.38D0 | R | Current Transmit Buffer Start Address Register | 0x0000.0000 |
| CRXDSA_1 | 0xFFF0.38D4 | R | Current Receive Descriptor Start Address Register | 0x0000.0000 |
| CRXBSA_1 | 0xFFF0.38D8 | R | Current Receive Buffer Start Address Register | 0x0000.0000 |

CAM Command Register (CAMCMR_0, CAMCMR_1)

The three accept bits in the CAMCMR_x are used to override CAM rejections or accept ion. To place the MAC in promiscuous mode, use CAMCMR_x settings to accept packets with all three types of destination address. The three types of destination address packets are as follows:

1. Station packets, xxxxxxx0-xxxxxxx-xxxxxxx-xxxxxxx-xxxxxxx-xxxxxxx
2. Multicast packet, xxxxxx1-xxxxxxx-xxxxxxx-xxxxxxx-xxxxxxx-xxxxxxx. (but x not all 1)
3. Broadcast packet, 11111111-11111111-11111111-11111111-11111111-11111111

W90N740CD/W90N740CDG



| REGISTER | ADDRESS | R/W | DESCRIPTION | RESET VALUE |
|----------|--------------|-----|----------------------|-------------|
| CAMCMR_0 | 0xFFFF0.3000 | R/W | CAM Command Register | 0x0000.0000 |
| CAMCMR_1 | 0xFFFF0.3800 | R/W | CAM Command Register | 0x0000.0000 |

| | | | | | | | |
|----------|----|----|------|------|-----|-----|-----|
| 31 | 30 | 29 | 28 | 27 | 26 | 25 | 24 |
| Reserved | | | | | | | |
| 23 | 22 | 21 | 20 | 19 | 18 | 17 | 16 |
| Reserved | | | | | | | |
| 15 | 14 | 13 | 12 | 11 | 10 | 9 | 8 |
| Reserved | | | | | | | |
| 7 | 6 | 5 | 4 | 3 | 2 | 1 | 0 |
| Reserved | | | ECMP | CCAM | ABP | AMP | AUP |

ECMP [4]: Enable CAM Compare

Default value: 0

Set this bit to enable compare mode.

CCAM [3]: Complement CAM

Default value: 0

Set this bit to do complement CAM compare logic, and data packets rejected by CAM which can recognize the destination address.

ABP [2]: Accept Broadcast Packet

Default value: 0

Set this bit to accept any packet with a broadcast address.

AMP [1]: Accept Multicast Packet

Default value: 0

Set this bit to accept any packet with a multicast address.

AUP [0]: Accept Unicast Packet

Default value: 0

Set this bit to accept any packet with a unicast address.



CAM Enable Register (CAMEN_0, CAMEN_1)

The CAM enable register, CAMEN_x, indicates which CAM entries are valid, using a direct comparison mode. Up to 16 entries, numbered 0 through 15, may be active, depending on the CAM size. If the CAM is smaller than 16 entries, the higher bits are ignored.

| REGISTER | ADDRESS | R/W | DESCRIPTION | RESET VALUE |
|----------|-------------|-----|---------------------|-------------|
| CAMEN_0 | 0xFFF0.3004 | R/W | CAM enable register | 0x0000.0000 |
| CAMEN_1 | 0xFFF0.3804 | R/W | CAM enable register | 0x0000.0000 |

| 31 | 30 | 29 | 28 | 27 | 26 | 25 | 24 |
|----------|---------|---------|---------|---------|---------|--------|--------|
| Reserved | | | | | | | |
| 23 | 22 | 21 | 20 | 19 | 18 | 17 | 16 |
| Reserved | | | | | | | |
| 15 | 14 | 13 | 12 | 11 | 10 | 9 | 8 |
| CAM15EN | CAM14EN | CAM13EN | CAM12EN | CAM11EN | CAM10EN | CAM9EN | CAM8EN |
| 7 | 6 | 5 | 4 | 3 | 2 | 1 | 0 |
| CAM7EN | CAM6EN | CAM5EN | CAM4EN | CAM3EN | CAM2EN | CAM1EN | CAM0EN |

CAMxEN (x: 15 ~ 0) [15:0] : CAM Enable bits

Default value: 0

Set the bits in this 16-bit value to selectively enable entry locations from 0 through 15. For example, bit 0 is associated with Entry CAM0, and bit 1 is associated with Entry CAM1, ...etc. To disable an entry location, clear the appropriate bit.

Note: The CAM13EN, CAM14EN, and CAM15EN has to be set for sending pause control packet.

CAM Address Registers (CAMxx_0, CAMxx_1)

There are 16 entries for the Destination Address (entries 0~12) and the Pause Control Packet (entries 13~15). For the destination address values, one destination address consists of 6 bytes with 2-word access port.

To send a Pause Control Packet, write in the register set {CAM13M, CAM13L} with the destination address, the {CAM14M, CAM14L} entry with the source address, and the {CAM15M, CAM15L} entry with length/type, op-code, and operand, then set the SDPZ bit in the MCMR (MAC Command Register).

The CPU uses the CAM address register as a database for destination address. To activate the CAM function, the appropriate enable bit has to be set in the CAMEN register.

W90N740CD/W90N740CDG



| REGISTER | ADDRESS | R/W | DESCRIPTION | RESET VALUE |
|----------|--------------|-----|---------------------------------------|-------------|
| CAM0M_0 | 0xFFFF0.3008 | R/W | CAM0 Most Significant Word Register | 0x0000.0000 |
| CAM0L_0 | 0xFFFF0.300C | | CAM0 Least Significant Word Register | 0x0000.0000 |
| | | | | |
| CAM15M_0 | 0xFFFF0.3080 | | CAM15 Most Significant Word Register | 0x0000.0000 |
| CAM15L_0 | 0xFFFF0.3084 | | CAM15 Least Significant Word Register | 0x0000.0000 |
| CAM0M_1 | 0xFFFF0.3808 | R/W | CAM0 Most Significant Word Register | 0x0000.0000 |
| CAM0L_1 | 0xFFFF0.380C | | CAM0 Least Significant Word Register | 0x0000.0000 |
| | | | | |
| CAM15M_1 | 0xFFFF0.3880 | | CAM15 Most Significant Word Register | 0x0000.0000 |
| CAM15L_1 | 0xFFFF0.3884 | | CAM15 Least Significant Word Register | 0x0000.0000 |

CAMxM (CAM15M excluded)

| | | | | | | | |
|--|----|----|----|----|----|----|----|
| 31 | 30 | 29 | 28 | 27 | 26 | 25 | 24 |
| Destination Address Byte 6 (Most Significant Byte) | | | | | | | |
| 23 | 22 | 21 | 20 | 19 | 18 | 17 | 16 |
| Destination Address Byte 5 | | | | | | | |
| 15 | 14 | 13 | 12 | 11 | 10 | 9 | 8 |
| Destination Address Byte 4 | | | | | | | |
| 7 | 6 | 5 | 4 | 3 | 2 | 1 | 0 |
| Destination Address Byte 3 | | | | | | | |

CAMxL (CAM15L excluded)

| | | | | | | | |
|----------------------------|----|----|----|----|----|----|----|
| 31 | 30 | 29 | 28 | 27 | 26 | 25 | 24 |
| Destination Address Byte 2 | | | | | | | |
| 23 | 22 | 21 | 20 | 19 | 18 | 17 | 16 |
| Destination Address Byte 1 | | | | | | | |
| 15 | 14 | 13 | 12 | 11 | 10 | 9 | 8 |
| Reserved | | | | | | | |
| 7 | 6 | 5 | 4 | 3 | 2 | 1 | 0 |
| Reserved | | | | | | | |

{CAMxM, CAMxL} : destination address (6 byte), with 2 bytes in CAMxL and 4 bytes in CAMxM, (CAM15M and CAM15L excluded).

For example, if the address of Entry CAM 1 is desired to store 12-34-56-78-90-13, then the content of CAM1M is 12-34-56-78, and the content of CAM1L is 90-13-00-00.



CAM15M (for Pause Control Packet)

| | | | | | | | |
|---|----|----|----|----|----|----|----|
| 31 | 30 | 29 | 28 | 27 | 26 | 25 | 24 |
| Length / Type (2 bytes) (Most Significant Byte) | | | | | | | |
| 23 | 22 | 21 | 20 | 19 | 18 | 17 | 16 |
| Length / Type (2 bytes) | | | | | | | |
| 15 | 14 | 13 | 12 | 11 | 10 | 9 | 8 |
| Op-code (2 bytes) (Most Significant Byte) | | | | | | | |
| 7 | 6 | 5 | 4 | 3 | 2 | 1 | 0 |
| Op-code (2 bytes) | | | | | | | |

CAM15L (for Pause Control Packet)

| | | | | | | | |
|---|----|----|----|----|----|----|----|
| 31 | 30 | 29 | 28 | 27 | 26 | 25 | 24 |
| Operand (2 bytes) (Most Significant Byte) | | | | | | | |
| 23 | 22 | 21 | 20 | 19 | 18 | 17 | 16 |
| Operand (2 bytes) | | | | | | | |
| 15 | 14 | 13 | 12 | 11 | 10 | 9 | 8 |
| Reserved | | | | | | | |
| 7 | 6 | 5 | 4 | 3 | 2 | 1 | 0 |
| Reserved | | | | | | | |

{CAM15M, CAM15L} entry is the Length/Type, Op-code, and operand of the Pause Control Frame. The Length/Type field is 88-08(h), and the Op-code is 00-01(h).

MAC Interrupt Enable Register (MIEN_0, MIEN_1)

| REGISTER | ADDRESS | R/W | DESCRIPTION | RESET VALUE |
|----------|-------------|-----|-------------------------------|-------------|
| MIEN_1 | 0xFFF0.3088 | R/W | MAC Interrupt Enable Register | 0x0000.0000 |
| MIEN_2 | 0xFFF0.3888 | R/W | MAC Interrupt Enable Register | 0x0000.0000 |

| | | | | | | | |
|----------|-------|----------|---------|----------|--------|---------|----------|
| 31 | 30 | 29 | 28 | 27 | 26 | 25 | 24 |
| Reserved | | | | | | | EnTxBErr |
| 23 | 22 | 21 | 20 | 19 | 18 | 17 | 16 |
| EnTDU | EnLC | EnTXABT | EnNCS | EnEXDEF | EnTXCP | EnTXEMP | EnTXINTR |
| 15 | 14 | 13 | 12 | 11 | 10 | 9 | 8 |
| Reserved | EnCFR | EnNATerr | EnNATOK | EnRxBErr | EnRDU | EnDEN | EnDFO |
| 7 | 6 | 5 | 4 | 3 | 2 | 1 | 0 |
| EnMMP | EnRP | EnALIE | EnRXGD | EnPTLE | EnRXOV | EnCRCE | EnRXINTR |



EnTxBErr [24]: Enable Transmit Bus ERROR interrupt

Default value: 0

Set this bit to enable the interrupt, which is generated if system bus access error from Tx to system memory occurred. If the interrupt is triggered, the Tx state machine will stay at Halt state. The software reset is recommended while this interrupt occurred.

EnTDU [23]: Enable Transmit Descriptor Unavailable interrupt

Default value: 0

Set this bit to enable the interrupt, which is generated if transmit descriptors owned to the TxDMA is unavailable. That means, if the TxDMA finds the ownership of descriptors is not belonged to TxDMA, it will generate an interrupt and Tx operation will be ceased till the user issues a write command to Transmit Start Demand register to restart Tx operation.

EnLC [22]: Enable Late Collision interrupt

Default value: 0

Set this bit to enable the interrupt, which is generated if a collision occurs after 512 bit times.

EnTXABT [21]: Enable Transmit Abort interrupt

Default value: 0

Set this bit to enable the interrupt, which is generated to indicate 16 collisions occur while transmitting the same packet.

EnNCS [20]: Enable No Carrier Sense interrupt

Default value: 0

Set this bit to enable the interrupt, which is generated to indicate no carrier sense is presented during transmission.

EnEXDEF [19]: Enable Defer interrupt

Default value: 0

Set this bit to enable the interrupt, which is generated to indicate that the defer time exceeding 0.32768ms operated at 100Mbps/s or 3.2768ms operated at 10Mbps/s.

EnTXCP [18]: Enable Transmit Completion interrupt

Default value: 0

Set this bit to enable the interrupt, which is generated when the MAC transmits, or discards one packet.

EnTXEMP [17]: Enable Transmit FIFO Empty interrupt

Default value: 0

Set this bit to enable the interrupt, which is generated when MAC transmit FIFO becomes empty (underflow) during a packet transmission.



EnTXINTR [16]: Enable Interrupt on Transmit interrupt

Default value: 0

Set this bit to enable the interrupt, which is generated if a transmission of a packet causes an interrupt condition.

EnCFR [13]: Enable Control Frame Receive Interrupt

Default value: 0

Set this bit to enable the interrupt, which is generated if the incoming frame is a MAC control frame.

EnNATerr [13]: Enable NAT Processing Error Interrupt

Default value: 0

Set this bit to enable the interrupt, which is generated if there is any error during NAT processing.

EnNATOK [12]: Enable NAT Processing OK Interrupt

Default value: 0

Set this bit to enable the interrupt, which is generated if there is no error during NAT processing.

EnRxBErr [11]: Enable Receive Bus ERROR interrupt

Default value: 0

Set this bit to enable the interrupt, which is generated if system bus access error from Rx to system memory occurred. If the interrupt is triggered, the Rx state machine will stay at Halt state. The software reset is recommended while this interrupt occurred.

EnRDU [10]: Enable Receive Descriptor Unavailable interrupt

Default value: 0

Set this bit to enable the interrupt, which is generated if receive descriptors owned to the RxDMA is unavailable. That means, if the RxDMA finds the ownership of descriptors is not belonged to RxDMA, it will generate an interrupt and Rx operation will be ceased till the user issues a write command to Receive Start Demand register to restart the Rx operation.

EnDEN [9]: Enable DMA early notification interrupts

Default value: 0

Set this bit to enable the interrupt, when the length field of the current frame is received.

EnDFO [8]: Enable DMA receive frame over maximum size interrupt

Default value: 0

Set this bit to enable the interrupt, when the received frame size is larger than the value stored in **RXMS**.



EnMMP [7]: Enable More Missed Packets interrupt

Default value: 0

Set this bit to enable the interrupt, which is generated when the missed error counter rolls over.

EnRP [6]: Enable Runt Packet on Receive interrupt

Default value: 0

Set this bit to enable the interrupt, which is generated if the MAC receives a frame shorter less than 64 bytes.

EnALIE [5]: Enable Alignment Error interrupt

Default value: 0

Set this bit to enable the interrupt, which is generated if the frame length in bits was not a multiple of eight.

EnRXGD [4]: Enable Receive Good interrupt

Default value: 0

Set this bit to enable the interrupt, which is generated if a packet was successfully received with no errors.

EnPTLE [3]: Enable Packet Too Long interrupt

Default value: 0

Set this bit to enable the interrupt, which is generated if the MAC received a frame longer than 1518 bytes (unless ALP in MCMDR is set).

EnRXOV [2]: Enable Receive FIFO Overflow interrupt

Default value: 0

Set this bit to enable the interrupt, which is generated if the MAC receives FIFO was full when receiving a frame.

EnCRCE [1]: Enable CRC Error interrupt

Default value: 0

Set this bit to enable the interrupt, which is generated if the CRC at the end of a packet is not correct, or else the PHY asserted Rx_er during packet reception.

EnRXINTR [0]: Enable Interrupt on Receive interrupt

Default value: 0

Set this bit to enable the interrupt, which is generated if the reception of a packet caused an interrupt to be generated. This includes a good received interrupt, if the EnRXGD bit is set.

W90N740CD/W90N740CDG



MAC Command Register (MCMDR_0, MCMDR_1)

The MAC command register provides global control information for the MAC. MAC command register settings affect both transmission and reception. The user can also control transmit and receive operation separately. To select customized operating features, users should write this register during system initialization. This way, users will not need to write or read it again during normal operation. However, if users change setting during operation, the updated setting will take effect after the current frame is completed.

| REGISTER | ADDRESS | R/W | DESCRIPTION | RESET VALUE |
|----------|--------------|-----|----------------------|-------------|
| MCMDR_0 | 0xFFFF0.308C | R/W | MAC Command Register | 0x0000.0000 |
| MCMDR_1 | 0xFFFF0.388C | R/W | MAC Command Register | 0x0000.0000 |

| | | | | | | | |
|----------|--------|-------|-------|-------|------|----------|------|
| 31 | 30 | 29 | 28 | 27 | 26 | 25 | 24 |
| Reserved | | | | | | Reserved | LAN |
| 23 | 22 | 21 | 20 | 19 | 18 | 17 | 16 |
| LPCS | EnRMII | LBK | OPMOD | EnMDC | FDUP | Reserved | SDPZ |
| 15 | 14 | 13 | 12 | 11 | 10 | 9 | 8 |
| Reserved | | | | | | NDEF | TXON |
| 7 | 6 | 5 | 4 | 3 | 2 | 1 | 0 |
| Reserved | | SPCRC | AEP | ACP | ARP | ALP | RXON |

Reserved [25]:
Default value: 0

LAN [24]: LAN Port Setting Mode

Default value: 0

Set this bit to set this EMC port as a LAN port, and clear this bit to set the EMC port as a WAN port. The S/W program must initial an EMC as a LAN port, and another EMC as a WAN port (for example, EMC 0 as a LAN port and EMC 1 as a WAN port) to let the NAT accelerator work properly.

LPCS [23]: Low Pin Count Package Switch

Always set: 0

EnRMII [22]: Enable RMII

Default value: 0

Set this bit to select RMII interface.



| MAC 1 BIT [23:22] LPCS: ENRMII | MAC 0 BIT [23:22] LPCS ^{*1} : ENRMII | MAC 1 INTERFACE | MAC 0 INTERFACE | NOTE |
|-----------------------------------|--|-----------------|-----------------|--|
| 00 | X0 | MII | MII | *1: the LPCS of MAC0 bit23 is undefined, which not affect MAC 0 Interface. |
| 00 | X1 | MII | RMII | |
| 01 | X0 | RMII | MII | |
| 01 | X1 | RMII | RMII | |

LBK [21]: Loop Back

Default value: 0

Set this bit to enable MAC internal loop back mode.

OPMOD [20]: Operation Mode

Default value: 0

Set this bit to enable MAC to be operated at 100Mb/s. Clear this bit to enable MAC to be operated at 10Mb/s.

EnMDC [19]: Enable MDC signal

Default value: 0

Set this bit to enable MDC clock generation. Clear this bit to disable MDC clock generation.

If users want to access the MII management data, the **EnMDC** bit should be set to enable MDC clock.

FDUP [18]: Full Duplex

Default value: 0

Set this bit to perform the full duplex function.

Reserved [17]:

Default value: 0

SDPZ [16]: Send Pause

Default value: 0

Set this bit to send a pause command or other MAC control packet. The SDPZ bit will be automatically cleared after the MAC control packet has been transmitted. Write zero to this bit has no effect.

NDEF [9]: No defer

Default value: 0

Set this bit to disable defer counter.

TXON [8]: Transmit On

Default value: 0

When this bit is set, the transmission process will be started. If the bit is clear, transmissions will stop after the current packet is transmitted completely. Users should change the bit when the MAC is in idle state.

W90N740CD/W90N740CDG



SPCRC [5]: Accept Strip CRC Value

Default value: 0

Set this bit to enable MAC to check the CRC and then strip it from the message.

AEP [4]: Accept Error Packet

Default value: 0

Set this bit to enable MAC to accept error (CRC error) packet.

ACP [3]: Accept Control Packet

Default value : 0

Set this bit to enable accept control packets.

ARP [2]: Accept Runt Packet

Default value: 0

Set this bit to enable accepting frames with lengths less than 64 bytes.

ALP [1]: Accept Long Packet

Default value: 0

Set this bit to enable accepting frames with lengths greater than 1518 bytes.

RXON [0]: Receive ON

Default value: 0

This bit is set to enable MAC reception operation. If the bit is clear, receptions will stop after the current packet is received completely. Users should change the bit when the MAC is in idle state.

MAC MII Management Data Register (MIID_0, MIID_1)

W90N740 provides MII management function to let user access the registers of the external physical layer device. Setting options in MII management registers does not affect the MAC controller operation.

| REGISTER | ADDRESS | R/W | DESCRIPTION | RESET VALUE |
|----------|-------------|-----|------------------------------|-------------|
| MIID_0 | 0xFFF0.3090 | R/W | MII Management Data Register | 0x0000.0000 |
| MIID_1 | 0xFFF0.3890 | R/W | MII Management Data Register | 0x0000.0000 |

| | | | | | | | |
|----------|----|----|----|----|----|----|----|
| 31 | 30 | 29 | 28 | 27 | 26 | 25 | 24 |
| Reserved | | | | | | | |
| 23 | 22 | 21 | 20 | 19 | 18 | 17 | 16 |
| Reserved | | | | | | | |
| 15 | 14 | 13 | 12 | 11 | 10 | 9 | 8 |
| MIIData | | | | | | | |
| 7 | 6 | 5 | 4 | 3 | 2 | 1 | 0 |
| MIIData | | | | | | | |

W90N740CD/W90N740CDG



MIIData [15:0]: MII station management data

This register contains a 16-bit data value for the MII station management function.

MAC MII Management Data Control and Address Register (MIIDA_0, MIIDA_1)

| REGISTER | ADDRESS | R/W | DESCRIPTION | RESET VALUE |
|----------|-------------|-----|--|-------------|
| MIIDA_0 | 0xFFF0.3094 | R/W | MII Management Data Control and Address Register | 0x00A0.0000 |
| MIIDA_1 | 0xFFF0.3894 | R/W | MII Management Data Control and Address Register | 0x00A0.0000 |

| 31 | 30 | 29 | 28 | 27 | 26 | 25 | 24 |
|----------|----|----|----|--------|-------|------|----|
| Reserved | | | | | | | |
| 23 | 22 | 21 | 20 | 19 | 18 | 17 | 16 |
| MDCCR | | | | MDCON | PreSP | BUSY | WR |
| 15 | 14 | 13 | 12 | 11 | 10 | 9 | 8 |
| Reserved | | | | PHYAD | | | |
| 7 | 6 | 5 | 4 | 3 | 2 | 1 | 0 |
| Reserved | | | | PHYRAD | | | |

MDCCR [23:20]: MDC clock rating

Default value: **0x009**

The 4-bit value is to set the MDC clock period.

| MDCCR [23:20] | | | | MDC clock period |
|---------------|---|---|---|------------------|
| 0 | 0 | 0 | 0 | 4 x (1/Fmclk) |
| 0 | 0 | 0 | 1 | 6 x (1/Fmclk) |
| 0 | 0 | 1 | 0 | 8 x (1/Fmclk) |
| 0 | 0 | 1 | 1 | 12 x (1/Fmclk) |
| 0 | 1 | 0 | 0 | 16 x (1/Fmclk) |
| 0 | 1 | 0 | 1 | 20 x (1/Fmclk) |
| 0 | 1 | 1 | 0 | 24 x (1/Fmclk) |
| 0 | 1 | 1 | 1 | 28 x (1/Fmclk) |
| 1 | 0 | 0 | 0 | 30 x (1/Fmclk) |
| 1 | 0 | 0 | 1 | 32 x (1/Fmclk) |
| 1 | 0 | 1 | 0 | 36 x (1/Fmclk) |
| 1 | 0 | 1 | 1 | 40 x (1/Fmclk) |
| 1 | 1 | 0 | 0 | 44 x (1/Fmclk) |
| 1 | 1 | 0 | 1 | 48 x (1/Fmclk) |
| 1 | 1 | 1 | 0 | 54 x (1/Fmclk) |
| 1 | 1 | 1 | 1 | 60 x (1/Fmclk) |

Default MDCCR [23:20] = 9



Users should set the MDC clock setting to meet the PHY requirement (maximum 2.5MHz). Besides, the MCLK (HCLK) frequency ranges from 10 MHz to 150 MHz (set MDC 2.5MHz).

MDCON [19]: MDC Clock On Always

Default value: 0

If this bit was set, the MDC clock will always active. Otherwise, the MDC clock will active only when the EnMDC of MCMR and BUSY of MIIDA are both set. In other words, the MDC clock will be turned off after the station management command finished. This bit is only for debug.

PreSP [18]: Preamble Suppress

Default value: 0

If this bit is set, then the preamble is not sent to PHY.

BUSY [17]: Busy bit

Default value: 0

Set this bit to start a MII management read or write-operation. The MAC controller clears this bit automatically when the operation is completed.

WR [16]: Write/Read

Default value: 0

Set this bit for a MII management write-operation. Reset the bit for a read operation.

PHYAD [12:8]: PHY Address

Default value: 0

The 5-bit address is the PHY device address to be accessed.

PHYRAD [4:0]: PHY Register Address

Default value: 0

The 5-bit address is the register address contained in the PHY to be accessed.

The MIIDA register is used to specify the control function and the data message passing for the external physical layer device (PHY). The detail protocol and timings for the read and the write operation, respectively, of the MII management function are illustrated as the figure below. Each bit in the management data frame (MDIO) are synchronized at the rising edge of the MII management clock (MDC).

MII Management Protocol

| MII MANAGEMENT PROTOCOL | | | | | | | | |
|-------------------------|----------|-------|-----------|---------|------------|----|---------|------|
| ACCESS | PREAMBLE | START | OPERATION | PHYADDR | PHYREGADDR | TA | DATA | IDLE |
| READ | 1.... 1 | 01 | 10 | AAAAA | RRRRR | Z0 | 16 bits | Z |
| WRITE | 1.... 1 | 01 | 01 | AAAAA | RRRRR | 10 | 16 bits | Z |



MAC Missed Packet Count register (MPCNT_0, MPCNT_1)

The value in the MAC Missed Packet Count register (MPCNT) indicates the number of packets that were discarded due to various types of errors. Together with status information on packets transmitted and received, the **MPCNT** and these two pause count registers provide the information required for station management.

Users can read the **MPCNT** to get current missed packet counter value and clears the register (read clear). It is the responsibility of software to maintain a global count with more bits of precision. However, users can write the **MPCNT** to set the initial value of counter overflow and start to count. The counter overflow value ranges from 0x0000 to 0xFFFF (default value: 0x7FFF). It sets the corresponding bit (MMP) in the MISTA and generates an interrupt if overflow is occurred and the corresponding interrupt enable bit is set.

| REGISTER | ADDRESS | R/W | DESCRIPTION | RESET VALUE |
|----------|-------------|-----|--------------------------------|-------------|
| MPCNT_0 | 0xFFF0.3098 | R/W | Missed Packet counter register | 0x0000.7FFF |
| MPCNT_1 | 0xFFF0.3898 | R/W | Missed Packet counter register | 0x0000.7FFF |

| | | | | | | | |
|----------|----|----|----|----|----|----|----|
| 31 | 30 | 29 | 28 | 27 | 26 | 25 | 24 |
| Reserved | | | | | | | |
| 23 | 22 | 21 | 20 | 19 | 18 | 17 | 16 |
| Reserved | | | | | | | |
| 15 | 14 | 13 | 12 | 11 | 10 | 9 | 8 |
| MPCNT | | | | | | | |
| 7 | 6 | 5 | 4 | 3 | 2 | 1 | 0 |
| MPCNT | | | | | | | |

MPCNT [15:0]: MAC Missed Packet Count

Default value: **0x7FFF**

It indicates the number of packets that were discarded due to various types of errors.

This counter indicates the following kinds of error:

Dribbling Bits error count (AECnt): The number of packets received with alignment errors. The counter will be increment at the end of packet reception if the MISTA indicates the alignment errors.

Frame discarded error count (RXFDCnt): The number of packets discarded by MAC because of receive FIFO overflows, or because the RxON bit is cleared. This count does not include the number of packets rejected by the CAM.

CRC error count (CECnt): The number of packets received with a CRC error. The counter will be increment at the end of packet reception if the MISTA indicates the CRC errors.

W90N740CD/W90N740CDG



DMA Transmit Descriptor Link-list Start Address Register (TXDLSA_0, TXDLSA_1)

| REGISTER | ADDRESS | R/W | DESCRIPTION | RESET VALUE |
|----------|--------------|-----|--|-------------|
| TXDLSA_0 | 0xFFFF0.309C | R/W | Transmit Descriptor Link-list Start Address register | 0xFFFF.FFFC |
| TXDLSA_1 | 0xFFFF0.389C | R/W | Transmit Descriptor Link-list Start Address register | 0xFFFF.FFFC |

| | | | | | | | |
|--------|----|----|----|----|----|----|----|
| 31 | 30 | 29 | 28 | 27 | 26 | 25 | 24 |
| TXDLSA | | | | | | | |
| 23 | 22 | 21 | 20 | 19 | 18 | 17 | 16 |
| TXDLSA | | | | | | | |
| 15 | 14 | 13 | 12 | 11 | 10 | 9 | 8 |
| TXDLSA | | | | | | | |
| 7 | 6 | 5 | 4 | 3 | 2 | 1 | 0 |
| TXDLSA | | | | | | | |

TXDLSA [31:0]: DMA transmit descriptor link list start address

Default value: 0xFFFF.FFFC

This register defines the transmit descriptor link list start address for transmission process. While software first turn on TxDMA after the hardware reset or software reset, the content of this register will be loaded into the current transmit descriptor start address. The value of this register will not be updated during any hardware operation. The system would ignore the least 2 significant bits to fit word alignment.

DMA Receive Descriptor Link List Start Address Register (RXDLSA_0, RXDLSA_1)

| REGISTER | ADDRESS | R/W | DESCRIPTION | RESET VALUE |
|----------|--------------|-----|---|-------------|
| RXDLSA_0 | 0xFFFF0.30A0 | R/W | Receive Descriptor Link List Start Address register | 0xFFFF.FFFC |
| RXDLSA_1 | 0xFFFF0.38A0 | R/W | Receive Descriptor Link List Start Address register | 0xFFFF.FFFC |

| | | | | | | | |
|--------|----|----|----|----|----|----|----|
| 31 | 30 | 29 | 28 | 27 | 26 | 25 | 24 |
| RXDLSA | | | | | | | |
| 23 | 22 | 21 | 20 | 19 | 18 | 17 | 16 |
| RXDLSA | | | | | | | |
| 15 | 14 | 13 | 12 | 11 | 10 | 9 | 8 |
| RXDLSA | | | | | | | |
| 7 | 6 | 5 | 4 | 3 | 2 | 1 | 0 |
| RXDLSA | | | | | | | |



RXDLSA [31:0]: DMA receive descriptor link list start address

Default value: 0xFFFF.FFFC

This register defines the receive descriptor link list start address for frame reception process. While software first turn on RxDMA after the hardware reset or software reset, the content of this register will be loaded into the current receive descriptor start address. The value of this register will not be updated during any hardware operation. The system would ignore the least 2 significant bits to fit word alignment.

DMA Receive Frame Control Register (DMARFC_0, DMARFC_1)

| REGISTER | ADDRESS | R/W | DESCRIPTION | RESET VALUE |
|----------|-------------|-----|------------------------------------|-------------|
| DMARFC_0 | 0xFFFF.30A4 | R/W | DMA Receive Frame Control Register | 0x0000.0800 |
| DMARFC_1 | 0xFFFF.38A4 | R/W | DMA Receive Frame Control Register | 0x0000.0800 |

| | | | | | | | |
|----------|----|----|----|----|----|----|----|
| 31 | 30 | 29 | 28 | 27 | 26 | 25 | 24 |
| Reserved | | | | | | | |
| 23 | 22 | 21 | 20 | 19 | 18 | 17 | 16 |
| Reserved | | | | | | | |
| 15 | 14 | 13 | 12 | 11 | 10 | 9 | 8 |
| RXMS | | | | | | | |
| 7 | 6 | 5 | 4 | 3 | 2 | 1 | 0 |
| RXMS | | | | | | | |

RXMS [15:0]: DMA receive frame maximum size

Default value: 0800h

This value controls the maximum bytes for a received frame can be saved to memory. If the received frame size exceeds the value stored in this location and the **EnDFO** is set, an error interrupt is reported. The default maximum size is 2K bytes.



Transmit Start Demand Register (TSDR_0, TSDR_1)

| REGISTER | ADDRESS | R/W | DESCRIPTION | RESET VALUE |
|----------|--------------|-----|--------------------------------|-------------|
| TSDR_0 | 0xFFFF0.30A8 | W | Transmit Start Demand Register | Undefined |
| TSDR_1 | 0xFFFF0.38A8 | W | Transmit Start Demand Register | Undefined |

| | | | | | | | |
|------|----|----|----|----|----|----|----|
| 31 | 30 | 29 | 28 | 27 | 26 | 25 | 24 |
| TSDR | | | | | | | |
| 23 | 22 | 21 | 20 | 19 | 18 | 17 | 16 |
| TSDR | | | | | | | |
| 15 | 14 | 13 | 12 | 11 | 10 | 9 | 8 |
| TSDR | | | | | | | |
| 7 | 6 | 5 | 4 | 3 | 2 | 1 | 0 |
| TSDR | | | | | | | |

TSDR [31:0]: Transmit Start Demand Register

Default value: Undefined

While the transmit descriptor is unavailable, the Tx state machine will enter Halt state. The user has to issue a write command with any data to Transmit Start Demand register to restart the Tx operation. Only while Tx state machine stay at Halt state, the write command to Transmit Start Demand register can affect the Tx operation.

Receive Start Demand Register (RSDR_0, RSDR_1)

| REGISTER | ADDRESS | R/W | DESCRIPTION | RESET VALUE |
|----------|--------------|-----|-------------------------------|-------------|
| RSDR_0 | 0xFFFF0.30AC | W | Receive Start Demand Register | Undefined |
| RSDR_1 | 0xFFFF0.38AC | W | Receive Start Demand Register | Undefined |

| | | | | | | | |
|------|----|----|----|----|----|----|----|
| 31 | 30 | 29 | 28 | 27 | 26 | 25 | 24 |
| RSDR | | | | | | | |
| 23 | 22 | 21 | 20 | 19 | 18 | 17 | 16 |
| RSDR | | | | | | | |
| 15 | 14 | 13 | 12 | 11 | 10 | 9 | 8 |
| RSDR | | | | | | | |
| 7 | 6 | 5 | 4 | 3 | 2 | 1 | 0 |
| RSDR | | | | | | | |

RSDR [31:0]: Receive Start Demand Register

Default value: Undefined

While the receive descriptor is unavailable, the Rx state machine will enter Halt state. The user has to issue a write command with any data to Receive Start Demand register to restart the Rx operation. Only while Rx state machine stay at Halt state, the write command to Receive Start Demand register can affect the Rx operation.

W90N740CD/W90N740CDG



FIFO Threshold Adjustment Register (FIFOTHD_0, FIFOTHD_1)

| REGISTER | ADDRESS | R/W | DESCRIPTION | RESET VALUE |
|-----------|--------------|-----|------------------------------------|-------------|
| FIFOTHD_0 | 0xFFFF0.30B0 | R/W | FIFO Threshold Adjustment Register | 0x0000.0101 |
| FIFOTHD_1 | 0xFFFF0.38B0 | R/W | FIFO Threshold Adjustment Register | 0x0000.0101 |

| 31 | 30 | 29 | 28 | 27 | 26 | 25 | 24 |
|----------|----|---------|----|----------|----|-------|-----|
| Reserved | | | | | | | |
| 23 | 22 | 21 | 20 | 19 | 18 | 17 | 16 |
| Reserved | | Blength | | Reserved | | | SWR |
| 15 | 14 | 13 | 12 | 11 | 10 | 9 | 8 |
| Reserved | | | | | | TxTHD | |
| 7 | 6 | 5 | 4 | 3 | 2 | 1 | 0 |
| Reserved | | | | | | RxTHD | |

Blength [21:20]: DMA burst length

Default value: 0h

Value setting:

- 00b: 4 beats
- 01b: 8 beats
- 10b: 16 beats
- 11b: 16 beats

SWR [16]: software reset

Default value: 0h

Software reset. After a reset is complete, the MAC controller will clear the SWR reset bit.

TxTHD [9:8]: Transmit FIFO Lower threshold Register

Default value: 1h

Value setting:

- 00b: forbidden
- 01b: 32 bytes (i.e. high threshold 64 bytes)
- 10b: 64 bytes (i.e. high threshold 128 bytes)
- 11b: 96 bytes (i.e. high threshold 192 bytes)

This value controls the transmit FIFO low threshold. If transmitting packet number is less than the setting value, Tx DMA will request the arbiter to get data from memory.



RxTHD [1:0]: Receive FIFO Upper threshold Register

Default value: 1h

Value setting:

- 00b: Depend on the burst length setting
- 01b: 64 bytes (i.e. low threshold 32 bytes)
- 10b: 128 bytes (i.e. low threshold 64 bytes)
- 11b: 192 bytes (i.e. low threshold 96 bytes)

This value controls the receive FIFO high threshold. If receiving packet number is greater than the setting value, Rx DMA will request the arbiter to send data into memory.

MAC Interrupt Status Register (MISTA_0, MISTA_1)

The MAC event register is used as the Ethernet event register to generate interrupts and report events recognized by MAC controller. When an event is recognized, the MAC controller sets the corresponding MISTA bit. Interrupts are enabled by setting, and masked by clearing, the equivalent bits in the MAC Interrupt Enable Register (MIEN). The MISTA bits are cleared by write ones; writing zeros has no effect.

| REGISTER | ADDRESS | R/W | DESCRIPTION | RESET VALUE |
|----------|-------------|-----|-------------------------------|-------------|
| MISTA_0 | 0xFFF0.30B4 | R/W | MAC Interrupt Status Register | 0x0000.0000 |
| MISTA_1 | 0xFFF0.38B4 | R/W | MAC Interrupt Status Register | 0x0000.0000 |

| 31 | 30 | 29 | 28 | 27 | 26 | 25 | 24 |
|----------|-----|--------|-------|--------|------|-------|--------|
| Reserved | | | | | | | TxBErr |
| 23 | 22 | 21 | 20 | 19 | 18 | 17 | 16 |
| TDU | LC | TXABT | NCS | EXDEF | TXCP | TXEMP | TXINTR |
| 15 | 14 | 13 | 12 | 11 | 10 | 9 | 8 |
| Reserved | CFR | NATerr | NATOK | RxBErr | RDU | DENI | DFOI |
| 7 | 6 | 5 | 4 | 3 | 2 | 1 | 0 |
| MMP | RP | ALIE | RXGD | PTLE | RXOV | CRCE | RXINTR |

TxBErr [24]: Transmit Bus Error interrupt

Default value: 0

This field will be set if access error from EMC to memory (for example, address undefined in system) is occurred. If the status and **EnTxBErr** in **MIEN** are both set, the EMC_TxINT will be triggered. If the status is set, the Tx operation will be ceased and the software reset to reset the EMC is recommended.



TDU [23]: Transmit Descriptor Unavailable interrupt

Default value: 0

This field will be set if the transmit descriptors owned to the TxDMA is unavailable. If the status and **EnTDU** in **MIEN** are both set, the EMC_TxINT will be triggered. When it is set, the TxDMA operation will be ceased till the user issues a write command to Transmit Start Demand register to restart the Tx operation.

LC [22]: Late Collision

Default value: 0

This bit will be set if a collision occurs after 512 bit times.

TXABT [21]: Transmit Abort

Default value: 0

The bit is set to indicate 16 collisions occur while transmitting the same packet.

NCS [20]: No Carrier Sense

Default value: 0

Set to indicate no carrier sense is presented during transmission.

EXDEF [19]: Defer

Default value: 0

This bit is set to indicate that defer time exceeding 0.32768ms operated at 100Mbps/s and 3.2768ms operated at 10Mbps/s. When the **EnEXDEF** in **MIEN** is set, the internal 15-bit counter will automatically count the deferred bit time and generate interrupt when the counter overflows.

TXCP [18]: Transmit Completion

Default value: 0

This bit is set when the MAC transmits, or discards one packet.

TXEMP [17]: Transmit FIFO Empty

Default value: 0

Set when MAC transmitting FIFO becomes empty (underflow) during a packet transmission.

TXINTR [16]: Interrupt on Transmit

Default value: 0

This bit is set if transmission of a packet caused an interrupt condition.

CFR [14]: Control Frame Receive

Default value: 0

This field will be set if the incoming frame is a MAC control frame (type==8808h).



NATErr [13]: NAT Processing Error

Default value: 0

This field will be set if there is any error during NATA do the NAT processing. If the status and EnNATErr in MIEN are both set, the EMC_RxINT will be triggered.

NATOK [12]: NAT Processing OK

Default value: 0

This field will be set if there is no error during NATA do the NAT processing. If the status and EnNATOK in MIEN are both set, the EMC_RxINT will be triggered.

RxBErr [11]: Receive Bus Error interrupt

Default value: 0

This field will be set if the access error from EMC to memory (for example, address undefined in system) is occurred. If the status and **EnBErr** in **MIEN** are both set, the EMC_RxINT will be triggered. If the status is set, the Rx operation will be ceased and software reset to reset the EMC is recommended.

RDU [10]: Receive Descriptor Unavailable interrupt

Default value: 0

This field will be set if the receive descriptors owned to the RxDMA is unavailable. If the status and **ENRDU** in **MIEN** are both set, the EMC_RxINT will be triggered. When the status is set, the RxDMA operation will be ceased till the user issues a write command to Receive Start Demand register to restart Rx operation.

DENI [9]: DMA early notification interrupt

Default value: 0

If **EnDEN** is reset, an interrupt will be generated when the length field of the current frame is received.

DFOI [8]: DMA receive frame over maximum size interrupt

Default value: 0

If **ENDFO** is set, an interrupt will be generated when the received frame size is larger than the value stored in **RXMS**.

MMP [7]: More Missed Packets than miss rolling over counter flag

Default value: 0

This bit is automatically set when the missed error counter rolls over.

RP [6]: Runt Packet

Default value: 0

This bits is set, it indicates that the received packet length is less than 64 bytes (unless ARP in MCMDR is set).



ALIE [5]: Alignment Error

Default value: 0

This bit is set if the frame length in bits was not a multiple of eight.

RXGD [4]: Receive Good

Default value: 0

This bit is set if a packet was successfully received with no errors.

PTLE [3]: Packet Too Long Error

Default value: 0

This bit is set if the MAC received a frame longer than 1518 bytes (unless ALP in MCMDR is set).

RXOV [2]: Receive FIFO Overflow error

Default value: 0

This bit is set if the MAC receives FIFO was overflow when receiving a frame.

CRCE [1]: CRC Error

Default value: 0

This bit is set if the CRC at the end of a packet is not correct, or else the PHY asserted Rx_er during packet reception.

RXINTR [0]: Interrupt on Receive

Default value: 0

This bit is set if the reception of a packet caused an interrupt to be generated. This includes a good received interrupt, if the EnRXGD bit in MIEN is set.

MAC General Status Register (MGSTA_0, MGSTA_1)

| REGISTER | ADDRESS | R/W | DESCRIPTION | RESET VALUE |
|----------|-------------|-----|-----------------------------|-------------|
| MGSTA_0 | 0xFFF0.30B8 | R/W | MAC General Status Register | 0x0000.0000 |
| MGSTA_1 | 0xFFF0.38B8 | R/W | MAC General Status Register | 0x0000.0000 |

| | | | | | | | |
|----------|----|----|----|----------|-----|------|-----|
| 31 | 30 | 29 | 28 | 27 | 26 | 25 | 24 |
| Reserved | | | | | | | |
| 23 | 22 | 21 | 20 | 19 | 18 | 17 | 16 |
| Reserved | | | | | | | |
| 15 | 14 | 13 | 12 | 11 | 10 | 9 | 8 |
| Reserved | | | | TXHA | SQE | PAU | DEF |
| 7 | 6 | 5 | 4 | 3 | 2 | 1 | 0 |
| CCNT | | | | Reserved | | RXHA | CFR |



All the MGSTA bits are write ones clear.

TXHA [11]: Transmission Halted

Default value: 0

Set to indicate that the transmission is halt by clearing the TXON bit.

SQE [10]: Signal Quality Error

Default value: 0

Set to indicate a SQE.

PAU [9]: Pause Bit

Default value: 0

Set when transmission was delayed due to a remote Pause command.

DEF [8]: Deferred transmission

Default value: 0

This bit is set to indicate the network is busy.

CCNT [7:4]: Collision Count

Default value: 0

Four bits counter to indicate the number of collisions occurred before the frame is transmitted.

RXHA [1]: Reception Halted

Default value: 0

This bit is set if reception is halted by clearing RXON bit in the MAC Command Register (MCMDR).

CFR [0]: Control Frame Received

Default value: 0

This bit is set if (1) the packet received is a MAC control frame (type = 8808H), (2) if the CAM recognizes the packet address, and (3) if the frame length is 64 bytes.

MAC Received Pause Count Register (MRPC_0, MRPC_1)

The received pause count register, **MRPC**, stores the value of the 16-bit received pause counter. It is read only.

| REGISTER | ADDRESS | R/W | DESCRIPTION | RESET VALUE |
|----------|-------------|-----|----------------------------------|-------------|
| MRPC_0 | 0xFFF0.30BC | R | MAC Receive Pause count register | 0x0000.0000 |
| MRPC_1 | 0xFFF0.38BC | R | MAC Receive Pause count register | 0x0000.0000 |

W90N740CD/W90N740CDG



| | | | | | | | |
|----------|----|----|----|----|----|----|----|
| 31 | 30 | 29 | 28 | 27 | 26 | 25 | 24 |
| Reserved | | | | | | | |
| 23 | 22 | 21 | 20 | 19 | 18 | 17 | 16 |
| Reserved | | | | | | | |
| 15 | 14 | 13 | 12 | 11 | 10 | 9 | 8 |
| MRPC | | | | | | | |
| 7 | 6 | 5 | 4 | 3 | 2 | 1 | 0 |
| MRPC | | | | | | | |

MRPC [15:0]: MAC Received Pause Count Register

Default value: 0

The count value indicates the number of time slots the transmitter was paused due to the receipt of control pause operation packets from the MAC.

MAC Received Pause Current Count Register (MRPCC_0, MRPCC_1)

The received pause current count register, **MRPCC**, stores the current value of the 16-bit received pause counter. It is read only.

| REGISTER | ADDRESS | R/W | DESCRIPTION | RESET VALUE |
|----------|--------------|-----|--|-------------|
| MRPCC_0 | 0xFFFF0.30C0 | R | MAC Receive Pause Current Count register | 0x0000.0000 |
| MRPCC_1 | 0xFFFF0.38C0 | R | MAC Receive Pause Current Count register | 0x0000.0000 |

| | | | | | | | |
|----------|----|----|----|----|----|----|----|
| 31 | 30 | 29 | 28 | 27 | 26 | 25 | 24 |
| Reserved | | | | | | | |
| 23 | 22 | 21 | 20 | 19 | 18 | 17 | 16 |
| Reserved | | | | | | | |
| 15 | 14 | 13 | 12 | 11 | 10 | 9 | 8 |
| MRPC | | | | | | | |
| 7 | 6 | 5 | 4 | 3 | 2 | 1 | 0 |
| MRPC | | | | | | | |

MRPC [15:0]: MAC Received Pause Count Register

Default value: 0

The count value indicates the number of time slots the transmitter was paused due to the receipt of control pause operation packets from the MAC.

W90N740CD/W90N740CDG



MAC Remote Pause Count Register (MREPC_0, MREPC_1)

The remote pause count register, MREPC, stores the current value of the remote pause counter. It is read only.

| REGISTER | ADDRESS | R/W | DESCRIPTION | RESET VALUE |
|----------|-------------|-----|---------------------------------|-------------|
| MREPC_0 | 0xFFF0.30C4 | R | MAC Remote pause count register | 0x0000.0000 |
| MREPC_1 | 0xFFF0.38C4 | R | MAC Remote pause count register | 0x0000.0000 |

| | | | | | | | |
|----------|----|----|----|----|----|----|----|
| 31 | 30 | 29 | 28 | 27 | 26 | 25 | 24 |
| Reserved | | | | | | | |
| 23 | 22 | 21 | 20 | 19 | 18 | 17 | 16 |
| Reserved | | | | | | | |
| 15 | 14 | 13 | 12 | 11 | 10 | 9 | 8 |
| MREPC | | | | | | | |
| 7 | 6 | 5 | 4 | 3 | 2 | 1 | 0 |
| MREPC | | | | | | | |

MREPC [15:0]: MAC Remote Pause Count Register

Default value: 0

The count value indicates the number of time slots that a remote MAC was paused as a result of its sending control pause operation packets.

DMA Receive Frame Status Register (DMARFS_0, DMARFS_1)

| REGISTER | ADDRESS | R/W | DESCRIPTION | RESET VALUE |
|----------|-------------|-----|-----------------------------------|-------------|
| DMARFS_0 | 0xFFF0.30C8 | R/W | DMA Receive Frame Status Register | 0x0000.0000 |
| DMARFS_1 | 0xFFF0.38C8 | R/W | DMA Receive Frame Status Register | 0x0000.0000 |

| | | | | | | | |
|----------|----|----|----|----|----|----|----|
| 31 | 30 | 29 | 28 | 27 | 26 | 25 | 24 |
| Reserved | | | | | | | |
| 23 | 22 | 21 | 20 | 19 | 18 | 17 | 16 |
| Reserved | | | | | | | |
| 15 | 14 | 13 | 12 | 11 | 10 | 9 | 8 |
| RXFS | | | | | | | |
| 7 | 6 | 5 | 4 | 3 | 2 | 1 | 0 |
| RXFS | | | | | | | |



RXFS [15:0]: DMA receive frame length

Default value: 0000h

When an early notification interrupt occurs, the frame length/type field contains the size of the frame that is currently being received, and stores in **RXFS**.

To save space in the frame memory buffer, users can determine the current frame length by :

1. Enable the early notification interrupt (set **EnDEN** bit in **MIEN**)
2. Read the **RXFS** field when the interrupt occurs

Note: all the **DMARFS** bits are cleared by write ones; writing zeros has no effect.

Current Transmit Descriptor Start Address Register (CTXDSA_0, CTXDSA_1)

| REGISTER | ADDRESS | R/W | DESCRIPTION | RESET VALUE |
|----------|-------------|-----|--|-------------|
| CTXDSA_0 | 0xFFF0.30CC | R | Current Transmit Descriptor Start Address Register | 0x0000.0000 |
| CTXDSA_1 | 0xFFF0.38CC | R | Current Transmit Descriptor Start Address Register | 0x0000.0000 |

| | | | | | | | |
|--------|----|----|----|----|----|----|----|
| 31 | 30 | 29 | 28 | 27 | 26 | 25 | 24 |
| CTXDSA | | | | | | | |
| 23 | 22 | 21 | 20 | 19 | 18 | 17 | 16 |
| CTXDSA | | | | | | | |
| 15 | 14 | 13 | 12 | 11 | 10 | 9 | 8 |
| CTXDSA | | | | | | | |
| 7 | 6 | 5 | 4 | 3 | 2 | 1 | 0 |
| CTXDSA | | | | | | | |

CTXDSA [31:0]: Current Transmit Descriptor Start Address

Default value: 0000h

This register reports the start address of the current transmit descriptor used by EMC.

W90N740CD/W90N740CDG



Current Transmit Buffer Start Address Register (CTXBSA_0, CTXBSA_1)

| REGISTER | ADDRESS | R/W | DESCRIPTION | RESET VALUE |
|----------|-------------|-----|--|-------------|
| CTXBSA_0 | 0xFFF0.30D0 | R | Current Transmit Buffer Start Address Register | 0x0000.0000 |
| CTXBSA_1 | 0xFFF0.38D0 | R | Current Transmit Buffer Start Address Register | 0x0000.0000 |

| | | | | | | | |
|--------|----|----|----|----|----|----|----|
| 31 | 30 | 29 | 28 | 27 | 26 | 25 | 24 |
| CTXBSA | | | | | | | |
| 23 | 22 | 21 | 20 | 19 | 18 | 17 | 16 |
| CTXBSA | | | | | | | |
| 15 | 14 | 13 | 12 | 11 | 10 | 9 | 8 |
| CTXBSA | | | | | | | |
| 7 | 6 | 5 | 4 | 3 | 2 | 1 | 0 |
| CTXBSA | | | | | | | |

CTXBSA [31:0]: Current Transmit Buffer Start Address

Default value: 0000h

This register reports the start address of the current transmit buffer used by EMC.

Current Receive Descriptor Start Address Register (CRXD_SA_0, CRXD_SA_1)

| REGISTER | ADDRESS | R/W | DESCRIPTION | RESET VALUE |
|-----------|-------------|-----|---|-------------|
| CRXD_SA_0 | 0xFFF0.30D4 | R | Current Receive Descriptor Start Address Register | 0x0000.0000 |
| CRXD_SA_1 | 0xFFF0.38D4 | R | Current Receive Descriptor Start Address Register | 0x0000.0000 |

| | | | | | | | |
|---------|----|----|----|----|----|----|----|
| 31 | 30 | 29 | 28 | 27 | 26 | 25 | 24 |
| CRXD_SA | | | | | | | |
| 23 | 22 | 21 | 20 | 19 | 18 | 17 | 16 |
| CRXD_SA | | | | | | | |
| 15 | 14 | 13 | 12 | 11 | 10 | 9 | 8 |
| CRXD_SA | | | | | | | |
| 7 | 6 | 5 | 4 | 3 | 2 | 1 | 0 |
| CRXD_SA | | | | | | | |

CRXD_SA [31:0]: Current Receive Descriptor Start Address

Default value: 0000h

This register reports the start address of the current receive descriptor used by EMC.



Current Receive Buffer Start Address Register (CRXBSA_0, CRXBSA_1)

| Register | Address | R/W | Description | Reset Value |
|----------|-------------|-----|---|-------------|
| CRXBSA_0 | 0xFFF0.30D8 | R | Current Receive Buffer Start Address Register | 0x0000.0000 |
| CRXBSA_1 | 0xFFF0.38D8 | R | Current Receive Buffer Start Address Register | 0x0000.0000 |

| | | | | | | | |
|--------|----|----|----|----|----|----|----|
| 31 | 30 | 29 | 28 | 27 | 26 | 25 | 24 |
| CRXBSA | | | | | | | |
| 23 | 22 | 21 | 20 | 19 | 18 | 17 | 16 |
| CRXBSA | | | | | | | |
| 15 | 14 | 13 | 12 | 11 | 10 | 9 | 8 |
| CRXBSA | | | | | | | |
| 7 | 6 | 5 | 4 | 3 | 2 | 1 | 0 |
| CRXBSA | | | | | | | |

CRXBSA [31:0]: Current Receive Buffer Start Address

Default value: 0000h

This register reports the start address of the current receive buffer used by EMC.

7.6 Network Address Translation Accelerator (NATA)

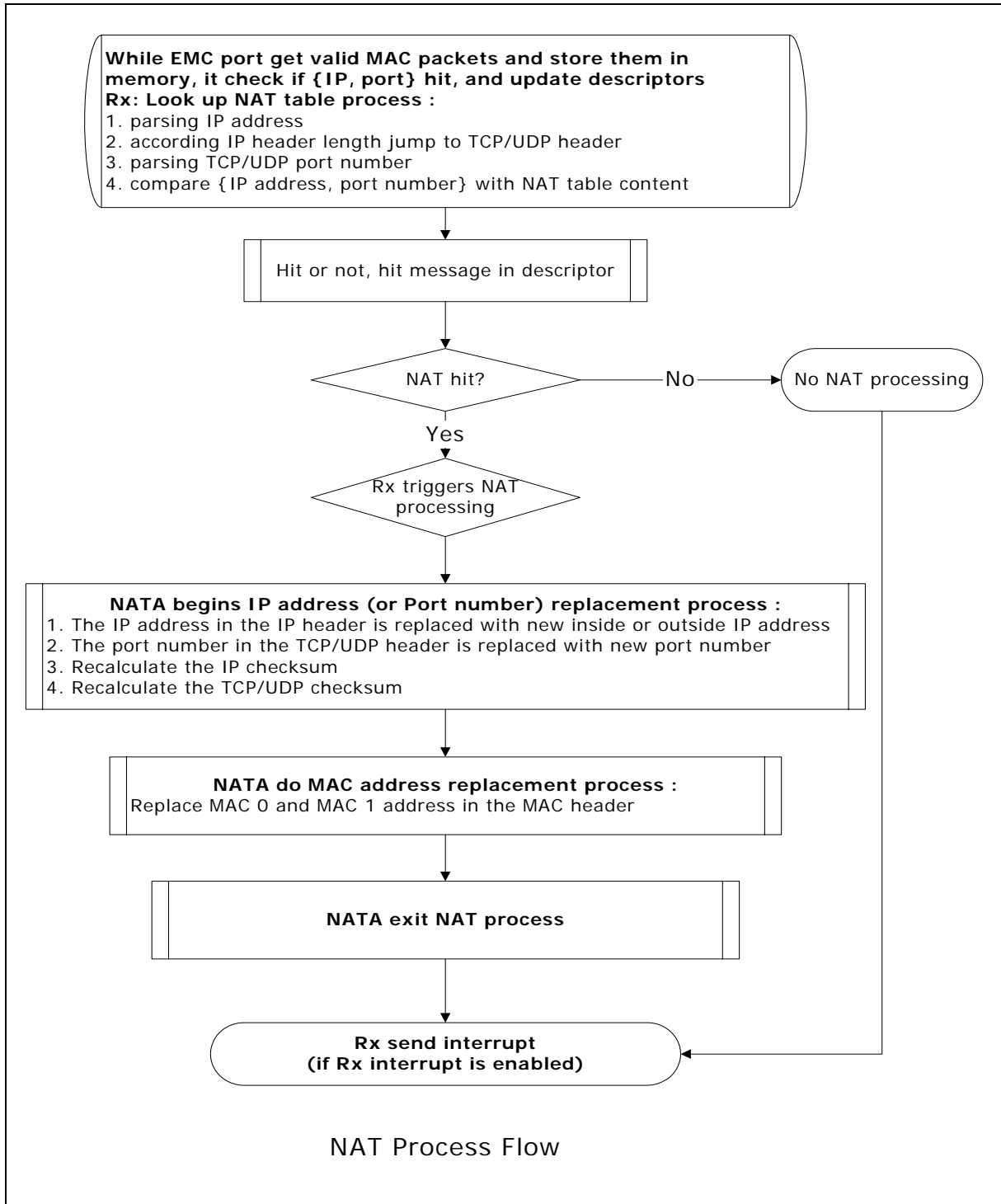
The Network Address Translation Accelerator (NATA) provides hardware acceleration function to enhance the IP address and port number translation. An inside (local/LAN) IP address is mapped to an outside (global/WAN) IP address, meaning that an inside IP address is replaced by the appropriate outside IP address, and vice versa. When the network is connected and SW Users can use NATA on W90N740 to speed up fixed (static) address translation and reduce software loading on processing layer-3 IP replacement. The NATA has 64 entries for users to initial replacement IP content and cooperate the 2 EMC ports to do NAT.

The Features of the NATA :

- Hardware acceleration on IP address / port number look up and replacement for network address
- Translation, including MAC address translation
- Provide 64 entries of translation table
- Support TCP / UDP packets



7.6.1 NAT Process Flow





7.6.2 NATA Registers Map

This set of registers is used to convey status/control information to/from the NAT engine. These registers are used for loading commands generated by user, indicating network translation status, and providing interrupt control.

The registers used by W90N740 NATA controller are divided into two groups:

- **NATA Control and Status Registers**
- **Address Look Up and Replacement Entry Registers**

| REGISTER | OFFSET | R/W | DESCRIPTION | RESET VALUE |
|--|-------------|-----|--|-------------|
| NATA Control and Status Registers | | | | |
| NATCMD | 0xFFF0.6000 | R/W | NAT Command Register | 0x0000.0000 |
| NATCCLR0 | 0xFFF0.6010 | W | NAT Counter 0 Clear Register | 0x0000.0000 |
| NATCCLR1 | 0xFFF0.6014 | W | NAT Counter 1 Clear Register | 0x0000.0000 |
| NATCCLR2 | 0xFFF0.6018 | W | NAT Counter 2 Clear Register | 0x0000.0000 |
| NATCCLR3 | 0xFFF0.601C | W | NAT Counter 3 Clear Register | 0x0000.0000 |
| NATCFG0 | 0xFFF0.6100 | R/W | NAT Entry 0 Configuration Register | 0x0000.0000 |
| NATCFG1 | 0xFFF0.6104 | R/W | NAT Entry 1 Configuration Register | 0x0000.0000 |
| . | . | . | . | . |
| . | . | . | . | . |
| . | . | . | . | . |
| . | . | . | . | . |
| . | . | . | . | . |
| . | . | . | . | . |
| NATCFG63 | 0xFFF0.61FC | R/W | NAT Entry 63 Configuration Register | 0x0000.0000 |
| EXMACM | 0xFFF0.6200 | R/W | External MAC Address Most Significant Word Register | 0x0000.0000 |
| EXMACL | 0xFFF0.6204 | R/W | External MAC Address Least Significant Word Register | 0x0000.0000 |
| INMACM | 0xFFF0.6208 | R/W | Internal MAC Address Most Significant Word Register | 0x0000.0000 |
| INMACL | 0xFFF0.620C | R/W | Internal MAC Address Least Significant Word Register | 0x0000.0000 |

W90N740CD/W90N740CDG



| REGISTER | OFFSET | R/W | DESCRIPTION | RESET VALUE |
|---|-------------|-----|---|-------------|
| Address Lookup and Replacement Registers | | | | |
| MASAD0 | 0xFFF0.6800 | R/W | NAT Masquerading IP Address Entry 0 | 0x0000.0000 |
| MASPN0 | 0xFFF0.6804 | R/W | NAT Masquerading Port Number Entry 0 | 0x0000.0000 |
| LSAD0 | 0xFFF0.6808 | R/W | Local Station IP Address Entry 0 | 0x0000.0000 |
| LSPN0 | 0xFFF0.680C | R/W | Local Station Port Number Entry 0 | 0x0000.0000 |
| LSMAC0M | 0xFFF0.6810 | R/W | Local Station MAC Address Most Significant Word Register for Entry 0 | 0x0000.0000 |
| LSMAC0L | 0xFFF0.6814 | R/W | Local Station MAC Address Least Significant Word Register for Entry 0 | 0x0000.0000 |
| RSMAC0M | 0xFFF0.6818 | R/W | Remote Station MAC Address Most Significant Word Register for Entry 0 | 0x0000.0000 |
| RSMAC0L | 0xFFF0.681C | R/W | Remote Station MAC Address Least Significant Word Register for Entry 0 | 0x0000.0000 |
| MASAD1 | 0xFFF0.6820 | R/W | NAT Masquerading IP Address Entry 1 | 0x0000.0000 |
| MASPN1 | 0xFFF0.6824 | R/W | NAT Masquerading Port Number Entry 1 | 0x0000.0000 |
| LSAD1 | 0xFFF0.6828 | R/W | Local Station IP Address Entry 1 | 0x0000.0000 |
| LSPN1 | 0xFFF0.682C | R/W | Local Station Port Number Entry 1 | 0x0000.0000 |
| LSMAC1M | 0xFFF0.6830 | R/W | Local Station MAC Address Most Significant Word Register for Entry 1 | 0x0000.0000 |
| LSMAC1L | 0xFFF0.6834 | R/W | Local Station MAC Address Least Significant Word Register for Entry 1 | 0x0000.0000 |
| RSMAC1M | 0xFFF0.6838 | R/W | Remote Station MAC Address Most Significant Word Register for Entry 1 | 0x0000.0000 |
| RSMAC1L | 0xFFF0.683C | R/W | Remote Station MAC Address Least Significant Word Register for Entry 1 | 0x0000.0000 |
| . | . | . | . | . |
| . | . | . | . | . |
| . | . | . | . | . |
| . | . | . | . | . |
| MASAD63 | 0xFFF0.6FE0 | R/W | NAT Masquerading IP Address Entry 63 | 0x0000.0000 |
| MASPN63 | 0xFFF0.6FE4 | R/W | NAT Masquerading Port Number Entry 63 | 0x0000.0000 |
| LSAD63 | 0xFFF0.6FE8 | R/W | Local Station IP Address Entry 63 | 0x0000.0000 |
| LSPN63 | 0xFFF0.6FEC | R/W | Local Station Port Number Entry 63 | 0x0000.0000 |
| LSMAC63M | 0xFFF0.6FF0 | R/W | Local Station MAC Address Most Significant Word Register for Entry 63 | 0x0000.0000 |
| LSMAC63L | 0xFFF0.6FF4 | R/W | Local Station MAC Address Least Significant Word Register for Entry 63 | 0x0000.0000 |
| RSMAC63M | 0xFFF0.6FF8 | R/W | Remote Station MAC Address Most Significant Word Register for Entry 63 | 0x0000.0000 |
| RSMAC63L | 0xFFF0.6FFC | R/W | Remote Station MAC Address Least Significant Word Register for Entry 63 | 0x0000.0000 |

W90N740CD/W90N740CDG



NAT Command Register (NATCMD)

The NAT function is enabled by software setting NATEN, and auto triggered by EMC Rx if current packet is hit. S/W will get hit status from Rx descriptors when current packet is receiving, and processed by NATA, if it is hit. Writing ones in NATCMD can start NAT function, or clear entry counters.

| REGISTER | ADDRESS | R/W | DESCRIPTION | RESET VALUE |
|----------|------------|-----|----------------------|-------------|
| NATCMD | 0x7FF06000 | R/W | NAT Command Register | 0x0000.0000 |

| | | | | | | | |
|----------|----|----|----|----|----|----|-------|
| 31 | 30 | 29 | 28 | 27 | 26 | 25 | 24 |
| Reserved | | | | | | | |
| 23 | 22 | 21 | 20 | 19 | 18 | 17 | 16 |
| Reserved | | | | | | | |
| 15 | 14 | 13 | 12 | 11 | 10 | 9 | 8 |
| Reserved | | | | | | | |
| 7 | 6 | 5 | 4 | 3 | 2 | 1 | 0 |
| Reserved | | | | | | | NATEN |

NATEN [0]: NAT enable bit

Default value: 0

Set this bit to start NAT function. The EMC Rx will begin packet parsing and lookup procedure if this bit is set. Clear this bit will stop all NAT operations.

NAT Counter x Clear Register (NATCCLR_x)(x: 3 ~ 0)

| REGISTER | ADDRESS | R/W | DESCRIPTION | RESET VALUE |
|----------|------------|-----|------------------------------|-------------|
| NATCCLR0 | 0x7FF06010 | W | NAT Counter 0 Clear Register | 0x0000.0000 |
| NATCCLR3 | 0x7FF0601C | | NAT Counter 3 Clear Register | 0x0000.0000 |

W90N740CD/W90N740CDG



7.6.2.1. NATCCLR0

| | | | | | | | |
|----------|----------|----------|----------|----------|----------|---------|---------|
| 31 | 30 | 29 | 28 | 27 | 26 | 25 | 24 |
| CLREH15 | CLREH14 | CLREH13 | CLREH12 | CLREH11 | CLREH10 | CLREH 9 | CLREH 8 |
| 23 | 22 | 21 | 20 | 19 | 18 | 17 | 16 |
| CLREH 7 | CLREH 6 | CLREH 5 | CLREH 4 | CLREH 3 | CLREH 2 | CLREH 1 | CLREH 0 |
| 15 | 14 | 13 | 12 | 11 | 10 | 9 | 8 |
| CLRCNT15 | CLRCNT14 | CLRCNT13 | CLRCNT12 | CLRCNT11 | CLRCNT10 | CLRCNT9 | CLRCNT8 |
| 7 | 6 | 5 | 4 | 3 | 2 | 1 | 0 |
| CLRCNT7 | CLRCNT6 | CLRCNT5 | CLRCNT4 | CLRCNT3 | CLRCNT2 | CLRCNT1 | CLRCNT0 |

7.6.2.2. NATCCLR1

| | | | | | | | |
|----------|----------|----------|----------|----------|----------|----------|----------|
| 31 | 30 | 29 | 28 | 27 | 26 | 25 | 24 |
| CLREH31 | CLREH30 | CLREH29 | CLREH28 | CLREH27 | CLREH26 | CLREH25 | CLREH24 |
| 23 | 22 | 21 | 20 | 19 | 18 | 17 | 16 |
| CLREH23 | CLREH22 | CLREH21 | CLREH20 | CLREH19 | CLREH18 | CLREH17 | CLREH16 |
| 15 | 14 | 13 | 12 | 11 | 10 | 9 | 8 |
| CLRCNT31 | CLRCNT30 | CLRCNT29 | CLRCNT28 | CLRCNT27 | CLRCNT26 | CLRCNT25 | CLRCNT24 |
| 7 | 6 | 5 | 4 | 3 | 2 | 1 | 0 |
| CLRCNT23 | CLRCNT22 | CLRCNT21 | CLRCNT20 | CLRCNT19 | CLRCNT18 | CLRCNT17 | CLRCNT16 |

7.6.2.3. NATCCLR2

| | | | | | | | |
|----------|----------|----------|----------|----------|----------|----------|----------|
| 31 | 30 | 29 | 28 | 27 | 26 | 25 | 24 |
| CLREH47 | CLREH46 | CLREH45 | CLREH44 | CLREH43 | CLREH42 | CLREH41 | CLREH40 |
| 23 | 22 | 21 | 20 | 19 | 18 | 17 | 16 |
| CLREH39 | CLREH38 | CLREH37 | CLREH36 | CLREH35 | CLREH34 | CLREH33 | CLREH32 |
| 15 | 14 | 13 | 12 | 11 | 10 | 9 | 8 |
| CLRCNT47 | CLRCNT46 | CLRCNT45 | CLRCNT44 | CLRCNT43 | CLRCNT42 | CLRCNT41 | CLRCNT40 |
| 7 | 6 | 5 | 4 | 3 | 2 | 1 | 0 |
| CLRCNT39 | CLRCNT38 | CLRCNT37 | CLRCNT36 | CLRCNT35 | CLRCNT34 | CLRCNT33 | CLRCNT32 |



7.6.2.4. NATCCLR3

| | | | | | | | |
|----------|----------|----------|----------|----------|----------|----------|----------|
| 31 | 30 | 29 | 28 | 27 | 26 | 25 | 24 |
| CLREH63 | CLREH62 | CLREH61 | CLREH60 | CLREH59 | CLREH58 | CLREH57 | CLREH56 |
| 23 | 22 | 21 | 20 | 19 | 18 | 17 | 16 |
| CLREH55 | CLREH54 | CLREH53 | CLREH52 | CLREH51 | CLREH50 | CLREH49 | CLREH48 |
| 15 | 14 | 13 | 12 | 11 | 10 | 9 | 8 |
| CLRCNT63 | CLRCNT62 | CLRCNT61 | CLRCNT60 | CLRCNT59 | CLRCNT58 | CLRCNT57 | CLRCNT56 |
| 7 | 6 | 5 | 4 | 3 | 2 | 1 | 0 |
| CLRCNT55 | CLRCNT54 | CLRCNT53 | CLRCNT52 | CLRCNT51 | CLRCNT50 | CLRCNT49 | CLRCNT48 |

CLREHx (x: 63 ~ 0) [31:16]: Entry x hit counter clear bit

Default value: 0

Set the appropriate bit to clear the corresponding entry x hit counter (EHCNTx); writing zero to the bit has no effect. About the usage of EHCNTx, please see details in NATCFGx.

CLRCNTx (x: 63 ~ 0) [15:0]: NATA Entry x counter clear bit

Default value: 0

Set the appropriate bit to clear the corresponding entry counter (CNTx); writing zero to the bit has no effect. About the usage of CNTx, please see details in NATCFGx.

NAT Entry x Configuration Registers (NATCFGx)(x: 63 ~ 0)

All NAT Configuration registers, NATCFGx, include enable switches to control IP address and port number comparison, or replacement. Further, additional inverse (I) bit to control source address (SA) or destination address (DA) comparison. The NAT function is enabled if either of entry enable bits is set, else the NAT function is disabled.

For some special applications, the user can reset the port comparison enable bits to ignore port comparison and do only IP address comparison.

The entry count field, CNTx, is read by S/W to determine when to change either entry data without miss hit packet processing. If S/W program wants to change some entry data, S/W program has to disable the selected entry and monitor corresponding CNTx till the value is 0, then it is acceptable to change new entry data. Otherwise there may be an error condition occurred, for example, when S/W program has changed entry data, but the previous hit packet is being processed, and cannot find replacement data.

| REGISTER | ADDRESS | R/W | DESCRIPTION | RESET VALUE |
|----------|------------|-----|-------------------------------------|-------------|
| NATCFG0 | 0x7FF06100 | R/W | NAT Entry 0 Configuration Register | 0x0000.0000 |
| | | | | |
| NATCFG63 | 0x7FF061FC | R/W | NAT Entry 63 Configuration Register | 0x0000.0000 |



| | | | | | | | |
|----------|---------|---------|------|------|------|------|------|
| 31 | 30 | 29 | 28 | 27 | 26 | 25 | 24 |
| EHCNTx | | | | | | | |
| 23 | 22 | 21 | 20 | 19 | 18 | 17 | 16 |
| EHCNTx | | | | | | | |
| 15 | 14 | 13 | 12 | 11 | 10 | 9 | 8 |
| Reserved | | | | CNTx | | | |
| 7 | 6 | 5 | 4 | 3 | 2 | 1 | 0 |
| Nop | Discard | Inverse | PxRE | AxRE | PxCE | AxCE | ExEN |

7.6.2.5. EHCNTx [31:16]: Counter of Packets Hit with Entry x

Default value: 0

The register is read-only, to indicate that how many packets are hit with entry x. When a new packet is hit with entry x, the corresponding EHCNTx, will increase. The value can be reset to zero by writing one to corresponding CLREHx in NATCCLR register.

7.6.2.6. CNTx [10:8]: Number of Entry x Hit Packets to be processed

Default value: 0x0

The register is read-only, to indicate that how many packet is hit with entry x and still not processed by NAT. When a new packet is hit with entry x, the corresponding entry counter, CNTx, will increase. On the other hand, when a packet hit with entry x is process, the corresponding CNTx will be decrease.

Nop [7]: Packet Nop bit

Default value: 0

Set this bit to receive current hit packet as usual. The Rx descriptor will be updated for this packet and set the Nop bit in descriptor. This bit will be valid while Discard[6]=0.

Discard [6]: Packet Discard bit

Default value: 0

Set this bit to automatically discard current hit packet. The Rx descriptor will not be updated for this packet. It is applicable for IP filter.

Inverse [5]: Inverse Comparison and Replacement bit

Default value: 0

Set this bit to change comparison and replacement field in packets. For example, at the WAN port, destination address and port {DA, DP} is compared for inverse bit (I bit) clear. If I bit is set, source address and port {SA, SP} is compared instead of {DA, DP}. It is applicable for IP filter.

PxRE [4]: Port Number Replacement Enable at Entry x

Default value: 0



Set the bits to selectively enable port number replacement at the entry location. This bit is valid when ExEN is set.

AxRE [3]: IP Address Replacement Enable at Entry x

Default value: 0

Set the bits to selectively enable IP address replacement at the entry location. This bit is valid when ExEN is set.

PxCE [2]: Port Number Comparison Enable at Entry x

Default value: 0

Set the bits to selectively enable port number comparison at the entry location. This bit is valid when ExEN is set.

AxCE [1]: IP Address Comparison Enable at Entry x

Default value: 0

Set the bits to selectively enable IP address comparison at the entry location. This bit is valid when ExEN is set.

ExEN [0]: Entry x Comparison Enable bit

Default value: 0

Set the bits to selectively enable entry location comparison. To disable an entry location, clear the appropriate bit. If S/W wants to change some entry data, it has to disable the selected entry and monitor corresponding CNTx till the value is 0, then it is acceptable to change new entry data.

NAT Entry Configuration Register (NATCFGx) Application Note:

MA: masquerading IP address

MP: masquerading port number

LA: local mapping IP address

LP: local mapping port number

SA: (IP) address at source field

SP: port number at source field

DA: (IP) address at destination field

DP: port number at destination field

Data Content in the NATA table

| | Field 0 | Field 1 | Field 2 | Field 3 |
|----------|---------|---------|---------|---------|
| Entry 0 | MA 0 | MP 0 | LA 0 | LP 0 |
| Entry 1 | MA 0 | MP 0 | LA 0 | LP 0 |
| | | | | |
| Entry 15 | MA 15 | MP 15 | LA 15 | LP 15 |



NATA comparison and replacement table at different port

| | INVERSE BIT IS RESET | | INVERSE BIT IS SET | |
|---|------------------------------------|------------------------------------|------------------------------------|------------------------------------|
| | COMPARISON | REPLACEMENT | COMPARISON | REPLACEMENT |
| WAN port (for receiving external packets) | DA with <i>MA</i> (if AxCE set) | DA with <i>LA</i> (if AxRE set) | SA with <i>MA</i> (if AxCE set) | SA with <i>LA</i> (if AxRE set) |
| | DP with <i>MP</i> (if PxCE set) | DP with <i>LP</i> (if PxRE set) | SP with <i>MP</i> (if PxCE set) | SP with <i>LP</i> (if PxRE set) |
| LAN port (for receiving local station packets) | SA with <i>LA</i> (if AxCE set) | SA with <i>MA</i> (if AxRE set) | DA with <i>LA</i> (if AxCE set) | DA with <i>MA</i> (if AxRE set) |
| | SP with <i>LP</i> (if PxCE set) | SP with <i>MP</i> (if PxRE set) | DP with <i>LP</i> (if PxCE set) | DP with <i>MP</i> (if PxRE set) |

7.6.2.7. Possible Settings for Different Applications, only for reference

| | AxCE | PxCE | AxRE | PxRE | I bit | Description |
|-----------------------------|------|------|------|------|-------|---|
| NAT with port comparison | 1 | 1 | 1 | 1 | 0 | Comparison IP address and port number |
| NAT without port comparison | 1 | 0 | 1 | 0 | 0 | Comparison IP address |
| IP filter | 1 | 1 | 0 | 0 | 1 | The S/W program can discard the hit packets for filtering |

There are still some restrictions of configuration table above. It cannot be replaced the Address or Port without compare them first.

MAC Address Registers (EXMACM, EXMACL, INMACM, INMACL, LSMACxM, LSMACxL, RSMACxM, RSMACxL)

The MAC address registers are to store the MAC address of each EMC port. When the NATA is enabled and corresponding entry is hit, the MAC address translation from one port to another port must be done by hardware, instead of by software. Thus the user must set the MAC address of each port for NAT to translate.

{EXMACM, EXMACL (INMACM, INMACL)}: MAC address (6 bytes), with 2 bytes in EXMACL (INMACL) and 4 bytes in EXMACM (INMACM)

{LSMACxM, LSMACxL (RSMACxM, RSMACxL)}: MAC address (6 bytes), with 2 bytes in LSMACxL (RSMACxL) and 4 bytes in LSMACxM (RSMACxM)

For example, if the External MAC address is desired to store 12-34-56-78-90-13, then the content of EXMACM is 12-34-56-78, and the content of EXMACL is 90-13-00-00.



7.6.2.8. EXMACM, INMACM, LSMACxM, RSMACxM

| | | | | | | | |
|--|----|----|----|----|----|----|----|
| 31 | 30 | 29 | 28 | 27 | 26 | 25 | 24 |
| Address Byte 6 (Most Significant Byte) | | | | | | | |
| 23 | 22 | 21 | 20 | 19 | 18 | 17 | 16 |
| Address Byte 5 | | | | | | | |
| 15 | 14 | 13 | 12 | 11 | 10 | 9 | 8 |
| Address Byte 4 | | | | | | | |
| 7 | 6 | 5 | 4 | 3 | 2 | 1 | 0 |
| Address Byte 3 | | | | | | | |

EXMACL, INMACL, LSMACxL, RSMACxL

| | | | | | | | |
|----------------------------|----|----|----|----|----|----|----|
| 31 | 30 | 29 | 28 | 27 | 26 | 25 | 24 |
| Destination Address Byte 2 | | | | | | | |
| 23 | 22 | 21 | 20 | 19 | 18 | 17 | 16 |
| Destination Address Byte 1 | | | | | | | |
| 15 | 14 | 13 | 12 | 11 | 10 | 9 | 8 |
| Reserved | | | | | | | |
| 7 | 6 | 5 | 4 | 3 | 2 | 1 | 0 |
| Reserved | | | | | | | |

NAT Masquerading IP Address Registers (MASADx) (x : 15 ~ 0)

NAT Masquerading Port Number Registers (MASPNx) (x : 15 ~ 0)

Local Station IP Address Registers (LSADx) (x : 15 ~ 0)

Local Station Port Number Registers (LSPNx) (x : 15 ~ 0)

The {**MASADx**, **MASPNx**} is represented for the outside IP address and the port number.

The {**LSADx**, **LSPNx**} is represented for the internal IP address and the port number.

A private network is set up with its own public IP address (**MASADx**) and port number (**MASPNx**) for external access. It means that when a local station wants to sent a packet outside via the NAT module, the packet is transmitted to external MAC port with its source address and source port number replaced by **MASADx** and **MASPNx**.

On the other hand, when the external MAC receive packet, its destination address and destination port number is compared. If the result is hit, then its destination address and destination port number are be replaced by **LSADx** and **LSPNx**, and the packet is transmitted to local MAC.

W90N740CD/W90N740CDG



7.6.2.9. MASADx, LSADx

| | | | | | | | |
|---|----|----|----|----|----|----|----|
| 31 | 30 | 29 | 28 | 27 | 26 | 25 | 24 |
| IP Address Byte 4 (Most Significant Byte) | | | | | | | |
| 23 | 22 | 21 | 20 | 19 | 18 | 17 | 16 |
| IP Address Byte 3 | | | | | | | |
| 15 | 14 | 13 | 12 | 11 | 10 | 9 | 8 |
| IP Address Byte 2 | | | | | | | |
| 7 | 6 | 5 | 4 | 3 | 2 | 1 | 0 |
| IP Address Byte 1 | | | | | | | |

MASPNx, LSPNx

| | | | | | | | |
|-------------|----|----|----|----|----|----|----|
| 31 | 30 | 29 | 28 | 27 | 26 | 25 | 24 |
| Reserved | | | | | | | |
| 23 | 22 | 21 | 20 | 19 | 18 | 17 | 16 |
| Reserved | | | | | | | |
| 15 | 14 | 13 | 12 | 11 | 10 | 9 | 8 |
| Port Number | | | | | | | |
| 7 | 6 | 5 | 4 | 3 | 2 | 1 | 0 |
| Port Number | | | | | | | |

For example, if the masquerading address is 140.112.2.100 and the masquerading port number is 7500, then the value in MASAD is 8C-70-02-64, and the value in MASPN is 00-00-1D-4C.



7.7 GDMA Controller

The GDMA Controller of W90N740 is a two-channel general DMA controller. The two-channel GDMA performs the following data transfers without the CPU intervention:

- Memory-to-memory (memory to/from memory)
- Memory –to – IO
- IO- to -memory

The GDMA can be started by the software or external DMA request nXDREQ1/2/3. Software can also be used to restart the GDMA operation after it has been stopped. The CPU can recognize the completion of a GDMA operation by software polling or when it receives an internal GDMA interrupt. The W90N740 GDMA controller can increase source or destination address, decrease them as well, and conduct 8-bit (byte), 16-bit (half-word), or 32-bit (word) data transfers.

The Features of the GDMA :

- 2 Channel GDMA for memory-to-memory data transfers without CPU intervention
- Increase or decrease source / destination address in 8-bit, 16-bit, or 32-bit data transfers
- Supports 4-data burst mode to boost performance
- Support external GDMA request by through bank 3

7.7.1 GDMA Function Description

The GDMA directly transfers data between source and destination. The GDMA starts to transfer data after it receives service requests from nXDREQ1/2/3 signal or software. When the entire data have been transferred completely, the GDMA becomes idle. Nevertheless, if another transfer is needed, then the GDMA must be programmed again.

There are three transfer modes:

- **Single Mode**

Single mode requires a GDMA request for each data transfer. A GDMA request (nXDREQ1/2/3 or software) causes one byte, one half-word, or one word to transfer if the 4-data burst mode is disabled, or four times of transfer width is the 4-data burst mode is enabled.

- **Block Mode**

The assertion of a single GDMA request causes all of the data to be transferred in a single operation. The GDMA transfer is completed when the current transfer count register reaches zero.

- **Demand Mode**

The GDMA continues transferring data until the GDMA request input nXDREQ1/2/3 becomes inactive.



7.7.2 GDMA Registers Map

| REGISTER | ADDRESS | R/W | DESCRIPTION | RESET VALUE |
|-------------|--------------|-----|--|-------------|
| GDMA_CTL0 | 0xFFFF0.4000 | R/W | Channel 0 Control Register | 0x0000.0000 |
| GDMA_SRCB0 | 0xFFFF0.4004 | R/W | Channel 0 Source Base Address Register | 0x0000.0000 |
| GDMA_DSTB0 | 0xFFFF0.4008 | R/W | Channel 0 Destination Base Address Register | 0x0000.0000 |
| GDMA_TCNT0 | 0xFFFF0.400C | R/W | Channel 0 Transfer Count Register | 0x0000.0000 |
| GDMA_CSRC0 | 0xFFFF0.4010 | R | Channel 0 Current Source Address Register | 0x0000.0000 |
| GDMA_CDST0 | 0xFFFF0.4014 | R | Channel 0 Current Destination Address Register | 0x0000.0000 |
| GDMA_CTCNT0 | 0xFFFF0.4018 | R | Channel 0 Current Transfer Count Register | 0x0000.0000 |
| GDMA_CTL1 | 0xFFFF0.4020 | R/W | Channel 1 Control Register | 0x0000.0000 |
| GDMA_SRCB1 | 0xFFFF0.4024 | R/W | Channel 1 Source Base Address Register | 0x0000.0000 |
| GDMA_DSTB1 | 0xFFFF0.4028 | R/W | Channel 1 Destination Base Address Register | 0x0000.0000 |
| GDMA_TCNT1 | 0xFFFF0.402C | R/W | Channel 1 Transfer Count Register | 0x0000.0000 |
| GDMA_CSRC1 | 0xFFFF0.4030 | R | Channel 1 Current Source Address Register | 0x0000.0000 |
| GDMA_CDST1 | 0xFFFF0.4034 | R | Channel 1 Current Destination Address Register | 0x0000.0000 |
| GDMA_CTCNT1 | 0xFFFF0.4038 | R | Channel 1 Current Transfer Count Register | 0x0000.0000 |

R: read only ; W: write only ; R/W: both read and write

Channel 0/1 Control Register (GDMA_CTL0, GDMA_CTL1)

| REGISTER | ADDRESS | R/W | DESCRIPTION | RESET VALUE |
|-----------|--------------|-----|----------------------------|-------------|
| GDMA_CTL0 | 0xFFFF0.4000 | R/W | Channel 0 Control Register | 0x0000.0000 |
| GDMA_CTL1 | 0xFFFF0.4020 | R/W | Channel 1 Control Register | 0x0000.0000 |

| 31 | 30 | 29 | 28 | 27 | 26 | 25 | 24 |
|----------|----------|----------|---------|---------|----------|----------|---------|
| RESERVED | | | | | | | |
| 23 | 22 | 21 | 20 | 19 | 18 | 17 | 16 |
| RESERVED | SABNDERR | DABNDERR | GDMAERR | AUTOIEN | TC | BLOCK | SOFTREQ |
| 15 | 14 | 13 | 12 | 11 | 10 | 9 | 8 |
| DM | RESERVED | TWS | | SBMS | RESERVED | BME | SIEN |
| 7 | 6 | 5 | 4 | 3 | 2 | 1 | 0 |
| SAFIX | DAFIX | SADIR | DADIR | GDMAMS | | RESERVED | GDMAEN |



SABNDERR [22]: Source address Boundary alignment Error flag

If TWS [13:12]=10, GDMA_SRCB [1:0] should be 00

If TWS [13:12]=01, GDMA_SRCB [0] should be 0

The address boundary alignment should be depended on TWS [13:12].

0 = the GDMA_SRCB is on the boundary alignment.

1 = the GDMA_SRCB not on the boundary alignment

The SABNDERR register bits just can be read only.

DABNDERR [21]: Destination address Boundary alignment Error flag

If TWS [13:12]=10, GDMA_DSTB [1:0] should be 00

If TWS [13:12]=01, GDMA_DSTB [0] should be 0

The address boundary alignment should be depended on TWS [13:12].

0 = the GDMA_DSTB is on the boundary alignment.

1 = the GDMA_DSTB not on the boundary alignment

The DABNDERR register bits just can be read only.

GDMATERR [20]: GDMA Transfer Error

0 = No error occurs

1 = Hardware sets this bit on a GDMA transfer failure

Transfer error will generate GDMA interrupt

AUTOIEN [19]: Auto initialization Enable

0 = Disables auto initialization

1 = Enables auto initialization, the GDMA_CSRC0/1, GDMA_CDST0/1, and GDMA_CTCNT0/1 registers are updated by the GDMA_SRC0/1, GDMA_DST0/1, and GDMA_TCNT0/1 registers automatically when transfer is complete.

TC [18]: Terminal Count

0 = Channel does not expire

1 = Channel expires; this bit is set only by GDMA hardware, and clear by software to write logic 0.

TC [18] is the GDMA interrupt flag. TC [18] or GDMATERR[20] will generate interrupt

BLOCK [17]: Bus Lock

0 = Unlocks the bus during the period of transfer

1 = locks the bus during the period of transfer

SOFTREQ [16]: Software Triggered GDMA Request

Software can request the GDMA transfer service by setting this bit to 1. This bit is automatically cleared by hardware when the transfer is completed. This bit is available only while GDMAMS [3:2] register bits are set on software mode (memory to memory).



DM [15]: Demand Mode

0 = Normal external GDMA mode

1 = When this bit is set to 1, the external GDMA operation is speeded up. When external GDMA device is operating in the demand mode, the GDMA transfers data as long as the external GDMA request signal nXDREQ1/2/3 is active. The amount of data transferred depends on how long the nXDREQ1/2/3 is active. When the nXDREQ1/2/3 is active and GDMA gets the bus in Demand mode, DMA holds the system bus until the nXDREQ1/2/3 signal becomes non-active. Therefore, the period of the active nXDREQ1/2/3 signal should be carefully tuned such that the entire operation does not exceed an acceptable interval (for example, in a DRAM refresh operation).

TWS [13:12]: Transfer Width Select

00 = One byte (8 bits) is transferred for every GDMA operation

01 = One half-word (16 bits) is transferred for every GDMA operation

10 = One word (32 bits) is transferred for every GDMA operation

11 = Reserved

The GDMA_SCRB and GDMA_DSTB should be alignment under the TWS selection

SBMS [11]: Single/Block Mode Select

0 = Selects single mode. It requires an external GDMA request for every incurring GDMA operation.

1 = Selects block mode. It requires a single external GDMA request during the atomic GDMA operation. An atomic GDMA operation is defined as the sequence of GDMA operations until the transfer count register reaches zero.

7.7.2.1. BME [9]: Burst Mode Enable

0 = Disables the 4-data burst mode

1 = Enables the 4-data burst mode

If there are 16 words to be transferred, and BME [9]=1, the GDMA_TCNT should be 0x04;

However, if BME [9]=0, the GDMA_TCNT should be 0x10.

SIEN [8]: Stop Interrupt Enable

0 = Do not generate an interrupt when the GDMA operation is stopped

1 = interrupt is generated when the GDMA operation is stopped

SAFIX [7]: Source Address Fixed

0 = Source address is changed during the GDMA operation

1 = Do not change the destination address during the GDMA operation. This feature can be used when data were transferred from a single source to multiple destinations.



DAFIX [6]: Destination Address Fixed

0 = Destination address is changed during the GDMA operation

1 = Do not change the destination address during the GDMA operation. This feature can be used when data were transferred from multiple sources to a single destination.

DADIR [5]: Source Address Direction

0 = Source address is incremented successively

1 = Source address is decremented successively

DADIR [4]: Destination Address Direction

0 = Destination address is incremented successively

1 = Destination address is decremented successively

GDMAMS [3:2]: GDMA Mode Select

00 = Software mode (memory-to-memory)

01 = External nXDREQ1/2/3 mode for external device

10 = Reserved

11 = Reserved

GDMAEN [0]: GDMA Enable

0 = Disables the GDMA operation

1 = Enables the GDMA operation; this bit will be clear automatically when the transfer is complete on AUTOIEN [19] register bit is on Disable mode.

Channel 0/1 Source Base Address Register (GDMA_SRCB0, GDMA_SRCB1)

The GDMA channel starts reading its data from the source address as defined in this source base address register.

| REGISTER | ADDRESS | R/W | DESCRIPTION | RESET VALUE |
|------------|-------------|-----|--|-------------|
| GDMA_SRCB0 | 0xFFF0.4004 | R/W | Channel 0 Source Base Address Register | 0x0000.0000 |
| GDMA_SRCB1 | 0xFFF0.4024 | R/W | Channel 1 Source Base Address Register | 0x0000.0000 |

| | | | | | | | |
|-----------------------|----|----|----|----|----|----|----|
| 31 | 30 | 29 | 28 | 27 | 26 | 25 | 24 |
| SRC_BASE_ADDR [31:24] | | | | | | | |
| 23 | 22 | 21 | 20 | 19 | 18 | 17 | 16 |
| SRC_BASE_ADDR [23:16] | | | | | | | |
| 15 | 14 | 13 | 12 | 11 | 10 | 9 | 8 |
| SRC_BASE_ADDR [15:8] | | | | | | | |
| 7 | 6 | 5 | 4 | 3 | 2 | 1 | 0 |
| SRC_BASE_ADDR [7:0] | | | | | | | |



SRC_BASE_ADDR [31:0]: 32-bit Source Base Address

Channel 0/1 Destination Base Address Register (GDMA_DSTB0, GDMA_DSTB1)

The GDMA channel starts writing its data to the destination address as defined in this destination base address register. During a block transfer, the GDMA determines successive destination addresses by adding to or subtracting from the destination base address.

| REGISTER | ADDRESS | R/W | DESCRIPTION | RESET VALUE |
|------------|-------------|-----|---|-------------|
| GDMA_DSTB0 | 0xFFF0.4008 | R/W | Channel 0 Destination Base Address Register | 0x0000.0000 |
| GDMA_DSTB1 | 0xFFF0.4028 | R/W | Channel 1 Destination Base Address Register | 0x0000.0000 |

| | | | | | | | |
|-----------------------|----|----|----|----|----|----|----|
| 31 | 30 | 29 | 28 | 27 | 26 | 25 | 24 |
| DST_BASE_ADDR [31:24] | | | | | | | |
| 23 | 22 | 21 | 20 | 19 | 18 | 17 | 16 |
| DST_BASE_ADDR [23:16] | | | | | | | |
| 15 | 14 | 13 | 12 | 11 | 10 | 9 | 8 |
| DST_BASE_ADDR [15:8] | | | | | | | |
| 7 | 6 | 5 | 4 | 3 | 2 | 1 | 0 |
| DST_BASE_ADDR [7:0] | | | | | | | |

DST_BASE_ADDR [31:0]: 32-bit Destination Base Address

Channel 0/1 Transfer Count Register (GDMA_TCNT0, GDMA_TCNT1)

| REGISTER | ADDRESS | R/W | DESCRIPTION | RESET VALUE |
|------------|-------------|-----|-----------------------------------|-------------|
| GDMA_TCNT0 | 0xFFF0.400C | R/W | Channel 0 Transfer Count Register | 0x0000.0000 |
| GDMA_TCNT1 | 0xFFF0.402C | R/W | Channel 1 Transfer Count Register | 0x0000.0000 |

| | | | | | | | |
|-----------------|----|----|----|----|----|----|----|
| 31 | 30 | 29 | 28 | 27 | 26 | 25 | 24 |
| Reserved | | | | | | | |
| 23 | 22 | 21 | 20 | 19 | 18 | 17 | 16 |
| TFR_CNT [23:16] | | | | | | | |
| 15 | 14 | 13 | 12 | 11 | 10 | 9 | 8 |
| TFR_CNT [15:8] | | | | | | | |
| 7 | 6 | 5 | 4 | 3 | 2 | 1 | 0 |
| TFR_CNT [7:0] | | | | | | | |

TFR_CNT [23:0]: 24-bit Transfer Count

The TFR_CNT represents the required number of GDMA transfers. The maximum transfer count is 16M - 1.

W90N740CD/W90N740CDG



Channel 0/1 Current Source Register (GDMA_CSRC0, GDMA_CSRC1)

| REGISTER | ADDRESS | R/W | DESCRIPTION | RESET VALUE |
|------------|--------------|-----|---|-------------|
| GDMA_CSRC0 | 0xFFFF0.4010 | R | Channel 0 Current Source Address Register | 0x0000.0000 |
| GDMA_CSRC1 | 0xFFFF0.4030 | R | Channel 1 Current Source Address Register | 0x0000.0000 |

| | | | | | | | |
|--------------------------|----|----|----|----|----|----|----|
| 31 | 30 | 29 | 28 | 27 | 26 | 25 | 24 |
| CURRENT_SRC_ADDR [31:24] | | | | | | | |
| 23 | 22 | 21 | 20 | 19 | 18 | 17 | 16 |
| CURRENT_SRC_ADDR [23:16] | | | | | | | |
| 15 | 14 | 13 | 12 | 11 | 10 | 9 | 8 |
| CURRENT_SRC_ADDR [15:8] | | | | | | | |
| 7 | 6 | 5 | 4 | 3 | 2 | 1 | 0 |
| CURRENT_SRC_ADDR [7:0] | | | | | | | |

CURRENT_SRC_ADDR [31:0]: 32-bit Current Source Address

The CURRENT_SRC_ADDR indicates the source address where the GDMA transfer is just occurring. During a block transfer, the GDMA determines the successive source addresses by adding to or subtracting from the source base address. Depending on the settings you make to the control register, the current source address will remain the same or will be incremented or decremented.

Channel 0/1 Current Destination Register (GDMA_CDST0, GDMA_CDST1)

| REGISTER | ADDRESS | R/W | DESCRIPTION | RESET VALUE |
|------------|--------------|-----|--|-------------|
| GDMA_CDST0 | 0xFFFF0.4014 | R | Channel 0 Current Destination Address Register | 0x0000.0000 |
| GDMA_CDST1 | 0xFFFF0.4034 | R | Channel 1 Current Destination Address Register | 0x0000.0000 |

| | | | | | | | |
|--------------------------|----|----|----|----|----|----|----|
| 31 | 30 | 29 | 28 | 27 | 26 | 25 | 24 |
| CURRENT_DST_ADDR [31:24] | | | | | | | |
| 23 | 22 | 21 | 20 | 19 | 18 | 17 | 16 |
| CURRENT_DST_ADDR [23:16] | | | | | | | |
| 15 | 14 | 13 | 12 | 11 | 10 | 9 | 8 |
| CURRENT_DST_ADDR [15:8] | | | | | | | |
| 7 | 6 | 5 | 4 | 3 | 2 | 1 | 0 |
| CURRENT_DST_ADDR [7:0] | | | | | | | |

CURRENT_DST_ADDR [31:0]: 32-bit Current Destination Address

The CURRENT_DST_ADDR indicates the destination address where the GDMA transfer is just occurring. During a block transfer, the GDMA determines the successive destination addresses by adding to or subtracting from the destination base address. Depending on the settings you make to the control register, the current destination address will remain the same or will be incremented or decremented.

W90N740CD/W90N740CDG



Channel 0/1 Current Transfer Count Register (GDMA_CTCNT0, GDMA_CTCNT1)

The Current transfer count register indicates the number of transfer being performed.

| REGISTER | ADDRESS | R/W | DESCRIPTION | RESET VALUE |
|-------------|-------------|-----|---|-------------|
| GDMA_CTCNT0 | 0xFFF0.4018 | R | Channel 0 Current Transfer Count Register | 0x0000.0000 |
| GDMA_CTCNT1 | 0xFFF0.4038 | R | Channel 1 Current Transfer Count Register | 0x0000.0000 |

| | | | | | | | |
|-------------------------|----|----|----|----|----|----|----|
| 31 | 30 | 29 | 28 | 27 | 26 | 25 | 24 |
| Reserved | | | | | | | |
| 23 | 22 | 21 | 20 | 19 | 18 | 17 | 16 |
| CURRENT_TFR_CNT [23:16] | | | | | | | |
| 15 | 14 | 13 | 12 | 11 | 10 | 9 | 8 |
| CURRENT_TFR_CNT [15:8] | | | | | | | |
| 7 | 6 | 5 | 4 | 3 | 2 | 1 | 0 |
| CURRENT_TFR_CNT [7:0] | | | | | | | |

CURRENT_TFR_CNT [23:0]: Current Transfer Count



7.8 USB Host Controller

The **Universal Serial Bus (USB)** is a low-cost, low-to-middle speed peripheral interface standard intended for modem, printer, scanner, PDA, keyboard, mouse, and other devices that do not require a high-bandwidth parallel interface. The USB is a 4-wire serial cable bus that supports serial data exchange between a Host Controller and a peripheral device. The attached peripherals share USB bandwidth through a host-scheduled, token-based protocol. Peripherals may be attached, configured, used, and detached, while the host and other peripherals continue operation (i.e. hot plug and unplug is supported).

It allows user to setup a flexible, plug-and-play networks of USB devices. And in the USB network, there is only one USB host, but there can be many USB devices and USB hubs.

The Features of the USB Host Controller:

- USB 1.1 compatible
- Open Host Controller Interface (OHCI) 1.1 compatible.
- Supports both low-speed (1.5 Mbps) and full-speed (12Mbps) USB devices.
- Built-in DMA for real-time data transfer
- Option for on-chip USB transceiver or external USB transceiver



7.8.1 USB Host Controller Registers Map

| REGISTER | ADDRESS | R/W | DESCRIPTION | RESET VALUE |
|--------------------------|-------------|-----|--|-------------|
| OpenHCI Registers | | | | |
| HcRevision | 0xFFF0.5000 | R | Host Controller Revision Register | 0x0000.0010 |
| HcControl | 0xFFF0.5004 | R/W | Host Controller Control Register | 0x0000.0000 |
| HcCommandStatus | 0xFFF0.5008 | R/W | Host Controller Command Status Register | 0x0000.0000 |
| HcInterruptStatus | 0xFFF0.500C | R/W | Host Controller Interrupt Status Register | 0x0000.0000 |
| HcInterruptEnable | 0xFFF0.5010 | R/W | Host Controller Interrupt Enable Register | 0x0000.0000 |
| HcInterruptDisable | 0xFFF0.5014 | R/W | Host Controller Interrupt Disable Register | 0x0000.0000 |
| HcHCCA | 0xFFF0.5018 | R/W | Host Controller Communication Area Register | 0x0000.0000 |
| HcPeriodCurrentED | 0xFFF0.501C | R/W | Host Controller Period Current ED Register | 0x0000.0000 |
| HcControlHeadED | 0xFFF0.5020 | R/W | Host Controller Control Head ED Register | 0x0000.0000 |
| HcControlCurrentED | 0xFFF0.5024 | R/W | Host Controller Control Current ED Register | 0x0000.0000 |
| HcBulkHeadED | 0xFFF0.5028 | R/W | Host Controller Bulk Head ED Register | 0x0000.0000 |
| HcBulkCurrentED | 0xFFF0.502C | R/W | Host Controller Bulk Current ED Register | 0x0000.0000 |
| HcDoneHead | 0xFFF0.5030 | R/W | Host Controller Done Head Register | 0x0000.0000 |
| HcFmInterval | 0xFFF0.5034 | R/W | Host Controller Frame Interval Register | 0x0000.2EDF |
| HcFrameRemaining | 0xFFF0.5038 | R | Host Controller Frame Remaining Register | 0x0000.0000 |
| HcFmNumber | 0xFFF0.503C | R | Host Controller Frame Number Register | 0x0000.0000 |
| HcPeriodicStart | 0xFFF0.5040 | R/W | Host Controller Periodic Start Register | 0x0000.0000 |
| HcLSThreshold | 0xFFF0.5044 | R/W | Host Controller Low Speed Threshold Register | 0x0000.0628 |
| HcRhDescriptorA | 0xFFF0.5048 | R/W | Host Controller Root Hub Descriptor A Register | 0x0100.0002 |
| HcRhDescriptorB | 0xFFF0.504C | R/W | Host Controller Root Hub Descriptor B Register | 0x0000.0000 |
| HcRhStatus | 0xFFF0.5050 | R/W | Host Controller Root Hub Status Register | 0x0000.0000 |
| HcRhPortStatus [1] | 0xFFF0.5054 | R/W | Host Controller Root Hub Port Status [1] | 0x0000.0000 |
| HcRhPortStatus [2] | 0xFFF0.5058 | R/W | Host Controller Root Hub Port Status [2] | 0x0000.0000 |

W90N740CD/W90N740CDG



Host Controller Revision Register (HcRevision)

| REGISTER | ADDRESS | R/W | DESCRIPTION | RESET VALUE |
|------------|-------------|-----|-----------------------------------|-------------|
| HcRevision | 0xFFF0.5000 | R | Host Controller Revision Register | 0x0000.0010 |

| Register: <i>HcRevision</i> | | | |
|-----------------------------|-------|-----|--|
| BITS | RESET | R/W | DESCRIPTION |
| 7-0 | 10h | R | Revision Indicates the Open HCI Specification revision number implemented by the Hardware. Host Controller supports 1.1 specification. (X.Y = XYh) |
| 31-8 | 0h | - | Reserved. Read/Write 0's |

Host Controller Control Register (HcControl)

| REGISTER | ADDRESS | R/W | DESCRIPTION | RESET VALUE |
|-----------|-------------|-----|----------------------------------|-------------|
| HcControl | 0xFFF0.5004 | R/W | Host Controller Control Register | 0x0000.0000 |

| Register: <i>HcControl</i> | | | |
|----------------------------|-------|-----|---|
| BITS | RESET | R/W | DESCRIPTION |
| 1-0 | 00b | R/W | ControlBulkServiceRatio Specifies the number of Control Endpoints serviced for every Bulk Endpoint. Encoding is N-1 where N is the number of Control Endpoints (i.e. '00' = 1 Control Endpoint; '11' = 3 Control Endpoints) |
| 2 | 0b | R/W | PeriodicListEnable When set, this bit enables processing of the Periodic (interrupt and isochronous) list. The Host Controller checks this bit prior to attempting any periodic transfers in a frame. |
| 3 | 0b | R/W | IsochronousEnable When clear, this bit disables the Isochronous List when the Periodic List is enabled (so Interrupt EDs may be serviced). While processing the Periodic List, the Host Controller will check this bit when it finds an isochronous ED. |
| 4 | 0b | R/W | ControlListEnable When set this bit enables processing of the Control list. |
| 5 | 0b | R/W | BulkListEnable When set this bit enables processing of the Bulk list. |

W90N740CD/W90N740CDG



Continued.

| Register: <i>HcControl</i> | | | |
|----------------------------|-------|-----|---|
| BITS | RESET | R/W | DESCRIPTION |
| 7-6 | 00b | R/W | HostControllerFunctionalState This field sets the Host Controller state. The Controller may force a state change from USBsuspend to USBRESUME after detecting resume signaling from a downstream port. States are: 00: USBRESET 01: USBRESUME 10: USBOPERATIONAL 11: USBsuspend |
| 8 | 0b | R/W | InterruptRouting This bit is used for interrupt routing: 0: Interrupts routed to normal interrupt mechanism (INT). 1: Interrupts routed to SMI. |
| 9 | 0b | R | RemoteWakeupConnected This bit indicated whether the HC supports a remote wakeup signal. This implementation does not support any such signal. The bit is hard-coded to '0.' |
| 10 | 0b | R/W | RemoteWakeupConnectedEnable If a remote wakeup signal is supported, this bit enables that operation. Since there is no remote wakeup signal supported, this bit is ignored. |
| 31-11 | 0h | - | Reserved. Read/Write 0's |

W90N740CD/W90N740CDG



Host Controller Command Status Register (HcCommandStatus)

| REGISTER | ADDRESS | R/W | DESCRIPTION | RESET VALUE |
|-----------------|-------------|-----|---|-------------|
| HcCommandStatus | 0xFFF0.5008 | R/W | Host Controller Command Status Register | 0x0000.0000 |

| Register: <i>HcCommandStatus</i> | | | |
|----------------------------------|-------|-----|--|
| BITS | RESET | R/W | DESCRIPTION |
| 0 | 0b | R/W | HostControllerReset This bit is set to initiate the software reset. This bit is cleared by the Host Controller, upon completed of the reset operation. |
| 1 | 0b | R/W | ControlListFilled Set to indicate there is an active ED on the Control List. It may be set by either software or the Host Controller and cleared by the Host Controller each time it begins processing the head of the Control List. |
| 2 | 0b | R/W | BulkListFilled Set to indicate there is an active ED on the Bulk List. The bit may be set by either software or the Host Controller and cleared by the Host Controller each time it begins processing the head of the Bulk List. |
| 3 | 0b | R/W | OwnershipChangeRequest When set by software, this bit sets the OwnershipChange field in <i>HcInterruptStatus</i> . The bit is cleared by software. |
| 15-4 | 0h | - | Reserved. Read/Write 0's |
| 17-16 | 00b | | ScheduleOverrunCount This field is increment every time the SchedulingOverrun bit in <i>HcInterruptStatus</i> is set. The count wraps from '11' to '00.' |
| 31-18 | 0h | - | Reserved. Read/Write 0's |



Host Controller Interrupt Status Register (HcInterruptStatus)

All bits are set by hardware and cleared by software.

| REGISTER | ADDRESS | R/W | DESCRIPTION | RESET VALUE |
|-------------------|-------------|-----|---|-------------|
| HcInterruptStatus | 0xFFF0.500C | R/W | Host Controller Interrupt Status Register | 0x0000.0000 |

| Register: <i>HcInterruptStatus</i> | | | |
|------------------------------------|-------|-----|---|
| BITS | RESET | R/W | DESCRIPTION |
| 0 | 0b | R/W | SchedulingOverrun Set when the List Processor determines a Schedule Overrun has occurred. |
| 1 | 0b | R/W | WritebackDoneHead Set after the Host Controller has written <i>HcDoneHead</i> to <i>HccaDoneHead</i> . |
| 2 | 0b | R/W | StartOfFrame Set when the Frame Management block signals a 'Start of Frame' event. |
| 3 | 0b | R/W | ResumeDetected Set when Host Controller detects resume signaling on a downstream port. |
| 4 | 0b | R | UnrecoverableError This event is not implemented and is hard-coded to '0.' Writes are ignored. |
| 5 | 0b | R/W | FrameNumberOverflow Set when bit 15 of FrameNumber changes value. |
| 6 | 0b | R/W | RootHubStatusChange This bit is set when the content of <i>HcRhStatus</i> or the content of any <i>HcRhPortStatus</i> register has changed. |
| 29-7 | 0h | - | Reserved. Read/Write 0's |
| 30 | 0b | R/W | OwnershipChange This bit is set when the OwnershipChangeRequest bit of <i>HcCommandStatus</i> is set. |
| 31 | 0h | - | Reserved. Read/Write 0's |

W90N740CD/W90N740CDG



Host Controller Interrupt Enable Register (HcInterruptEnable)

Writing a '1' to a bit in this register sets the corresponding bit, while writing a '0' leaves the bit unchanged.

| REGISTER | ADDRESS | R/W | DESCRIPTION | RESET VALUE |
|-------------------|-------------|-----|---|-------------|
| HcInterruptEnable | 0xFFF0.5010 | R/W | Host Controller Interrupt Enable Register | 0x0000.0000 |

| Register: HcInterruptEnable | | | DESCRIPTION |
|-----------------------------|-------|-----|--|
| BITS | RESET | R/W | DESCRIPTION |
| 0 | 0b | R/W | SchedulingOverrunEnable 0: Ignore 1: Enable interrupt generation due to Scheduling Overrun. |
| 1 | 0b | R/W | WritebackDoneHeadEnable 0: Ignore 1: Enable interrupt generation due to Write-back Done Head. |
| 2 | 0b | R/W | StartOfFrameEnable 0: Ignore 1: Enable interrupt generation due to Start of Frame. |
| 3 | 0b | R/W | ResumeDetectedEnable 0: Ignore 1: Enable interrupt generation due to Resume Detected. |
| 4 | 0b | R/W | UnrecoverableErrorEnable This event is not implemented. All writes to this bit are ignored. |
| 5 | 0b | R/W | FrameNumberOverflowEnable 0: Ignore 1: Enable interrupt generation due to Frame Number Overflow. |
| 6 | 0b | R/W | RootHubStatusChangeEnable 0: Ignore 1: Enable interrupt generation due to Root Hub Status Change. |
| 29-7 | 0h | - | Reserved. Read/Write 0's |
| 30 | 0b | R/W | OwnershipChangeEnable 0: Ignore 1: Enable interrupt generation due to Ownership Change. |
| 31 | 0b | R/W | MasterInterruptEnable This bit is a global interrupt enable. A write of '1' allows interrupts to be enabled via the specific enable bits listed above. |

W90N740CD/W90N740CDG



Host Controller Interrupt Disable Register (HcInterruptDisable)

Writing a '1' to a bit in this register clears the corresponding bit, while writing a '0' to a bit leaves the bit unchanged.

| REGISTER | ADDRESS | R/W | DESCRIPTION | RESET VALUE |
|--------------------|-------------|-----|--|-------------|
| HcInterruptDisable | 0xFFF0.5014 | R/W | Host Controller Interrupt Disable Register | 0x0000.0000 |

| Register: <i>HcInterruptStatus</i> | | | |
|------------------------------------|-------|-----|---|
| BITS | RESET | R/W | DESCRIPTION |
| 0 | 0b | R/W | SchedulingOverrunEnable 0: Ignore 1: Disable interrupt generation due to Scheduling Overrun. |
| 1 | 0b | R/W | WritebackDoneHeadEnable 0: Ignore 1: Disable interrupt generation due to Write-back Done Head. |
| 2 | 0b | R/W | StartOfFrameEnable 0: Ignore 1: Disable interrupt generation due to Start of Frame. |
| 3 | 0b | R/W | ResumeDetectedEnable 0: Ignore 1: Disable interrupt generation due to Resume Detected. |
| 4 | 0b | R/W | UnrecoverableErrorEnable This event is not implemented. All writes to this bit will be ignored. |
| 5 | 0b | R/W | FrameNumberOverflowEnable 0: Ignore 1: Disable interrupt generation due to Frame Number Overflow. |
| 6 | 0b | R/W | RootHubStatusChangeEnable 0: Ignore 1: Disable interrupt generation due to Root Hub Status Change. |
| 29-7 | 0h | - | Reserved. Read/Write 0's |
| 30 | 0b | R/W | OwnershipChangeEnable 0: Ignore 1: Disable interrupt generation due to Ownership Change. |
| 31 | 0b | R/W | MasterInterruptEnable Global interrupt disable. A write of '1' disables all interrupts. |

W90N740CD/W90N740CDG



Host Controller Communication Area Register (HcHCCA)

| REGISTER | ADDRESS | R/W | DESCRIPTION | RESET VALUE |
|----------|-------------|-----|---|-------------|
| HcHCCA | 0xFFF0.5018 | R/W | Host Controller Communication Area Register | 0x0000.0000 |

| Register: <i>HcHCCA</i> | | | | |
|-------------------------|-------|-----|--|--|
| BITS | RESET | R/W | DESCRIPTION | |
| 31-8 | 0h | R/W | HCCA Pointer to HCCA base address. | |

Host Controller Period Current ED Register (HcPeriodCurrentED)

| REGISTER | ADDRESS | R/W | DESCRIPTION | RESET VALUE |
|-------------------|-------------|-----|--|-------------|
| HcPeriodCurrentED | 0xFFF0.501C | R/W | Host Controller Period Current ED Register | 0x0000.0000 |

| Register: <i>HcPeriodCurrentED</i> | | | | |
|------------------------------------|-------|-----|--|--|
| BITS | RESET | R/W | DESCRIPTION | |
| 3-0 | 0h | - | Reserved. Read/Write 0's | |
| 31-4 | 0h | R/W | PeriodCurrentED Pointer to the current Periodic List ED. | |

Host Controller Control Head ED Register (HcControlHeadED)

| REGISTER | ADDRESS | R/W | DESCRIPTION | RESET VALUE |
|-----------------|-------------|-----|--|-------------|
| HcControlHeadED | 0xFFF0.5020 | R/W | Host Controller Control Head ED Register | 0x0000.0000 |

| Register: <i>HcControlHeadED</i> | | | | |
|----------------------------------|-------|-----|--|--|
| BITS | RESET | R/W | DESCRIPTION | |
| 3-0 | 0h | - | Reserved. Read/Write 0's | |
| 31-4 | 0h | R/W | ControlHeadED Pointer to the Control List Head ED. | |

W90N740CD/W90N740CDG



Host Controller Control Current ED Register (HcControlCurrentED)

| REGISTER | ADDRESS | R/W | DESCRIPTION | RESET VALUE |
|--------------------|------------|-----|---|-------------|
| HcControlCurrentED | 0xFF0.5024 | R/W | Host Controller Control Current ED Register | 0x0000.0000 |

| Register: <i>HcControlCurrentED</i> | | | DESCRIPTION |
|-------------------------------------|-------|-----|--|
| BITS | RESET | R/W | DESCRIPTION |
| 3-0 | 0h | - | Reserved. Read/Write 0's |
| 31-4 | 0h | R/W | ControlCurrentED Pointer to the current Control List ED. |

Host Controller Bulk Head ED Register (HcBulkHeadED)

| REGISTER | ADDRESS | R/W | DESCRIPTION | RESET VALUE |
|--------------|------------|-----|---------------------------------------|-------------|
| HcBulkHeadED | 0xFF0.5028 | R/W | Host Controller Bulk Head ED Register | 0x0000.0000 |

| Register: <i>HcBulkHeadED</i> | | | DESCRIPTION |
|-------------------------------|-------|-----|--|
| BITS | RESET | R/W | DESCRIPTION |
| 3-0 | 0h | - | Reserved. Read/Write 0's |
| 31-4 | 0h | R/W | BulkHeadED Pointer to the Bulk List Head ED. |

Host Controller Bulk Current ED Register (HcBulkCurrentED)

| REGISTER | ADDRESS | R/W | DESCRIPTION | RESET VALUE |
|-----------------|------------|-----|--|-------------|
| HcBulkCurrentED | 0xFF0.502C | R/W | Host Controller Bulk Current ED Register | 0x0000.0000 |

| Register: <i>HcBulkCurrentED</i> | | | DESCRIPTION |
|----------------------------------|-------|-----|--|
| BITS | RESET | R/W | DESCRIPTION |
| 3-0 | 0h | - | Reserved. Read/Write 0's |
| 31-4 | 0h | R/W | BulkCurrentED Pointer to the current Bulk List ED. |

W90N740CD/W90N740CDG



Host Controller Done Head Register (HcDoneHead)

| REGISTER | ADDRESS | R/W | DESCRIPTION | RESET VALUE |
|------------|-------------|-----|------------------------------------|-------------|
| HcDoneHead | 0xFFF0.5030 | R/W | Host Controller Done Head Register | 0x0000.0000 |

| Register: <i>HcDoneHead</i> | | | |
|-----------------------------|-------|-----|--|
| BITS | RESET | R/W | DESCRIPTION |
| 3-0 | 0h | - | Reserved. Read/Write 0's |
| 31-4 | 0h | R/W | DoneHead Pointer to the current Done List Head ED. |

Host Controller Frame Interval Register (HcFmInterval)

| REGISTER | ADDRESS | R/W | DESCRIPTION | RESET VALUE |
|--------------|-------------|-----|---|-------------|
| HcFmInterval | 0xFFF0.5034 | R/W | Host Controller Frame Interval Register | 0x0000.2EDF |

| Register: <i>HcFmInterval</i> | | | |
|-------------------------------|-------|-----|---|
| BITS | RESET | R/W | DESCRIPTION |
| 13-0 | 2EDFh | R/W | FrameInterval This field specifies the length of a frame as (bit times - 1). For 12,000 bit times in a frame, a value of 11,999 is stored here. |
| 15-14 | 0h | - | Reserved. Read/Write 0's |
| 30-16 | | | FSLargestDataPacket This field specifies a value that is loaded into the Largest Data Packet Counter at the beginning of each frame. |
| 31 | | | FrameIntervalToggle This bit is toggled by HCD when it loads a new value into FrameInterval . |

W90N740CD/W90N740CDG



Host Controller Frame Remaining Register (HcFrameRemaining)

| REGISTER | ADDRESS | R/W | DESCRIPTION | RESET VALUE |
|------------------|-------------|-----|--|-------------|
| HcFrameRemaining | 0xFFF0.5038 | R | Host Controller Frame Remaining Register | 0x0000.0000 |

| Register: <i>HcFrameRemaining</i> | | | |
|-----------------------------------|-------|------|--|
| BITS | RESET | R/W+ | DESCRIPTION |
| 13-0 | 0b | R | FrameRemaining When the Host Controller is in the USBOPERATIONAL state, this 14-bit field decrements each 12 MHz clock period. When the count reaches 0, (end of frame) the counter reloads with FrameInterval . In addition, the counter loads when the Host Controller transitions into USBOPERATIONAL. |
| 30-14 | 0h | - | Reserved. Read/Write 0's |
| 31 | 0b | R | FrameRemainingToggle Loaded with FrameIntervalToggle when FrameRemaining is loaded. |

Host Controller Frame Number Register (HcFmNumber)

| REGISTER | ADDRESS | R/W | DESCRIPTION | RESET VALUE |
|------------|-------------|-----|---------------------------------------|-------------|
| HcFmNumber | 0xFFF0.503C | R | Host Controller Frame Number Register | 0x0000.0000 |

| Register: <i>HcFmNumber</i> | | | |
|-----------------------------|-------|-----|---|
| BITS | RESET | R/W | DESCRIPTION |
| 15-0 | 0b | R | FrameNumber This 16-bit incrementing counter field is incremented coincident with the loading of FrameRemaining . The count rolls over from 'FFFFh' to '0h.' |
| 31-16 | 0h | - | Reserved. Read/Write 0's |

W90N740CD/W90N740CDG



Host Controller Periodic Start Register (HcPeriodicStart)

| REGISTER | ADDRESS | R/W | DESCRIPTION | RESET VALUE |
|-----------------|-------------|-----|---|-------------|
| HcPeriodicStart | 0xFFF0.5040 | R/W | Host Controller Periodic Start Register | 0x0000.0000 |

| Register: <i>HcPeriodicStart</i> | | | |
|----------------------------------|-------|-----|---|
| BITS | RESET | R/W | DESCRIPTION |
| 13-0 | 0b | R/W | PeriodicStart This field contains a value used by the List Processor to determine where in a frame the Periodic List processing must begin. |
| 31-14 | 0h | - | Reserved. Read/Write 0's |

Host Controller Low Speed Threshold Register (HcLSThreshold)

| REGISTER | ADDRESS | R/W | DESCRIPTION | RESET VALUE |
|---------------|-------------|-----|--|-------------|
| HcLSThreshold | 0xFFF0.5044 | R/W | Host Controller Low Speed Threshold Register | 0x0000.0628 |

| Register: <i>HcLSThreshold</i> | | | |
|--------------------------------|-------|-----|---|
| BITS | RESET | R/W | DESCRIPTION |
| 11-0 | 628h | R/W | LSThreshold This field contains a value used by the Frame Management block to determine whether or not a low speed transaction can be started in the current frame. |
| 31-12 | 0h | - | Reserved. Read/Write 0's |

W90N740CD/W90N740CDG



Host Controller Root Hub Descriptor A Register (HcRhDescriptorA)

This register is only reset by a power-on reset. It is written during system initialization to configure the Root Hub. This bit should not be written during normal operation.

| REGISTER | ADDRESS | R/W | DESCRIPTION | RESET VALUE |
|-----------------|-------------|-----|--|-------------|
| HcRhDescriptorA | 0xFFF0.5048 | R/W | Host Controller Root Hub Descriptor A Register | 0x0100.0002 |

| Register: <i>HcRhDescriptorA</i> | | | DESCRIPTION |
|----------------------------------|-------|-----|---|
| BITS | RESET | R/W | |
| 7-0 | 02h | R | NumberDownstreamPorts table of none-4 supports two downstream ports. |
| 8 | 0 | R/W | PowerSwitchingMode Global power switching mode implemented in HYDRA-2. This bit is only valid when NoPowerSwitching is cleared. This bit should be written '0'. 0 = Global Switching 1 = Individual Switching |
| 9 | 0 | R/W | NoPowerSwitching Global power switching implemented in HYDRA-2. This bit should be written to support the external system port power switching implementation. 0 = Ports are power switched. 1 = Ports are always powered on. |
| 10 | 0 | R | DeviceType table of none-4is not a compound device. |
| 11 | 0 | R/W | OverCurrentProtectionMode Global over-current reporting implemented in HYDRA-2. This bit should be written 0 and is only valid when NoOverCurrentProtection is cleared. 0 = Global Over-Current 1 = Individual Over-Current |
| 12 | 0 | R/W | NoOverCurrentProtection Global over-current reporting implemented in HYDRA-2. This bit should be written to support the external system port over-current implementation. 0 = Over-current status is reported 1 = Over-current status is not reported |
| 23-13 | 0h | - | Reserved. Read/Write 0's |
| 31-24 | 01h | R/W | PowerOnToPowerGoodTime This field value is represented as the number of 2 ms intervals, which ensuring that the power switching is effective within 2 ms. Only bits [25:24] are implemented as R/W. The remaining bits are read only as '0'. It is not expected that these bits be written to anything other than 1h, but limited adjustment is provided. This field should be written to support system implementation. This field should always be written to a non-zero value. |



Host Controller Root Hub Descriptor B Register (HcRhDescriptorB)

This register is only reset by a power-on reset. It is written during system initialization to configure the Root Hub. These bits should not be written during normal operation.

| Register | Address | R/W | Description | Reset Value |
|-----------------|-------------|-----|--|-------------|
| HcRhDescriptorB | 0xFFF0.504C | R/W | Host Controller Root Hub Descriptor B Register | 0x0000.0000 |

| Register: <i>HcRhDescriptorB</i> | | | |
|----------------------------------|-------|-----|--|
| Bits | Reset | R/W | Description |
| 15-0 | 0000h | R/W | <p>DeviceRemoveable</p> <p>table of none-4 ports default to removable devices. 0 = Device not removable 1 = Device removable</p> <p>Port Bit relationship 0 : Reserved 1 : Port 1 2 : Port 2 ... 15 : Port 15</p> <p>Unimplemented ports are reserved, read/write '0'.</p> |
| 31-16 | 0000h | R/W | <p>PortPowerControlMask</p> <p>Global-power switching. This field is only valid if NoPowerSwitching is cleared and PowerSwitchingMode is set (individual port switching). When set, the port only responds to individual port power switching commands (Set/ClearPortPower). When cleared, the port only responds to global power switching commands (Set/ClearGlobalPower). 0 = Device not removable 1 = Global-power mask</p> <p>Port Bit relationship - Unimplemented ports are reserved, read/write '0'. 0 : Reserved 1 : Port 1 2 : Port 2 ... 15 : Port 15</p> |



Host Controller Root Hub Status Register (HcRhStatus)

This register is reset by the USBRESET state.

| Register | Address | R/W | Description | Reset Value |
|------------|-------------|-----|--|-------------|
| HcRhStatus | 0xFFF0.5050 | R/W | Host Controller Root Hub Status Register | 0x0000.0000 |

| Register: <i>HcRhStatus</i> | | | |
|-----------------------------|-------|-----|--|
| Bits | Reset | R/W | Description |
| 0 | 0 | R/W | <p>(Read) LocalPowerStatus Not Supported. Always read '0'.</p> <p>(Write) ClearGlobalPower Writing a '1' issues a ClearGlobalPower command to the ports. Writing a '0' has no effect.</p> |
| 1 | - | R | <p>OverCurrentIndicator This bit reflects the state of the OVRCUR pin. This field is only valid if NoOverCurrentProtection and OverCurrentProtectionMode are cleared. 0 = No over-current condition 1 = Over-current condition</p> |
| 14-2 | 0h | - | Reserved. Read/Write 0's |
| 15 | 0 | R/W | <p>(Read) DeviceRemoteWakeupEnable This bit enables ports' ConnectStatusChange as a remote wakeup event. 0 = disabled 1 = enabled</p> <p>(Write) SetRemoteWakeupEnable Writing a '1' sets DeviceRemoteWakeupEnable. Writing a '0' has no effect.</p> |
| 16 | 0 | R/W | <p>(Read) LocalPowerStatusChange Not supported. Always read '0'.</p> <p>(Write) SetGlobalPower Write a '1' issues a SetGlobalPower command to the ports. Writing a '0' has no effect.</p> |
| 17 | 0 | R/W | <p>OverCurrentIndicatorChange This bit is set when OverCurrentIndicator changes. Writing a '1' clears this bit. Writing a '0' has no effect.</p> |
| 30-18 | 0h | - | Reserved. Read/Write 0's |
| 31 | 0 | W | <p>(Write) ClearRemoteWakeupEnable Writing a '1' to this bit clears DeviceRemoteWakeupEnable. Writing a '1' has no effect.</p> |

W90N740CD/W90N740CDG



Host Controller Root Hub Port Status (HcRhPortStatus [1:2])

This register is reset by the USBRESET state.

| Register | Address | R/W | Description | Reset Value |
|--------------------|-------------|-----|--|-------------|
| HcRhPortStatus [1] | 0xFFF0.5054 | R/W | Host Controller Root Hub Port Status [1] | 0x0000.0000 |
| HcRhPortStatus [2] | 0xFFF0.5058 | R/W | Host Controller Root Hub Port Status [2] | 0x0000.0000 |

| Register: HcRhPortStatus[1:2] | | | |
|-------------------------------|-------|-----|---|
| Bits | Reset | R/W | Description |
| 0 | 0 | R/W | <p>(Read) CurrentConnectStatus 0 = No device connected. 1 = Device connected. NOTE: If DeviceRemoveable is set (not removable) this bit is always '1'.</p> <p>(Write) ClearPortEnable Writing '1' a clears PortEnableStatus. Writing a '0' has no effect.</p> |
| 1 | 0 | R/W | <p>(Read) PortEnableStatus 0 = Port disabled. 1 = Port enabled.</p> <p>(Write) SetPortEnable Writing a '1' sets PortEnableStatus. Writing a '0' has no effect.</p> |
| 2 | 0 | R/W | <p>(Read) PortSuspendStatus 0 = Port is not suspended 1 = Port is selectively suspended</p> <p>(Write) SetPortSuspend Writing a '1' sets PortSuspendStatus. Writing a '0' has no effect.</p> |
| 3 | 0 | R/W | <p>(Read) PortOverCurrentIndicator table of none-2 supports global over-current reporting. This bit reflects the state of the OVRCUR pin dedicated to this port. This field is only valid if NoOverCurrentProtection is cleared and OverCurrentProtectionMode is set. 0 = No over-current condition 1 = Over-current condition</p> <p>(Write) ClearPortSuspend Writing a '1' initiates the selective resume sequence for the port. Writing a '0' has no effect.</p> |
| 4 | 0 | R/W | <p>(Read) PortResetStatus 0 = Port reset signal is not active. 1 = Port reset signal is active.</p> <p>(Write) SetPortReset Writing a '1' sets PortResetStatus. Writing a '0' has no effect.</p> |

W90N740CD/W90N740CDG



Continued.

| Register: <i>HcRhPortStatus[1:2]</i> | | | |
|--------------------------------------|-------|-----|--|
| BITS | RESET | R/W | DESCRIPTION |
| 7-5 | 0h | - | Reserved. Read/Write 0's |
| 8 | 0 | R/W | <p>(Read) PortPowerStatus This bit reflects the power state of the port regardless of the power switching mode. 0 = Port power is off. 1 = Port power is on. Note: If NoPowerSwitching is set, this bit is always read as '1'. (Write) SetPortPower Writing a '1' sets PortPowerStatus. Writing a '0' has no effect.</p> |
| 9 | 0 | R/W | <p>(Read) LowSpeedDeviceAttached This bit defines the speed (and bud idle) of the attached device. It is only valid when CurrentConnectStatus is set. 0 = Full Speed device 1 = Low Speed device (Write) ClearPortPower Writing a '1' clears PortPowerStatus. Writing a '0' has no effect</p> |
| 15-10 | 0h | - | Reserved. Read/Write 0's |
| 16 | 0 | R/W | <p>ConnectStatusChange This bit indicates a connect or disconnect event has been detected. Writing a '1' clears this bit. Writing a '0' has no effect. 0 = No connect/disconnect event. 1 = Hardware detection of connect/disconnect event. Note: If DeviceRemoveable is set, this bit resets to '1'.</p> |
| 17 | 0 | R/W | <p>PortEnableStatusChange This bit indicates that the port has been disabled due to a hardware event (cleared PortEnableStatus). 0 = Port has not been disabled. 1 = PortEnableStatus has been cleared.</p> |
| 18 | 0 | R/W | <p>PortSuspendStatusChange This bit indicates the completion of the selective resume sequence for the port. 0 = Port is not resumed. 1 = Port resume is complete.</p> |
| 19 | 0 | R/W | <p>PortOverCurrentIndicatorChange This bit is set when OverCurrentIndicator changes. Writing a '1' clears this bit. Writing a '0' has no effect.</p> |
| 20 | 0 | R/W | <p>PortResetStatusChange This bit indicates that the port reset signal has completed. 0 = Port reset is not complete. 1 = Port reset is complete.</p> |
| 31-21 | 0h | - | Reserved. Read/Write 0's |



7.9 UART Controller

The **Universal Asynchronous Receiver/Transmitter (UART)** performs a serial-to-parallel conversion on data characters received from the peripheral such as MODEM, and a parallel-to-serial conversion on data characters received from the CPU.

There are five types of interrupts, i.e., **line status interrupt, transmitter FIFO empty interrupt, receiver threshold level reaching interrupt, time out interrupt, and MODEM status interrupt**. One 16-byte transmitter FIFO (**TX_FIFO**) and one 16-byte (plus 3-bit of error data per byte) receiver FIFO (**RX_FIFO**) has been built in to reduce the number of interrupts presented to the CPU. The CPU can completely read the status of the UART at any time during the operation. The reported status information includes the type and condition of the transfer operations being performed by the UART, as well as any error conditions (parity, overrun, framing, or break interrupt) found. The UART includes a programmable baud rate generator that is capable of dividing crystal clock input by divisors to produce the clock that transmitter and receiver needed. The equation is

$$\text{BaudOut} = \text{crystal clock} / 16 * [\text{Divisor} + 2].$$

The Features of the UART:

- Transmitter and receiver are buffered with a 16-byte FIFO each to reduce the number of interrupts.
- Full set of MODEM control functions (CTS, RTS, DSR, DTR, RI and DCD)
- Fully programmable serial-interface characteristics:
 - 5-, 6-, 7-, or 8-bit character
 - Even, odd, or no-parity bit generation and detection
 - 1-, 1&1/2, or 2-stop bit generation
 - Baud rate generation
- Break generation and detection
- False start bit detection
- Parity, overrun, and framing error detection
- Full prioritized interrupt system controls



7.9.1 UART Control Registers Map

R: read only, W: write only, R/W: both read and write, C: Only value 0 can be written

| REGISTER | ADDRESS | R/W | DESCRIPTION | RESET VALUE |
|----------|-------------|-----|---|-------------|
| RBR | 0xFFF8.0000 | R | Receive Buffer Register (DLAB = 0) | Undefined |
| THR | 0xFFF8.0000 | W | Transmit Holding Register (DLAB = 0) | Undefined |
| IER | 0xFFF8.0004 | R/W | Interrupt Enable Register (DLAB = 0) | 0x0000.0000 |
| DLL | 0xFFF8.0000 | R/W | Divisor Latch Register (LS) (DLAB = 1) | 0x0000.0000 |
| DLM | 0xFFF8.0004 | R/W | Divisor Latch Register (MS) (DLAB = 1) | 0x0000.0000 |
| IIR | 0xFFF8.0008 | R | Interrupt Identification Register | 0x8181.8181 |
| FCR | 0xFFF8.0008 | W | FIFO Control Register | Undefined |
| LCR | 0xFFF8.000C | R/W | Line Control Register | 0x0000.0000 |
| MCR | 0xFFF8.0010 | R/W | Modem Control Register | 0x0000.0000 |
| LSR | 0xFFF8.0014 | R | Line Status Register | 0x6060.6060 |
| MSR | 0xFFF8.0018 | R | MODEM Status Register | 0x0000.0000 |
| TOR | 0xFFF8.001C | R/W | Time Out Register | 0x0000.0000 |

Receive Buffer Register (RBR)

| REGISTER | ADDRESS | R/W | DESCRIPTION | RESET VALUE |
|----------|-------------|-----|------------------------------------|-------------|
| RBR | 0xFFF8.0000 | R | Receive Buffer Register (DLAB = 0) | Undefined |

| 7 | 6 | 5 | 4 | 3 | 2 | 1 | 0 |
|---------------------|---|---|---|---|---|---|---|
| 8-bit Received Data | | | | | | | |

8-bit Received Data [7:0]

By reading this register, the UART will return an 8-bit data received from SIN pin (LSB first).



Transmit Holding Register (THR)

| REGISTER | ADDRESS | R/W | DESCRIPTION | RESET VALUE |
|----------|-------------|-----|--------------------------------------|-------------|
| THR | 0xFFF8.0000 | W | Transmit Holding Register (DLAB = 0) | Undefined |

| 7 | 6 | 5 | 4 | 3 | 2 | 1 | 0 |
|------------------------|---|---|---|---|---|---|---|
| 8-bit Transmitted Data | | | | | | | |

8-bit Transmitted Data [7:0]

By writing to this register, the UART will send out an 8-bit data through the SOUT pin (LSB first).

Interrupt Enable Register (IER)

| REGISTER | ADDRESS | R/W | DESCRIPTION | RESET VALUE |
|----------|-------------|-----|--------------------------------------|-------------|
| IER | 0xFFF8.0004 | R/W | Interrupt Enable Register (DLAB = 0) | 0x0000.0000 |

| 7 | 6 | 5 | 4 | 3 | 2 | 1 | 0 |
|----------|---|---|------------|------|-------|--------|-------|
| RESERVED | | | nDBGACK_EN | MSIE | RLSIE | THREIE | RDAIE |

nDBGACK_EN [4]: ICE debug mode acknowledge enable

0 = When DBGACK is high, the UART receiver time-out clock will be held

1 = No matter what DBGACK is high or not, the UART receiver timer-out clock will not be held

MSIE [3]: MODEM Status Interrupt (Irpt_MOS) Enable

0 = Mask off Irpt_MOS

1 = Enable Irpt_MOS

RLSIE [2]: Receive Line Status Interrupt (Irpt_RLS) Enable

0 = Mask off Irpt_RLS

1 = Enable Irpt_RLS

THREIE [1]: Transmit Holding Register Empty Interrupt (Irpt_THRE) Enable

0 = Mask off Irpt_THRE

1 = Enable Irpt_THRE



RDAIE [0]: Receive Data Available Interrupt (**Irpt_RDA**) Enable and

Time-out Interrupt (**Irpt_TOUT**) Enable

0 = Mask off Irpt_RDA and Irpt_TOUT

1 = Enable Irpt_RDA and Irpt_TOUT

Divider Latch (Low Byte) Register (DLL)

| REGISTER | ADDRESS | R/W | DESCRIPTION | RESET VALUE |
|----------|--------------|-----|---|-------------|
| DLL | 0xFFFF8.0000 | R/W | Divisor Latch Register (LS) (DLAB = 1) | 0x0000.0000 |

| 7 | 6 | 5 | 4 | 3 | 2 | 1 | 0 |
|-------------------------------------|---|---|---|---|---|---|---|
| Baud Rate Divider (Low Byte) | | | | | | | |

Baud Rate Divisor (Low Byte) [7:0]

The low byte of the baud rate divider

Divisor Latch (High Byte) Register (DLM)

| REGISTER | ADDRESS | R/W | DESCRIPTION | RESET VALUE |
|----------|--------------|-----|---|-------------|
| DLM | 0xFFFF8.0004 | R/W | Divisor Latch Register (MS) (DLAB = 1) | 0x0000.0000 |

| 7 | 6 | 5 | 4 | 3 | 2 | 1 | 0 |
|--------------------------------------|---|---|---|---|---|---|---|
| Baud Rate Divider (High Byte) | | | | | | | |

Baud Rate Divisor (High Byte) [7:0]

The high byte of the baud rate divider

This 16-bit divider {DLM, DLL} is used to determine the baud rate as follows

$$\text{Baud Rate} = \text{Crystal Clock} / \{16 * [\text{Divisor} + 2]\}$$

Note: This definition is different from 16550



Interrupt Identification Register (IIR)

| REGISTER | ADDRESS | R/W | DESCRIPTION | RESET VALUE |
|----------|--------------|-----|-----------------------------------|-------------|
| IIR | 0xFFFF8.0008 | R | Interrupt Identification Register | 0x8181.8181 |

| 7 | 6 | 5 | 4 | 3 | 2 | 1 | 0 |
|------|-------|---|-----|-----|---|-----|---|
| FMES | RFTLS | | DMS | IID | | NIP | |

FMES [7]: FIFO Mode Enable Status

This bit indicates whether the FIFO mode is enabled or not. Since the FIFO mode is always enable, this bit always shows the logical 1 when CPU is reading this register.

RFTLS [6:5]: RX FIFO Threshold Level Status

These bits show the current setting of receiver FIFO threshold level (RTHO). The meaning of RTHO is defined in the following FCR description.

DMS [4]: DMA Mode Select

The DMA function is not implemented in this version. When reading IIR, the DMS is always returned 0.

IID [3:1]: Interrupt Identification

The IID together with NIP indicates the current interrupt request from UART.

NIP [0]: No Interrupt Pending

There is no pending interrupt.

Table 7.9.1 Interrupt Control Functions

| IIR [3:0] | PRIORITY | INTERRUPT TYPE | INTERRUPT SOURCE | INTERRUPT RESET CONTROL |
|-----------|----------|--|---|---|
| ---1 | -- | None | None | -- |
| 0110 | Highest | Receiver Line Status (Irpt_RLS) | Overrun error, parity error, framing error, or break interrupt | Reading the LSR |
| 0100 | Second | Received Data Available (Irpt_RDA) | Receiver FIFO threshold level is reached | Receiver FIFO drops below the threshold level |
| 1100 | Second | Receiver FIFO Time-out (Irpt_TOUT) | Receiver FIFO is non-empty and no activities are occurred in the receiver FIFO during the TOR defined time duration | Reading the RBR |
| 0010 | Third | Transmitter Holding Register Empty (Irpt_THRE) | Transmitter holding register empty | Reading the IIR (if source of interrupt is Irpt_THRE) or writing into the THR |
| 0000 | Fourth | MODEM Status (Irpt_MOS) | The CTS, DSR, or DCD bits are changing state or the RI bit is changing from high to low. | Reading the MSR |

Note: These definitions of bit 7, bit 6, bit 5, bit 4 are different from the 16550.



FIFO Control Register (FCR)

| REGISTER | ADDRESS | R/W | DESCRIPTION | RESET VALUE |
|----------|-------------|-----|-----------------------|-------------|
| FCR | 0xFFF8.0008 | W | FIFO Control Register | Undefined |

| 7 | 6 | 5 | 4 | 3 | 2 | 1 | 0 |
|-------|---|----------|---|-----|-----|-----|-----|
| RFITL | | RESERVED | | DMS | TFR | RFR | FME |

RFITL [7:6]: RX FIFO Interrupt (Irpt_RDA) Trigger Level

| RFITL [7:6] | IRPT_RDA TRIGGER LEVEL (BYTES) |
|-------------|--------------------------------|
| 00 | 01 |
| 01 | 04 |
| 10 | 08 |
| 11 | 14 |

DMS [3]: DMA Mode Select

The DMA function is not implemented in this version.

TFR [2]: TX FIFO Reset

Setting this bit will generate an OSC cycle reset pulse to reset TX FIFO. The TX FIFO becomes empty (TX pointer is reset to 0) after such reset. This bit is returned to 0 automatically after the reset pulse is generated.

RFR [1]: RX FIFO Reset

Setting this bit will generate an OSC cycle reset pulse to reset RX FIFO. The RX FIFO becomes empty (RX pointer is reset to 0) after such reset. This bit is returned to 0 automatically after the reset pulse is generated.

FME [0]: FIFO Mode Enable

Because UART is always operating in the FIFO mode, writing this bit has no effect while reading always gets logical one. This bit must be 1 when other FCR bits are written to; otherwise, they will not be programmed.



Line Control Register (LCR)

| REGISTER | ADDRESS | R/W | DESCRIPTION | RESET VALUE |
|----------|-------------|-----|-----------------------|-------------|
| LCR | 0xFFF8.000C | R/W | Line Control Register | 0x0000.0000 |

| 7 | 6 | 5 | 4 | 3 | 2 | 1 | 0 |
|-------------|------------|------------|------------|------------|------------|------------|---|
| DLAB | BCB | SPE | EPE | PBE | NSB | WLS | |

DLAB [7]: Divider Latch Access Bit

0 = It is used to access RBR, THR or IER.

1 = It is used to access Divisor Latch Registers {DLL, DLM}.

BCB [6]: Break Control Bit

When this bit is set to logic 1, the serial data output (SOUT) is forced to the Spacing State (logic 0). This bit acts only on SOUT and has no effect on the transmitter logic.

SPE [5]: Stick Parity Enable

0 = Disable stick parity

1 = Parity bit is transmitted and checked as a logic 1 if bit 4 is 0 (odd parity), or as a logic 0 if bit 4 is 1 (even parity). This bit has effect only when bit 3 (parity bit enable) is set.

EPE [4]: Even Parity Enable

0 = Odd number of logic 1's are transmitted or checked in the data word and parity bits.

1 = Even number of logic 1's are transmitted or checked in the data word and parity bits.

This bit has effect only when bit 3 (parity bit enable) is set.

PBE [3]: Parity Bit Enable

0 = Parity bit is not generated (transmit data) or checked (receive data) during transfer.

1 = Parity bit is generated or checked between the "last data word bit" and "stop bit" of the serial data.

NSB [2]: Number of "STOP bit"

0 = One "STOP bit" is generated in the transmitted data

1 = One and a half "STOP bit" is generated in the transmitted data when 5-bit word length is selected;

Two "STOP bit" is generated when 6-, 7- and 8-bit word length is selected.

W90N740CD/W90N740CDG



WLS [1:0]: Word Length Select

| WLS[1:0] | Character length |
|----------|------------------|
| 00 | 5 bits |
| 01 | 6 bits |
| 10 | 7 bits |
| 11 | 8 bits |

Modem Control Register (MCR)

| REGISTER | ADDRESS | R/W | DESCRIPTION | RESET VALUE |
|------------|-------------|-----|------------------------|-------------|
| MCR | 0xFFF8.0010 | R/W | Modem Control Register | 0x0000.0000 |

| 7 | 6 | 5 | 4 | 3 | 2 | 1 | 0 |
|----------|---|---|-------------|--------------|--------------|-------------|-------------|
| RESERVED | | | LBME | OUT2# | OUT1# | RTS# | DTR# |

LBME [4]: Loop-back Mode Enable

0 = Disable

1 = When the loop-back mode is enabled, the following signals are connected internally:

- SOUT connected to SIN and SOUT pin fixed at logic 1
- DTR# connected to DSR# and DTR# pin fixed at logic 1
- RTS# connected to CTS# and RTS# pin fixed at logic 1
- OUT1# connected to RI# and OUT1# pin fixed at logic 1
- OUT2# connected to DCD# and OUT2# pin fixed logic 1

OUT2#[3]: Complement version of OUT2# (user-designated output) signal

OUT1#[2]: Complement version of OUT1# (user-designated output) signal

RTS#[1]: Complement version of RTS# (Request-To-Send) signal

DTR#[0]: Complement version of DTR# (Data-Terminal-Ready) signal

Writing 0x00 to MCR, the DTR#, RTS#, nOUT1# and OUT2# bit are set to logic 1's;

Writing 0x0f to MCR, the DTR#, RTS#, nOUT1# and OUT2# bit are reset to logic 0's.



Line Status Control Register (LSR)

| Register | Address | R/W | Description | Reset Value |
|----------|-------------|-----|----------------------|-------------|
| LSR | 0xFFF8.0014 | R | Line Status Register | 0x6060.6060 |

| 7 | 6 | 5 | 4 | 3 | 2 | 1 | 0 |
|--------|----|------|-----|-----|-----|-----|------|
| ERR_RX | TE | THRE | BII | FEI | PEI | OEI | RFDR |

ERR_RX [7]: RX FIFO Error

0 = RX FIFO works normally

1 = There is at least one parity error (PE), framing error (FE), or break indication (BI) in the FIFO. ERR_RX is cleared when CPU reads the LSR and if there are no subsequent errors in the RX FIFO.

TE [6]: Transmitter Empty

0 = Either Transmitter Holding Register (**THR** - TX FIFO) or Transmitter Shift Register (**TSR**) are not empty.

1 = Both THR and TSR are empty.

THRE [5]: Transmitter Holding Register Empty

0 = THRE is not empty.

1 = THRE is empty.

THRE is set when the last data word of TX FIFO is transferred to Transmitter Shift Register (TSR). The CPU resets this bit when the THR (or TX FIFO) is loaded. This bit also causes the UART to issue an interrupt (Irpt_THRE) to the CPU when IER [1]=1.

BII [4]: Break Interrupt Indicator

This bit is set to a logic 1 whenever the received data input is held in the "spacing state" (logic 0) for longer than a full word transmission time (that is, the total time of "start bit" + data bits + parity + stop bits) and is reset whenever the CPU reads the contents of the LSR.

FEI [3]: Framing Error Indicator

This bit is set to logic 1 whenever the received character does not have a valid "stop bit" (that is, the stop bit following the last data bit or parity bit is detected as a logic 0), and is reset whenever the CPU reads the contents of the LSR.



PEI [2]: Parity Error Indicator

This bit is set to logic 1 whenever the received character does not have a valid "parity bit", and is reset whenever the CPU reads the contents of the LSR.

OEI [1]: Overrun Error Indicator

An overrun error will occur only after the RX FIFO is full and the next character has been completely received in the shift register. The character in the shift register is overwritten, but it is not transferred to the RX FIFO. OE is indicated to the CPU as soon as it happens and is reset whenever the CPU reads the contents of the LSR.

RFDR [0]: RX FIFO Data Ready

0 = RX FIFO is empty

1 = RX FIFO contains at least 1 received data word.

LSR [4:2] (BII, FEI, PEI) are revealed to the CPU when its associated character is at the top of the RX FIFO. These three error indicators are reset whenever the CPU reads the contents of the LSR.

LSR [4:1] (BII, FEI, PEI, OEI) are the error conditions that produce a "receiver line status interrupt" (Irpt_RLS) when IER [2]=1. Reading LSR clears Irpt_RLS. Writing LSR is a null operation (not suggested).

Modem Status Register (MSR)

| REGISTER | ADDRESS | R/W | DESCRIPTION | RESET VALUE |
|----------|-------------|-----|-----------------------|-------------|
| MSR | 0xFFF8.0018 | R | MODEM Status Register | 0x0000.0000 |

| 7 | 6 | 5 | 4 | 3 | 2 | 1 | 0 |
|------|-----|------|------|------|------|------|------|
| DCD# | RI# | DSR# | CTS# | DDCD | TERI | DDSR | DCTS |

DCD#[7]: Complement version of Data Carrier Detect (nDCD#) input

RI#[6]: Complement version of ring indicator (RI#) input

DSR#[5]: Complement version of data set ready (DSR#) input

CTS#[4]: Complement version of clear to send (CTS#) input

DDCD [3]: DCD# State Change

This bit is set whenever DCD# input has changed state, and it will be reset if the CPU reads the MSR.

TERI [2]: Tailing Edge of RI#

This bit is set whenever RI# input has changed from high to low, and it will be reset if the CPU reads the MSR.



DDSR [1]: DSR# State Change

This bit is set whenever DSR# input has changed state, and it will be reset if the CPU reads the MSR.

DCTS [0]: CTS# State Change

This bit is set whenever CTS# input has changed state, and it will be reset if the CPU reads the MSR.

Whenever any of MSR [3:0] is set to logic 1, a Modem Status Interrupt is generated if IER[3]=1. Writing MSR is a null operation (not suggested).

Time Out Register (TOR)

| REGISTER | ADDRESS | R/W | DESCRIPTION | RESET VALUE |
|----------|--------------|-----|-------------------|-------------|
| TOR | 0xFFFF8.001C | R/W | Time Out Register | 0x0000.0000 |

| 7 | 6 | 5 | 4 | 3 | 2 | 1 | 0 |
|------|------|---|---|---|---|---|---|
| TOIE | TOIC | | | | | | |

TOIE [7]: Time Out Interrupt Enable

The feature of receiver time out interrupt is enabled only when TOR [7] = IER[0] = 1.

TOIC [6:0]: Time Out Interrupt Comparator

The time out counter resets and starts counting (the counting clock = baud rate) whenever the RX FIFO receives a new data word. Once the content of time out counter (TOUT_CNT) is equal to that of time out interrupt comparator (TOIC), a receiver time out interrupt (Irpt_TOUT) is generated if TOR [7] = IER [0] = 1. A new incoming data word or RX FIFO empty clears Irpt_TOUT.



7.10 TIMER Controller

7.10.1 General Timer Controller

The timer module has two channels, TIMER0 and TIMER1, which allow you to easily implement a counting scheme for use. The timer can perform functions like frequency measurement, event counting, interval measurement, pulse generation, delay timing, and so on. The timer possesses features such as adjustable resolution, programmable counting period, and detailed information. The timer can generate an interrupt signal upon timeout, or provide the current value of count during operation.

The Features of the TIMER Controller :

- Two programmable 24-bit timers with 8-bit pre-scalar
- One programmable 24-bit Watch-Dog timer
- Independent clock source for each channel
- One-short mode, period mode or toggle mode operation
- Maximum uninterrupted time = $(1 / 15 \text{ MHz}) * (255) * (2^{24} - 1)$, if TCLK = 15 MHz

7.10.2 Watch Dog Timer

The purpose of watchdog timer is to perform a system restart after the software running into a problem. This prevents system from hanging for an indefinite period of time. It is a free running timer with programmable time-out intervals. When the specified time interval expires, a system reset can be generated. If the watchdog timer reset function is enabled and the watchdog timer is not being reset before timing out, then the watchdog rest is activated after 512 WDT clocks. Setting WTE in the register WTCR enables the watchdog timer.

The WTR should be set before making use of watchdog timer. This ensures that the watchdog timer restarts from a know state. The watchdog timer will start counting and time-out after a specified period of time. The time-out interval is selected by two bits, WTIS1 and WTIS0. The WTR is self-clearing, i.e., after setting it, the hardware will automatically reset it. When time-out occurs, the watchdog timer interrupt flag is set. The watchdog timer waits for an additional 512 clocks before issuing a reset signal, if the WTRE is set. The reset signal will last for two clocks long and the WTRF will be set. When used as a simple timer, the interrupt and reset functions are disabled. The watchdog timer will set the WTIF each time a time-out occurs. The WTIF can be polled to check the status, and software can restart the timer by setting the WTR.



7.10.3 Timer Control Registers Map

R: read only, W: write only, R/W: both read and write, C: Only value 0 can be written

| REGISTER | ADDRESS | R/W/C | DESCRIPTION | RESET VALUE |
|----------|-------------|-------|----------------------------------|-------------|
| TCR0 | 0xFFF8.1000 | R/W | Timer Control Register 0 | 0x0000.0005 |
| TCR1 | 0xFFF8.1004 | R/W | Timer Control Register 1 | 0x0000.0005 |
| TICR0 | 0xFFF8.1008 | R/W | Timer Initial Control Register 0 | 0x0000.00FF |
| TICR1 | 0xFFF8.100C | R/W | Timer Initial Control Register 1 | 0x0000.00FF |
| TDR0 | 0xFFF8.1010 | R | Timer Data Register 0 | 0x0000.00FF |
| TDR1 | 0xFFF8.1014 | R | Timer Data Register 1 | 0x0000.00FF |
| TISR | 0xFFF8.1018 | R/C | Timer Interrupt Status Register | 0x0000.0000 |
| WTCR | 0xFFF8.101C | R/W | Watchdog Timer Control Register | 0x0000.0000 |

Timer Control Register 0 (TCR0)

Timer Control Register 1 (TCR1)

| REGISTER | ADDRESS | R/W/C | DESCRIPTION | RESET VALUE |
|----------|-------------|-------|--------------------------|-------------|
| TCR0 | 0xFFF8.1000 | R/W | Timer Control Register 0 | 0x0000.0005 |
| TCR1 | 0xFFF8.1004 | R/W | Timer Control Register 1 | 0x0000.0005 |

| | | | | | | | |
|------------|----|----|------|----|----------|----|----|
| 31 | 30 | 29 | 28 | 27 | 26 | 25 | 24 |
| nDBGACK_EN | CE | IE | MODE | | RESERVED | | |
| 23 | 22 | 21 | 20 | 19 | 18 | 17 | 16 |
| RESERVED | | | | | | | |
| 15 | 14 | 13 | 12 | 11 | 10 | 9 | 8 |
| RESERVED | | | | | | | |
| 7 | 6 | 5 | 4 | 3 | 2 | 1 | 0 |
| PRESCALE | | | | | | | |

nDBGACK_EN [31]: ICE debug mode acknowledge enable

0 = When DBGACK is high, the timer clock will be held

1 = No matter what DBGACK is high or not, the timer clock will not be held

CE [30]: Counter Enable

0 = Stops counting

1 = Starts counting

IE [29]: Interrupt Enable

0 = Disables timer interrupt

1 = Enables timer interrupt. If timer interrupt is enabled, the timer asserts its interrupt signal when the associated counter decrements to zero.



MODE [28:27]: Timer Operating Mode

| MODE [28:27] | TIMER OPERATING MODE |
|--------------|---|
| 00 | The timer is operating in the one-shot mode. The associated interrupt signal is generated once (if IE is enabled) and CE is automatically cleared then. |
| 01 | The timer is operating in the periodic mode. The associated interrupt signal is generated periodically (if IE is enabled). |
| 10 | The timer is operating in the toggle mode. The associated interrupt signal is changing back and forth (if IE is enabled) with 50% duty cycle. |
| 11 | Reserved for further use |

PRESCALE [7:0]

Clock input is divided by PRESCALE + 1 before it is fed to the counter (here PRESCALE is considered as a decimal number). If PRESCALE = 0, then there is no scaling.

Timer Initial Count Register 0 (TICR0)

Timer Initial Count Register 1 (TICR1)

| REGISTER | ADDRESS | R/W/C | DESCRIPTION | RESET VALUE |
|----------|-------------|-------|----------------------------------|-------------|
| TICR0 | 0xFFF8.1008 | R/W | Timer Initial Control Register 0 | 0x0000.00FF |
| TICR1 | 0xFFF8.100C | R/W | Timer Initial Control Register 1 | 0x0000.00FF |

| | | | | | | | |
|-------------|----|----|----|----|----|----|----|
| 31 | 30 | 29 | 28 | 27 | 26 | 25 | 24 |
| RESERVED | | | | | | | |
| 23 | 22 | 21 | 20 | 19 | 18 | 17 | 16 |
| TIC [23:16] | | | | | | | |
| 15 | 14 | 13 | 12 | 11 | 10 | 9 | 8 |
| TIC [15:8] | | | | | | | |
| 7 | 6 | 5 | 4 | 3 | 2 | 1 | 0 |
| TIC [7:0] | | | | | | | |

TIC [23:0]: Timer Initial Count

This is a 24-bit value representing the initial count. Timer will reload this value whenever the counter is decremented to zero.

W90N740CD/W90N740CDG



Timer Data Register 0 (TDR0)

Timer Data Register 1 (TDR1)

| REGISTER | ADDRESS | R/W/C | DESCRIPTION | RESET VALUE |
|----------|-------------|-------|-----------------------|-------------|
| TDR0 | 0xFFF8.1010 | R | Timer Data Register 0 | 0x0000.00FF |
| TDR1 | 0xFFF8.1014 | R | Timer Data Register 1 | 0x0000.00FF |

| | | | | | | | |
|-------------|----|----|----|----|----|----|----|
| 31 | 30 | 29 | 28 | 27 | 26 | 25 | 24 |
| RESERVED | | | | | | | |
| 23 | 22 | 21 | 20 | 19 | 18 | 17 | 16 |
| TDR [23:16] | | | | | | | |
| 15 | 14 | 13 | 12 | 11 | 10 | 9 | 8 |
| TDR [15:8] | | | | | | | |
| 7 | 6 | 5 | 4 | 3 | 2 | 1 | 0 |
| TDR [7:0] | | | | | | | |

TDR [23:0]: Timer Data Register

The current count is registered in this 24-bit value.

Timer Interrupt Status Register (TISR)

| REGISTER | ADDRESS | R/W/C | DESCRIPTION | RESET VALUE |
|----------|-------------|-------|---------------------------------|-------------|
| TISR | 0xFFF8.1018 | R/C | Timer Interrupt Status Register | 0x0000.0000 |

| | | | | | | | |
|----------|----|----|----|----|----|------|------|
| 31 | 30 | 29 | 28 | 27 | 26 | 25 | 24 |
| RESERVED | | | | | | | |
| 23 | 22 | 21 | 20 | 19 | 18 | 17 | 16 |
| RESERVED | | | | | | | |
| 15 | 14 | 13 | 12 | 11 | 10 | 9 | 8 |
| RESERVED | | | | | | | |
| 7 | 6 | 5 | 4 | 3 | 2 | 1 | 0 |
| RESERVED | | | | | | TIF1 | TIF0 |



TIF1 [1]: Timer Interrupt Flag 1

It indicates the interrupt status of the timer 1.

0 = It indicates that the timer 1 does not count down to zero yet. Software can reset this bit after the timer interrupt 1 had occurred.

1 = It indicates that the counter of timer 1 is decremented to zero; the timer interrupt 1 is generated if it was enabled.

TIF1 [0]: Timer Interrupt Flag 0

It indicates the interrupt status of the timer 0.

0 = It indicates that the timer 0 does not count down to zero yet. Software can reset this bit after the timer interrupt 0 had occurred.

1 = It indicates that the counter of timer 0 is decremented to zero; the timer interrupt 0 is generated if it was enabled.

Watchdog Timer Control Register (WTCR)

| REGISTER | ADDRESS | R/W/C | DESCRIPTION | RESET VALUE |
|----------|-------------|-------|---------------------------------|-------------|
| WTCR | 0xFFF8.101C | R/W | Watchdog Timer Control Register | 0x0000.0000 |

| | | | | | | | |
|----------|------|------|----|------|------|------------|----------|
| 31 | 30 | 29 | 28 | 27 | 26 | 25 | 24 |
| RESERVED | | | | | | | |
| 23 | 22 | 21 | 20 | 19 | 18 | 17 | 16 |
| RESERVED | | | | | | | |
| 15 | 14 | 13 | 12 | 11 | 10 | 9 | 8 |
| RESERVED | | | | | | nDBGACK_EN | RESERVED |
| 7 | 6 | 5 | 4 | 3 | 2 | 1 | 0 |
| WTE | WTIE | WTIS | | WTIF | WTRF | WTRE | WTR |

nDBGACK_EN [9]: ICE debug mode acknowledge enable

0 = When DBGACK is high, the timer clock will be held

1 = No matter what DBGACK is high or not, the timer clock will not be held

RESERVED [8]:

0 = Put the watchdog time in the normal operating mode



WTE [7]: Watchdog Timer Enable

0 = Disable the watchdog timer

1 = Enable the watchdog timer

WTIE [6]: Watchdog Timer Interrupt Enable

0 = Disable the watchdog timer interrupt

1 = Enable the watchdog timer interrupt

WTIS [5:4]: Watchdog Timer Interval Select

These two bits select the interval for the watchdog timer. No matter which interval is chosen, the reset time-out is always occurred 512 clocks later than the interrupt time-out.

| WTIS [5:4] | INTERRUPT TIME-OUT | RESET TIME-OUT |
|------------|--------------------|-----------------------|
| 00 | 2^{21} clocks | $2^{21} + 512$ clocks |
| 01 | 2^{22} clocks | $2^{22} + 512$ clocks |
| 10 | 2^{23} clocks | $2^{23} + 512$ clocks |
| 11 | 2^{24} clocks | $2^{24} + 512$ clocks |

WTIF [3]: Watchdog Timer Interrupt Flag

If the watchdog interrupt is enabled, then the hardware will set this bit to indicate that the watchdog interrupt has occurred. If the watchdog interrupt is not enabled, then this bit indicates that a time-out period has elapsed.

0 = Watchdog timer interrupt does not occur

1 = Watchdog timer interrupt occurs

WTRF [2]: Watchdog Timer Reset Flag

When the watchdog timer initiates a reset, the hardware will set this bit. This flag can be read by software to determine the source of reset. Software is responsible to clear it up manually. If **WTRE** is disabled, then the watchdog timer has no effect on this bit.

0 = Watchdog timer reset does not occur

1 = Watchdog timer reset occurs

WTRE [1]: Watchdog Timer Reset Enable

Setting this bit will enable the watchdog timer reset function.

0 = Disable watchdog timer reset function

1 = Enable watchdog timer reset function



WTR [0]: Watchdog Timer Reset

This bit brings the watchdog timer into a known state. It helps reset the watchdog timer before a time-out situation occurring. Failing to set **WTR** before time-out will initiate an interrupt if **WTIE** is set. If **WTRE** is set, a watchdog timer reset will occur 512 clocks after time-out. This bit is self-clearing.

1 = Reset the contents of the watchdog timer

0 = Do not reset the contents of the watchdog timer

7.11 Advanced Interrupt Controller (AIC)

An interrupt temporarily changes the sequence of program execution to react to a particular event such as power failure, watchdog timer timeout, transmit/receive request from Ethernet MAC Controller, and so on. The ARM7TDMI processor provides two modes of interrupt, the **Fast Interrupt (FIQ)** mode for critical session and the **Interrupt (IRQ)** mode for general purpose. The IRQ exception is occurred when the nIRQ input is asserted. Similarly, the FIQ exception is occurred when the nFIQ input is asserted. The FIQ has privilege over the IRQ and can preempt an ongoing IRQ. It is possible to ignore the FIQ and the IRQ by setting the F and I bits in the **current program status register (CPSR)**.

The W90N740 incorporates the **advanced interrupt controller (AIC)** that is capable of dealing with the interrupt requests from a total of 32 different sources. Currently, only 18 interrupt sources are defined. Each interrupt source is uniquely assigned to an interrupt channel. For example, the watchdog timer interrupt is assigned to channel 1 and the general-purpose direct-access memory access (GDMA) interrupt 0 to channel 17. The AIC implements a proprietary eight-level priority scheme that differentiates the available 18 interrupt sources into eight priority levels. Interrupt sources within the priority level 0 have the highest priority and the priority level 7 has the lowest. To work this scheme properly, you must specify a certain priority level to each interrupt source during power-on initialization; otherwise, the system shall behave unexpectedly. Within each priority level, interrupt source that is positioned in a lower channel has a higher priority. Interrupt source that is active, enabled, and positioned in the lowest channel within the priority level 0 is promoted to the FIQ. Interrupt sources within the priority levels other than 0 can petition for the IRQ. The IRQ can be preempted by the occurrence of the FIQ. Interrupt nesting is performed automatically by the AIC.

Though interrupt sources originated from the W90N740 itself are intrinsically high-level sensitive, the AIC can be configured as either low-level sensitive, high-level sensitive, negative-edge triggered, or positive-edge triggered to each interrupt source.

The Features of the AIC (advanced interrupt controller):

- 18 interrupt sources, including 4 external interrupt sources
- Programmable normal or fast interrupt mode (IRQ, FIQ)
- Programmable as either edge-triggered or level-sensitive for 4 external interrupt sources
- Programmable as either low-active or high-active for 4 external interrupt sources
- Priority methodology is encoded to allow for interrupt daisy-chaining
- Automatically mask out the lower priority interrupt during interrupt nesting
- Automatically clear the interrupt flag when the interrupt source is programmed to be edge-triggered



7.11.1 Interrupt Sources

The table as shown below lists all the interrupt sources originated from internal peripherals and external devices. Please be careful that interrupt channel 0 and all that beyond 18 are undefined in this implementation.

Table 7.11.1 W90N740 Interrupt Sources

| CHANNEL | NAME | PRIORITY | MODE | SOURCE |
|---------|-----------|----------------|----------------|---------------------------|
| | | HIGHEST | | |
| 1 | WDTINT | | Positive Level | Watch Dog Timer Interrupt |
| 2 | nIRQ0 | | Programmable | External Interrupt 0 |
| 3 | nIRQ1 | | Programmable | External Interrupt 1 |
| 4 | nIRQ2 | | Programmable | External Interrupt 2 |
| 5 | nIRQ3 | | Programmable | External Interrupt 3 |
| 6 | UARTINT | | Positive Level | UART Interrupt |
| 7 | TINT0 | | Positive Level | Timer Interrupt 0 |
| 8 | TINT1 | | Positive Level | Timer Interrupt 1 |
| 9 | USBINT0 | | Positive Level | USB Interrupt 0 |
| 10 | USBINT1 | | Positive Level | USB Interrupt 1 |
| 11 | Reserved | | Reserved | Reserved |
| 12 | Reserved | | Reserved | Reserved |
| 13 | EMCTXINT0 | | Positive Level | EMC TX Interrupt 0 |
| 14 | EMCTXINT1 | | Positive Level | EMC TX Interrupt 1 |
| 15 | EMCRXINT0 | | Positive Level | EMC RX Interrupt 0 |
| 16 | EMCRXINT1 | | Positive Level | EMC RX Interrupt 1 |
| 17 | GDMAINT0 | | Positive Level | GDMA Channel Interrupt 0 |
| 18 | GDMAINT1 | | Positive Level | GDMA Channel Interrupt 1 |
| 19 ~ 31 | - | Lowest | - | Reserved for further use |



7.11.2 AIC Registers Map

| REGISTER | ADDRESS | R/W | DESCRIPTION | RESET VALUE |
|-----------|-------------|-----|--------------------------------------|-------------|
| AIC_SCR1 | 0xFFF8.2004 | R/W | Source Control Register 1 | 0x0000.0047 |
| AIC_SCR2 | 0xFFF8.2008 | R/W | Source Control Register 2 | 0x0000.0047 |
| AIC_SCR3 | 0xFFF8.200C | R/W | Source Control Register 3 | 0x0000.0047 |
| AIC_SCR4 | 0xFFF8.2010 | R/W | Source Control Register 4 | 0x0000.0047 |
| AIC_SCR5 | 0xFFF8.2014 | R/W | Source Control Register 5 | 0x0000.0047 |
| AIC_SCR6 | 0xFFF8.2018 | R/W | Source Control Register 6 | 0x0000.0047 |
| AIC_SCR7 | 0xFFF8.201C | R/W | Source Control Register 7 | 0x0000.0047 |
| AIC_SCR8 | 0xFFF8.2020 | R/W | Source Control Register 8 | 0x0000.0047 |
| AIC_SCR9 | 0xFFF8.2024 | R/W | Source Control Register 9 | 0x0000.0047 |
| AIC_SCR10 | 0xFFF8.2028 | R/W | Source Control Register 10 | 0x0000.0047 |
| AIC_SCR11 | 0xFFF8.202C | R/W | Source Control Register 11 | 0x0000.0047 |
| AIC_SCR12 | 0xFFF8.2030 | R/W | Source Control Register 12 | 0x0000.0047 |
| AIC_SCR13 | 0xFFF8.2034 | R/W | Source Control Register 13 | 0x0000.0047 |
| AIC_SCR14 | 0xFFF8.2038 | R/W | Source Control Register 14 | 0x0000.0047 |
| AIC_SCR15 | 0xFFF8.203C | R/W | Source Control Register 15 | 0x0000.0047 |
| AIC_SCR16 | 0xFFF8.2040 | R/W | Source Control Register 16 | 0x0000.0000 |
| AIC_SCR17 | 0xFFF8.2044 | R/W | Source Control Register 17 | 0x0000.0000 |
| AIC_SCR18 | 0xFFF8.2048 | R/W | Source Control Register 18 | 0x0000.0000 |
| AIC_IRSR | 0xFFF8.2100 | R | Interrupt Raw Status Register | 0x0000.0000 |
| AIC_IASR | 0xFFF8.2104 | R | Interrupt Active Status Register | 0x0000.0000 |
| AIC_ISR | 0xFFF8.2108 | R | Interrupt Status Register | 0x0000.0000 |
| AIC_IPER | 0xFFF8.210C | R | Interrupt Priority Encoding Register | 0x0000.0000 |
| AIC_ISNR | 0xFFF8.2110 | R | Interrupt Source Number Register | 0x0000.0000 |
| AIC_IMR | 0xFFF8.2114 | R | Interrupt Mask Register | 0x0000.0000 |
| AIC_OISR | 0xFFF8.2118 | R | Output Interrupt Status Register | 0x0000.0000 |
| AIC_MECR | 0xFFF8.2120 | W | Mask Enable Command Register | Undefined |
| AIC_MDCR | 0xFFF8.2124 | W | Mask Disable Command Register | Undefined |
| AIC_SSCR | 0xFFF8.2128 | W | Source Set Command Register | Undefined |
| AIC_SCCR | 0xFFF8.212C | W | Source Clear Command Register | Undefined |
| AIC_EOSCR | 0xFFF8.2130 | W | End of Service Command Register | Undefined |

W90N740CD/W90N740CDG



AIC Source Control Registers (AIC_SCR1 ~ AIC_SCR18)

| REGISTER | ADDRESS | R/W | DESCRIPTION | RESET VALUE |
|-----------|--------------|-----|----------------------------|-------------|
| AIC_SCR1 | 0xFFFF8.2004 | R/W | Source Control Register 1 | 0x0000.0047 |
| AIC_SCR2 | 0xFFFF8.2008 | R/W | Source Control Register 2 | 0x0000.0047 |
| ... | ... | ... | ... | ... |
| AIC_SCR17 | 0xFFFF8.2044 | R/W | Source Control Register 17 | 0x0000.0047 |
| AIC_SCR18 | 0xFFFF8.2048 | R/W | Source Control Register 18 | 0x0000.0047 |

| | | | | | | | |
|----------|----|----------|----|----|----------|----|----|
| 31 | 30 | 29 | 28 | 27 | 26 | 25 | 24 |
| RESERVED | | | | | | | |
| 23 | 22 | 21 | 20 | 19 | 18 | 17 | 16 |
| RESERVED | | | | | | | |
| 15 | 14 | 13 | 12 | 11 | 10 | 9 | 8 |
| RESERVED | | | | | | | |
| 7 | 6 | 5 | 4 | 3 | 2 | 1 | 0 |
| SRCTYPE | | RESERVED | | | PRIORITY | | |

SRCTYPE[7:6]: Interrupt Source Type

Whether an interrupt source is considered active or not by the AIC is subject to the settings of this field.

| SRCTYPE [7:6] | | Interrupt Source Type |
|---------------|---|-------------------------|
| 0 | 0 | Low-level Sensitive |
| 0 | 1 | High-level Sensitive |
| 1 | 0 | Negative-edge Triggered |
| 1 | 1 | Positive-edge Triggered |

PRIORITY [2:0]: Priority Level

Every interrupt source must be assigned a priority level during initiation. Among them, priority level 0 has the highest priority and priority level 7 the lowest. Interrupt sources with priority level 0 are promoted to FIQ. Interrupt sources with priority level other than 0 belong to IRQ. For interrupt sources of the same priority level, that located in the lower channel number has higher priority.



AIC Interrupt Raw Status Register (AIC_IRSR)

| REGISTER | ADDRESS | R/W | DESCRIPTION | RESET VALUE |
|----------|-------------|-----|-------------------------------|-------------|
| AIC_IRSR | 0xFFF8.2100 | R | Interrupt Raw Status Register | 0x0000.0000 |

| 31 | 30 | 29 | 28 | 27 | 26 | 25 | 24 |
|----------|-------|-------|-------|-------|-------|-------|----------|
| RESERVED | | | | | | | |
| 23 | 22 | 21 | 20 | 19 | 18 | 17 | 16 |
| RESERVED | | | | | IRS18 | IRS17 | IRS16 |
| 15 | 14 | 13 | 12 | 11 | 10 | 9 | 8 |
| IRS15 | IRS14 | IRS13 | IRS12 | IRS11 | IRS10 | IRS9 | IRS8 |
| 7 | 6 | 5 | 4 | 3 | 2 | 1 | 0 |
| IRS7 | IRS6 | IRS5 | IRS4 | IRS3 | IRS2 | IRS1 | RESERVED |

This register records the intrinsic state within each interrupt channel.

IRSx: Interrupt Status

Indicate the intrinsic status of the corresponding interrupt source

0 = Interrupt channel is in the voltage level 0

1 = Interrupt channel is in the voltage level 1

AIC Interrupt Active Status Register (AIC_IASR)

| REGISTER | ADDRESS | R/W | DESCRIPTION | RESET VALUE |
|----------|-------------|-----|----------------------------------|-------------|
| AIC_IASR | 0xFFF8.2104 | R | Interrupt Active Status Register | 0x0000.0000 |

| 31 | 30 | 29 | 28 | 27 | 26 | 25 | 24 |
|----------|-------|-------|-------|-------|-------|-------|----------|
| RESERVED | | | | | | | |
| 23 | 22 | 21 | 20 | 19 | 18 | 17 | 16 |
| RESERVED | | | | | IAS18 | IAS17 | IAS16 |
| 15 | 14 | 13 | 12 | 11 | 10 | 9 | 8 |
| IAS15 | IAS14 | IAS13 | IAS12 | IAS11 | IAS10 | IAS9 | IAS8 |
| 7 | 6 | 5 | 4 | 3 | 2 | 1 | 0 |
| IAS7 | IAS6 | IAS5 | IAS4 | IAS3 | IAS2 | IAS1 | RESERVED |

This register indicates the status of each interrupt channel in consideration of the interrupt source type as defined in the corresponding Source Control Register, but regardless of its mask setting.



IASx: Interrupt Active Status

Indicate the status of the corresponding interrupt source

0 = Corresponding interrupt channel is inactive

1 = Corresponding interrupt channel is active

AIC Interrupt Status Register (AIC_ISR)

| REGISTER | ADDRESS | R/W | DESCRIPTION | RESET VALUE |
|----------|-------------|-----|---------------------------|-------------|
| AIC_ISR | 0xFFF8.2108 | R | Interrupt Status Register | 0x0000.0000 |

| | | | | | | | |
|----------|------|------|------|------|------|------|----------|
| 31 | 30 | 29 | 28 | 27 | 26 | 25 | 24 |
| RESERVED | | | | | | | |
| 23 | 22 | 21 | 20 | 19 | 18 | 17 | 16 |
| RESERVED | | | | | IS18 | IS17 | IS16 |
| 15 | 14 | 13 | 12 | 11 | 10 | 9 | 8 |
| IS15 | IS14 | IS13 | IS12 | IS11 | IS10 | IS9 | IS8 |
| 7 | 6 | 5 | 4 | 3 | 2 | 1 | 0 |
| IS7 | IS6 | IS5 | IS4 | IS3 | IS2 | IS1 | RESERVED |

This register identifies those interrupt channels whose are both active and enabled.

ISx: Interrupt Status

Indicates the status of corresponding interrupt channel

0 = Two possibilities:

- (1) The corresponding interrupt channel is inactive no matter whether it is enabled or disabled;
- (2) It is active but not enabled

1 = Corresponding interrupt channel is both active and enabled (can assert an interrupt)



AIC IRQ Priority Encoding Register (AIC_IPER)

| REGISTER | ADDRESS | R/W | DESCRIPTION | RESET VALUE |
|----------|-------------|-----|--------------------------------------|-------------|
| AIC_IPER | 0xFFF8.210C | R | Interrupt Priority Encoding Register | 0x0000.0000 |

| | | | | | | | |
|----------|--------|----|----|----|----|----|----|
| 31 | 30 | 29 | 28 | 27 | 26 | 25 | 24 |
| 0 | 0 | 0 | 0 | 0 | 0 | 0 | 0 |
| 23 | 22 | 21 | 20 | 19 | 18 | 17 | 16 |
| 0 | 0 | 0 | 0 | 0 | 0 | 0 | 0 |
| 15 | 14 | 13 | 12 | 11 | 10 | 9 | 8 |
| 0 | 0 | 0 | 0 | 0 | 0 | 0 | 0 |
| 7 | 6 | 5 | 4 | 3 | 2 | 1 | 0 |
| RESERVED | VECTOR | | | | | 0 | 0 |

When the AIC generates the interrupt, **VECTOR** represents the interrupt channel number that is active, enabled, and has the highest priority. If the representing interrupt channel possesses a priority level 0, then the interrupt asserted is FIQ; otherwise, it is IRQ. The value of **VECTOR** is copied to the register AIC_ISNR thereafter by the AIC. *This register was restored a value 0 after it was read by the interrupt handler.* This register can help indexing into a branch table to quickly jump to the corresponding interrupt service routine.

VECTOR [6:2]: Interrupt Vector

0 = no interrupt occurs

1 ~ 31 = representing the interrupt channel that is active, enabled, and having the highest priority



AIC Interrupt Source Number Register (AIC_ISNR)

| REGISTER | ADDRESS | R/W | DESCRIPTION | RESET VALUE |
|----------|--------------|-----|----------------------------------|-------------|
| AIC_ISNR | 0xFFFF8.2110 | R | Interrupt Source Number Register | 0x0000.0000 |

| | | | | | | | | |
|----|----|----|-------|----|----|----|----|--|
| 31 | 30 | 29 | 28 | 27 | 26 | 25 | 24 | |
| 0 | 0 | 0 | 0 | 0 | 0 | 0 | 0 | |
| 23 | 22 | 21 | 20 | 19 | 18 | 17 | 16 | |
| 0 | 0 | 0 | 0 | 0 | 0 | 0 | 0 | |
| 15 | 14 | 13 | 12 | 11 | 10 | 9 | 8 | |
| 0 | 0 | 0 | 0 | 0 | 0 | 0 | 0 | |
| 7 | 6 | 5 | 4 | 3 | 2 | 1 | 0 | |
| 0 | 0 | 0 | IRQID | | | | | |

The purpose of this register is to record the interrupt channel number that is active, enabled, and has the highest priority.

IRQID [4:0]: IRQ Identification

Stands for the interrupt channel number

AIC Interrupt Mask Register (AIC_IMR)

| REGISTER | ADDRESS | R/W | DESCRIPTION | RESET VALUE |
|----------|--------------|-----|-------------------------|-------------|
| AIC_IMR | 0xFFFF8.2114 | R | Interrupt Mask Register | 0x0000.0000 |

| | | | | | | | |
|----------|------|------|------|------|------|------|----------|
| 31 | 30 | 29 | 28 | 27 | 26 | 25 | 24 |
| RESERVED | | | | | | | |
| 23 | 22 | 21 | 20 | 19 | 18 | 17 | 16 |
| RESERVED | | | | | IM18 | IM17 | IM16 |
| 15 | 14 | 13 | 12 | 11 | 10 | 9 | 8 |
| IM15 | IM14 | IM13 | IM12 | IM11 | IM10 | IM9 | IM8 |
| 7 | 6 | 5 | 4 | 3 | 2 | 1 | 0 |
| IM7 | IM6 | IM5 | IM4 | IM3 | IM2 | IM1 | RESERVED |

IMx: Interrupt Mask

This bit determines whether the corresponding interrupt channel is enabled or disabled. Every interrupt channel can be active no matter whether it is enabled or disabled. If an interrupt channel is enabled, it does not definitely mean it is active. Every interrupt channel can be authorized by the AIC only when it is both active and enabled.



0 = Corresponding interrupt channel is disabled

1 = Corresponding interrupt channel is enabled

AIC Output Interrupt Status Register (AIC_OISR)

| REGISTER | ADDRESS | R/W | DESCRIPTION | RESET VALUE |
|----------|-------------|-----|----------------------------------|-------------|
| AIC_OISR | 0xFFF8.2118 | R | Output Interrupt Status Register | 0x0000.0000 |

| | | | | | | | |
|----------|----|----|----|----|----|-----|-----|
| 31 | 30 | 29 | 28 | 27 | 26 | 25 | 24 |
| RESERVED | | | | | | | |
| 23 | 22 | 21 | 20 | 19 | 18 | 17 | 16 |
| RESERVED | | | | | | | |
| 15 | 14 | 13 | 12 | 11 | 10 | 9 | 8 |
| RESERVED | | | | | | | |
| 7 | 6 | 5 | 4 | 3 | 2 | 1 | 0 |
| RESERVED | | | | | | IRQ | FIQ |

The AIC classifies the interrupt into FIQ and IRQ. This register indicates whether the asserted interrupt is FIQ or IRQ. If both IRQ and FIQ are equal to 0, it means there is no interrupt occurred.

IRQ [1]: Interrupt Request

0 = nIRQ line is inactive.

1 = nIRQ line is active.

FIQ [0]: Fast Interrupt Request

0 = nFIQ line is inactive.

1 = nFIQ line is active

W90N740CD/W90N740CDG



AIC Mask Enable Command Register (AIC_MECR)

| REGISTER | ADDRESS | R/W | DESCRIPTION | RESET VALUE |
|----------|-------------|-----|------------------------------|-------------|
| AIC_MECR | 0xFFF8.2120 | W | Mask Enable Command Register | Undefined |

| 31 | 30 | 29 | 28 | 27 | 26 | 25 | 24 |
|----------|-------|-------|-------|-------|-------|-------|----------|
| RESERVED | | | | | | | |
| 23 | 22 | 21 | 20 | 19 | 18 | 17 | 16 |
| RESERVED | | | | | MEC18 | MEC17 | MEC16 |
| 15 | 14 | 13 | 12 | 11 | 10 | 9 | 8 |
| MEC15 | MEC14 | MEC13 | MEC12 | MEC11 | MEC10 | MEC9 | MEC8 |
| 7 | 6 | 5 | 4 | 3 | 2 | 1 | 0 |
| MEC7 | MEC6 | MEC5 | MEC4 | MEC3 | MEC2 | MEC1 | RESERVED |

MECx: Mask Enable Command

0 = No effect

1 = Enables the corresponding interrupt channel

AIC Mask Disable Command Register (AIC_MDCR)

| REGISTER | ADDRESS | R/W | DESCRIPTION | RESET VALUE |
|----------|-------------|-----|-------------------------------|-------------|
| AIC_MDCR | 0xFFF8.2124 | W | Mask Disable Command Register | Undefined |

| 31 | 30 | 29 | 28 | 27 | 26 | 25 | 24 |
|----------|-------|-------|-------|-------|-------|-------|----------|
| RESERVED | | | | | | | |
| 23 | 22 | 21 | 20 | 19 | 18 | 17 | 16 |
| RESERVED | | | | | MDC18 | MDC17 | MDC16 |
| 15 | 14 | 13 | 12 | 11 | 10 | 9 | 8 |
| MDC15 | MDC14 | MDC13 | MDC12 | MDC11 | MDC10 | MDC9 | MDC8 |
| 7 | 6 | 5 | 4 | 3 | 2 | 1 | 0 |
| MDC7 | MDC6 | MDC5 | MDC4 | MDC3 | MDC2 | MDC1 | RESERVED |

MDCx: Mask Disable Command

0 = No effect

1 = Disables the corresponding interrupt channel



AIC Source Set Command Register (AIC_SSCR)

| REGISTER | ADDRESS | R/W | DESCRIPTION | RESET VALUE |
|----------|--------------|-----|-----------------------------|-------------|
| AIC_SSCR | 0xFFFF8.2128 | W | Source Set Command Register | Undefined |

| 31 | 30 | 29 | 28 | 27 | 26 | 25 | 24 |
|----------|-------|-------|-------|-------|-------|-------|----------|
| RESERVED | | | | | | | |
| 23 | 22 | 21 | 20 | 19 | 18 | 17 | 16 |
| RESERVED | | | | | SSC18 | SSC17 | SSC16 |
| 15 | 14 | 13 | 12 | 11 | 10 | 9 | 8 |
| SSC15 | SSC14 | SSC13 | SSC12 | SSC11 | SSC10 | SSC9 | SSC8 |
| 7 | 6 | 5 | 4 | 3 | 2 | 1 | 0 |
| SSC7 | SSC7 | SSC6 | SSC4 | SSC3 | SSC2 | SSC1 | RESERVED |

When the W90N740 is under debugging or verification, software can activate any interrupt channel by setting the corresponding bit in this register. This feature is useful in hardware verification or software debugging.

SSCx: Source Set Command

0 = No effect.

1 = Activates the corresponding interrupt channel

AIC Source Clear Command Register (AIC_SCCR)

| REGISTER | ADDRESS | R/W | DESCRIPTION | RESET VALUE |
|----------|--------------|-----|-------------------------------|-------------|
| AIC_SCCR | 0xFFFF8.212C | W | Source Clear Command Register | Undefined |

| 31 | 30 | 29 | 28 | 27 | 26 | 25 | 24 |
|----------|-------|-------|-------|-------|-------|-------|----------|
| RESERVED | | | | | | | |
| 23 | 22 | 21 | 20 | 19 | 18 | 17 | 16 |
| RESERVED | | | | | SCC18 | SCC17 | SCC16 |
| 15 | 14 | 13 | 12 | 11 | 10 | 9 | 8 |
| SCC15 | SCC14 | SCC13 | SCC12 | SCC11 | SCC10 | SCC9 | SCC8 |
| 7 | 6 | 5 | 4 | 3 | 2 | 1 | 0 |
| SCC7 | SCC7 | SCC6 | SCC4 | SCC3 | SCC2 | SCC1 | RESERVED |

W90N740CD/W90N740CDG



When the W90N740 is under debugging or verification, software can deactivate any interrupt channel by setting the corresponding bit in this register. This feature is useful in hardware verification or software debugging.

SCCx: Source Clear Command

0 = No effect.

1 = Deactivates the corresponding interrupt channels

AIC End of Service Command Register (AIC_EOSCR)

| REGISTER | ADDRESS | R/W | DESCRIPTION | RESET VALUE |
|-----------|-------------|-----|---------------------------------|-------------|
| AIC_EOSCR | 0xFFF8.2130 | W | End of Service Command Register | Undefined |

| | | | | | | | |
|-----|-----|-----|-----|-----|-----|-----|-----|
| 31 | 30 | 29 | 28 | 27 | 26 | 25 | 24 |
| --- | --- | --- | --- | --- | --- | --- | --- |
| 23 | 22 | 21 | 20 | 19 | 18 | 17 | 16 |
| --- | --- | --- | --- | --- | --- | --- | --- |
| 15 | 14 | 13 | 12 | 11 | 10 | 9 | 8 |
| --- | --- | --- | --- | --- | --- | --- | --- |
| 7 | 6 | 5 | 4 | 3 | 2 | 1 | 0 |
| --- | --- | --- | --- | --- | --- | --- | --- |

This register is used by the interrupt service routine to indicate that it is completely served. Thus, the interrupt handler can write any value to this register to indicate the end of its interrupt service.

7.12 General-Purpose Input/Output Controller (GPIO)

The General-Purpose Input/Output (GPIO) module possesses 21 pins and serves multiple purposes.

The Features of the GPIO Controller:

- Programmable as an input or output pin
- Includes de-bouncer circuits on GPIO20, GPIO19, GPIO18, and GPIO17 which can be turned off if not required

For example, GPIO20 ~ GPIO17 can be programmed as external interrupt input pins, GPIO16 ~ GPIO15 for external DMA function, GPIO14 ~ GPIO13 for TIMER tone output, GPIO12 as the watchdog timeout flag, GPIO11 ~ GPIO10 used for UART console monitor, GPIO9 ~ GPIO4 for modem. The table as shown below is a summary.



Table 7.12.1 GPIO Pin Assignment of Multi-Function

| GPIO | GENERAL-PURPOSE I/O | | MULTI-FUNCTION 1 | | MULTI-FUNCTION 2 (USB IO PORT) | |
|--------|---------------------|------|------------------|------|-----------------------------------|------|
| | NAME | TYPE | NAME | TYPE | NAME | TYPE |
| GPIO20 | GP20 | IO | nIRQ3 | I | - | - |
| GPIO19 | GP19 | IO | nIRQ2 | I | - | - |
| GPIO18 | GP18 | IO | nIRQ1 | I | OVRCUR | I |
| GPIO17 | GP17 | IO | nIRQ0 | I | - | - |
| GPIO16 | GP16 | IO | NXDREQ3 | I | - | - |
| GPIO15 | GP15 | IO | nXDACK | O | - | - |
| GPIO14 | GP14 | IO | TIMER1 | O | SPEED | O |
| GPIO13 | GP13 | IO | TIMER0 | O | STDBY | O |
| GPIO12 | GP12 | IO | nWDOG | O | PWRENX | O |
| GPIO11 | GP11 | IO | RxD | I | - | - |
| GPIO10 | GP10 | IO | TxD | O | - | - |
| GPIO9 | GP9 | IOU | nDSR | IU | nTOE | O |
| GPIO8 | GP8 | IOU | nDTR | O | FSE0 | O |
| GPIO7 | GP7 | IOU | nCD | IU | VO | O |
| GPIO6 | GP6 | IOU | nCTS | IU | VM | IU |
| GPIO5 | GP5 | IOU | nRTS | O | VP | IU |
| GPIO4 | GP4 | IOU | nRI | IU | RCV | IU |
| GPIO3 | GP3 | IOU | NXDREQ2 | IU | - | - |
| GPIO2 | GP2 | IOU | NXDREQ1 | IU | - | - |
| GPIO1 | GP1 | IOU | NWTC | O | - | - |
| GPIO0 | GP0 | IOU | NRTC | O | - | - |

Note: U means internal weak pull-up.

7.12.1 GPIO Controller Registers Map

| REGISTER | ADDRESS | R/W | DESCRIPTION | RESET VALUE |
|--------------|--------------|-----|-----------------------------|-------------|
| GPIO_CFG | 0xFFFF8.3000 | R/W | GPIO Configuration Register | 0x0000.0000 |
| GPIO_DIR | 0xFFFF8.3004 | R/W | GPIO Direction Register | 0x0000.0000 |
| GPIO_DATAOUT | 0xFFFF8.3008 | R/W | GPIO Data Output Register | 0x0000.0000 |
| GPIO_DATAIN | 0xFFFF8.300C | R | GPIO Data Input Register | Undefined |
| DEBNCE_CTRL | 0xFFFF8.3010 | R/W | De-bounce Control Register | 0x0000.0000 |

W90N740CD/W90N740CDG



GPIO Configuration Register (GPIO_CFG)

| REGISTER | ADDRESS | R/W | DESCRIPTION | RESET VALUE |
|----------|-------------|-----|-----------------------------|-------------|
| GPIO_CFG | 0xFFF8.3000 | R/W | GPIO Configuration Register | 0x0000.0000 |

| 31 | 30 | 29 | 28 | 27 | 26 | 25 | 24 |
|-----------|----|--------------|----|------------|----|------------|----|
| RESERVED | | | | | | | |
| 23 | 22 | 21 | 20 | 19 | 18 | 17 | 16 |
| | | GPIOCFG20 | | GPIOCFG19 | | GPIOCFG18 | |
| 15 | 14 | 13 | 12 | 11 | 10 | 9 | 8 |
| GPIOCFG17 | | GPIOCFG16_15 | | GPIOCFG14 | | GPIOCFG13 | |
| 7 | 6 | 5 | 4 | 3 | 2 | 1 | 0 |
| GPIOCFG12 | | GPIOCFG11_10 | | GPIOCFG9_4 | | GPIOCFG3_0 | |

GPIOCFG20 [21:20]: Operating mode for GPIO20

| GPIOCFG20 | 11 | | 10 | | 01 | | 00 | |
|-----------|----------|------|----------|------|-------|------|------|------|
| | Name | Type | Name | Type | Name | Type | Name | Type |
| GPIO20 | RESERVED | I | RESERVED | | nIRQ3 | I | GP20 | IO |

nIRQ3 is one of the external interrupt input pins.

GPIOCFG19 [19:18]: Operating mode for GPIO19

| GPIOCFG19 | 11 | | 10 | | 01 | | 00 | |
|-----------|----------|------|----------|------|-------|------|------|------|
| | Name | Type | Name | Type | Name | Type | Name | Type |
| GPIO19 | RESERVED | I | RESERVED | | nIRQ2 | I | GP19 | IO |

nIRQ2 is one of the external interrupt input pins.

GPIOCFG18 [17:16]: Operating mode for GPIO18

| GPIOCFG18 | 11 | | 10 | | 01 | | 00 | |
|-----------|----------|------|------------|------|-------|------|------|------|
| | Name | Type | Name | Type | Name | Type | Name | Type |
| GPIO18 | RESERVED | I | OVR CUR | I | nIRQ1 | I | GP18 | IO |

OVRCUR is used as over current indicator if this field set to 10.

nIRQ1 is one of the external interrupt input pins.

W90N740CD/W90N740CDG



GPIOCFG17 [15:14]: Operating mode for GPIO17

| GPIOCFG17 | 11 | | 10 | | 01 | | 00 | |
|---------------|----------|------|----------|------|-------|------|------|------|
| | Name | Type | Name | Type | Name | Type | Name | Type |
| GPIO17 | RESERVED | | RESERVED | | nIRQ0 | I | GP17 | IO |

nIRQ0 is one of the external interrupt input pins.

GPIOCFG16_15 [13:12]: Operating mode for GPIO16 and GPIO15

| GPIOCFG16_15 | 11 | | 10 | | 01 | | 00 | |
|---------------|----------|------|----------|------|---------|------|------|------|
| | Name | Type | Name | Type | Name | Type | Name | Type |
| GPIO16 | RESERVED | O | RESERVED | | NXDREQ3 | I | GP16 | I/O |
| GPIO15 | RESERVED | O | RESERVED | | nXDACK | O | GP15 | I/O |

NXDREQ3 is the external DMA request signal pin.

nXDACK is the external DMA granted signal pin.

GPIOCFG14 [11:10]: Operating mode for GPIO14

| GPIOCFG14 | 11 | | 10 | | 01 | | 00 | |
|---------------|----------|------|-------|------|--------|------|------|------|
| | Name | Type | Name | Type | Name | Type | Name | Type |
| GPIO14 | RESERVED | O | SPEED | O | TIMER1 | O | GP14 | IO |

SPEED is a USB IO port, which controls the external USB transceiver speed mode.

TIMER1 is the tone output of TIMER1.

GPIOCFG13 [9:8]: Operating mode for GPIO13

| GPIOCFG13 | 11 | | 10 | | 01 | | 00 | |
|---------------|----------|------|-------|------|--------|------|------|------|
| | Name | Type | Name | Type | Name | Type | Name | Type |
| GPIO13 | RESERVED | O | STDBY | O | TIMER0 | O | GP13 | IO |

STDBY is a USB IO port, which controls the external USB transceiver power-down mode.

TIMER0 is the tone output of TIMER0.

GPIOCFG12 [7:6]: Operating mode for GPIO12

| GPIOCFG12 | 11 | | 10 | | 01 | | 00 | |
|---------------|----------|------|-------|------|-------|------|------|------|
| | Name | Type | Name | Type | Name | Type | Name | Type |
| GPIO12 | RESERVED | IO | PWREN | IO | nWDOG | O | GP12 | IO |

nWDOG is the timeout output of Watch-Dog Timer.

W90N740CD/W90N740CDG



GPIOCFG11_10 [5:4]: Operating mode for GPIO11 and GPIO10

| GPIOCFG11_10 | 11 | | 10 | | 01 | | 00 | |
|--------------|----------|------|----------|------|------|------|------|------|
| | Name | Type | Name | Type | Name | Type | Name | Type |
| GPIO11 | RESERVED | O | RESERVED | | RxD | I | GP11 | IO |
| GPIO10 | | O | | | TxD | O | GP10 | IO |

RxD and TxD are used for the UART console.

GPIOCFG9_4 [3:2]: Operating mode for GPIO9, GPIO8, GPIO7, GPIO6, GPIO5, and GPIO4

| GPIOCFG9_4 | 11 | | 10 | | 01 | | 00 | |
|------------|----------|------|------|------|------|------|------|------|
| | Name | Type | Name | Type | Name | Type | Name | Type |
| GPIO9 | RESERVED | | nTOE | O | nDSR | IU | GP9 | IOU |
| GPIO8 | | | FSE0 | O | nDTR | O | GP8 | IOU |
| GPIO7 | | | VO | O | nCD | IU | GP7 | IOU |
| GPIO6 | | | VM | IU | nCTS | IU | GP6 | IOU |
| GPIO5 | | | VP | IU | nRTS | O | GP5 | IOU |
| GPIO4 | | | RCV | IU | nRI | IU | GP4 | IOU |

nTOE, FSE0, VO, VM, VP, and RCV are the USB IO signal pins, which connected to the external USB transceiver to control the data in/out.

nDSR, nDTR, nCD, nCTS, nRTS and nRI are the UART modem signal pins.

GPIOCFG3_0 [1:0]: Operating mode for GPIO3, GPIO2, GPIO1, and GPIO0

| GPIOCFG3_0 | 11 | | 10 | | 01 | | 00 | |
|------------|----------|------|----------|------|---------|------|------|------|
| | Name | Type | Name | Type | Name | Type | Name | Type |
| GPIO3 | RESERVED | | RESERVED | | NXDREQ2 | IU | GP3 | I/O |
| GPIO2 | | | | | NXDREQ1 | IU | GP2 | I/O |
| GPIO1 | | | | | NWTC | O | GP1 | I/O |
| GPIO0 | | | | | NRTC | O | GP0 | I/O |

GPIO Direction Register (GPIO_DIR)

| REGISTER | ADDRESS | R/W | DESCRIPTION | RESET VALUE |
|----------|-------------|-----|-------------------------|-------------|
| GPIO_DIR | 0xFFF8.3004 | R/W | GPIO Direction Register | 0x0000.0000 |



| | | | | | | | |
|----------|---------|---------|---------|---------|---------|---------|---------|
| 31 | 30 | 29 | 28 | 27 | 26 | 25 | 24 |
| RESERVED | | | | | | | |
| 23 | 22 | 21 | 20 | 19 | 18 | 17 | 16 |
| RESERVED | | | GPIOD20 | GPIOD19 | GPIOD18 | GPIOD17 | GPIOD16 |
| 15 | 14 | 13 | 12 | 11 | 10 | 9 | 8 |
| GPIOD15 | GPIOD14 | GPIOD13 | GPIOD12 | GPIOD11 | GPIOD10 | GPIOD9 | GPIOD8 |
| 7 | 6 | 5 | 4 | 3 | 2 | 1 | 0 |
| GPIOD7 | GPIOD6 | GPIOD5 | GPIOD4 | GPIOD3 | GPIOD2 | GPIOD1 | GPIOD0 |

GPIODx: GPIOx direction

The GPIODx is used to set the direction of GPIOx if it is used as a regular input/output pin (GPx).

0 = GPIOx is an input pin

1 = GPIOx is an output pin

GPIO Data Output Register (GPIO_DATAOUT)

| REGISTER | ADDRESS | R/W | DESCRIPTION | RESET VALUE |
|--------------|-------------|-----|---------------------------|-------------|
| GPIO_DATAOUT | 0xFFF8.3008 | R/W | GPIO Data Output Register | 0x0000.0000 |

| | | | | | | | |
|----------|----------|----------|----------|----------|----------|----------|----------|
| 31 | 30 | 29 | 28 | 27 | 26 | 25 | 24 |
| RESERVED | | | | | | | |
| 23 | 22 | 21 | 20 | 19 | 18 | 17 | 16 |
| RESERVED | | | GPIODO20 | GPIODO19 | GPIODO18 | GPIODO17 | GPIODO16 |
| 15 | 14 | 13 | 12 | 11 | 10 | 9 | 8 |
| GPIODO15 | GPIODO14 | GPIODO13 | GPIODO12 | GPIODO11 | GPIODO10 | GPIODO9 | GPIODO8 |
| 7 | 6 | 5 | 4 | 3 | 2 | 1 | 0 |
| GPIODO7 | GPIODO6 | GPIODO5 | GPIODO4 | GPIODO3 | GPIODO2 | GPIODO1 | GPIODO0 |

GPIODOx: GPIO output corresponding to bit x

If the GPIOx is used as a general-purpose output pin, then the corresponding GPIODOx specifies the value to output from this pin.

GPIO Data Input Register (GPIO_DATAIN)

| REGISTER | ADDRESS | R/W | DESCRIPTION | RESET VALUE |
|-------------|-------------|-----|--------------------------|-------------|
| GPIO_DATAIN | 0xFFF8.3008 | R | GPIO Data Input Register | Undefined |

W90N740CD/W90N740CDG



| | | | | | | | |
|----------|----------|----------|----------|----------|----------|----------|----------|
| 31 | 30 | 29 | 28 | 27 | 26 | 25 | 24 |
| RESERVED | | | | | | | |
| 23 | 22 | 21 | 20 | 19 | 18 | 17 | 16 |
| RESERVED | | | GPIODI20 | GPIODI19 | GPIODI18 | GPIODI17 | GPIODI16 |
| 15 | 14 | 13 | 12 | 11 | 10 | 9 | 8 |
| GPIODI15 | GPIODI14 | GPIODI13 | GPIODI12 | GPIODI11 | GPIODI10 | GPIODI9 | GPIODI8 |
| 7 | 6 | 5 | 4 | 3 | 2 | 1 | 0 |
| GPIODI7 | GPIODI6 | GPIODI5 | GPIODI4 | GPIODI3 | GPIODI2 | GPIODI1 | GPIODI0 |

GPIODIx: GPIO status corresponding to bit x

The GPIODIx indicates the status of each GPIO pin regardless of its operation mode.

Debounce Control Register (DEBNCE_CTRL)

| REGISTER | ADDRESS | R/W | DESCRIPTION | RESET VALUE |
|-------------|-------------|-----|----------------------------|-------------|
| DEBNCE_CTRL | 0xFFF8.3010 | R/W | De-bounce Control Register | 0x0000.0000 |

| | | | | | | | |
|----------|----------|----|----|------|------|------|------|
| 31 | 30 | 29 | 28 | 27 | 26 | 25 | 24 |
| RESERVED | | | | | | | |
| 23 | 22 | 21 | 20 | 19 | 18 | 17 | 16 |
| RESERVED | | | | | | | |
| 15 | 14 | 13 | 12 | 11 | 10 | 9 | 8 |
| RESERVED | | | | | | | |
| 7 | 6 | 5 | 4 | 3 | 2 | 1 | 0 |
| RESERVED | DBCLKSEL | | | DBE3 | DBE2 | DBE1 | DBE0 |

DBCLKSEL [6:4]: De-bounce Clock Rate Selector

These three bits are used to select the clock rate for de-bouncer circuit. The relationship between the system clock HCLK and the de-bounce clock TCLK_BUN is as follows:

$$TCLK_BUN = HCLK / 2^{DBCLKSEL}$$

DBE3 [3]: De-bouncer Circuit Enable for GPIO20

0 = De-bounce function is disabled

1 = De-bounce function is enabled



DBE2 [2]: De-bouncer Circuit Enable for GPIO19

0 = De-bounce function is disabled

1 = De-bounce function is enabled

DBE1 [1]: De-bouncer Circuit Enable for GPIO18

0 = De-bounce function is disabled

1 = De-bounce function is enabled

DBE0 [0]: De-bouncer Circuit Enable for GPIO17

0 = De-bounce function is disabled

1 = De-bounce function is enabled

8. ELECTRICAL CHARACTERISTICS

8.1 Absolute Maximum Ratings

| | |
|--|----------------|
| Ambient Temperature..... | 0 °C ~ 70 °C |
| Storage Temperature | -40 °C ~ 125°C |
| Voltage on Any Pin | -0.5V ~ 6V |
| Power Supply Voltage (Core logic) | 1.62V ~ 1.96V |
| Power Supply Voltage (IO Buffer) | 3.0V ~ 3.6V |
| Injection Current (latch-up testing) | 100 mA |
| Crystal Frequency | 3 MHz ~ 30 MHz |

W90N740CD/W90N740CDG



8.2 DC Characteristics

(Normal test conditions: VDD33/USBVDD = 3.3V±0.3V, VDD18/DVDD18/AVDD18 = 1.8V±0.18V

T_A = 0 °C ~ 70 °C unless otherwise specified)

| SYMBOL | PARAMETER | CONDITION | MIN. | MAX. | UNIT |
|-----------------------------|--|--------------------------|------|------|------|
| VDD33/ USBVDD | Power Supply | | 3.00 | 3.60 | V |
| VDD18/ DVDD18/ AVDD18 | Power Supply | | 1.62 | 1.98 | V |
| V _{IL} | Input Low Voltage | | -0.3 | 0.8 | V |
| V _{IH} | Input High Voltage | | 2.0 | 5.5 | V |
| V _{T+} | Schmitt Trigger positive-going threshold | | 1.47 | 1.5 | V |
| V _{T-} | Schmitt trigger negative-going threshold | | 0.89 | 0.95 | V |
| V _{OL} | Output Low Voltage | Depend on driving | | 0.4 | V |
| V _{OH} | Output High Voltage | Depend on driving | 2.4 | | V |
| I _{CC1} | Supply Current (VDD33) | F _{cpu} = 80MHz | | 90 | mA |
| I _{CC2} | Supply Current (VDD18) | F _{cpu} = 80MHz | | 40 | mA |
| I _{IH} | Input High Current | V _{IN} = 2.4 V | -1 | 1 | μA |
| I _{IL} | Input Low Current | V _{IN} = 0.4 V | -1 | 1 | μA |
| I _{IHP} | Input High Current (pull-up) | V _{IN} = 2.4 V | -15 | -10 | μA |
| I _{ILP} | Input Low Current (pull-up) | V _{IN} = 0.4 V | -55 | -25 | μA |
| I _{IHD} | Input High Current (pull-down) | V _{IN} = 2.4 V | 25 | 60 | μA |
| I _{ILD} | Input Low Current (pull-down) | V _{IN} = 0.4 V | 5 | 10 | μA |

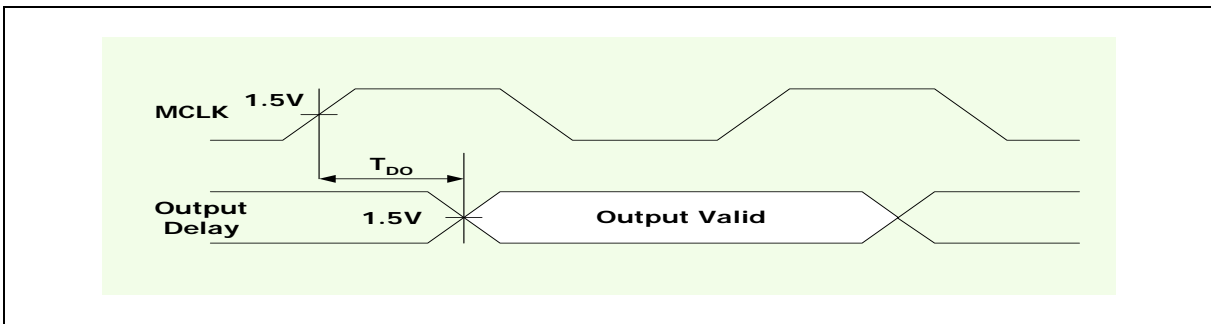
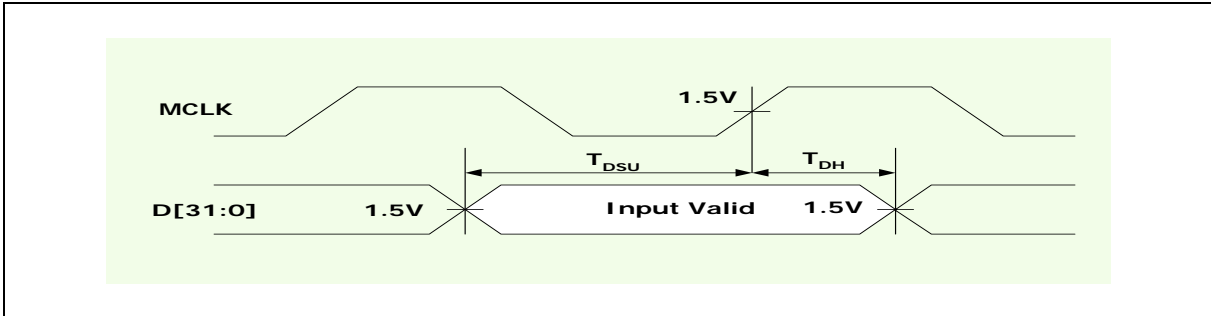
8.2.1 USB Transceiver DC Characteristics

| SYMBOL | PARAMETER | CONDITIONS | MIN. | MAX. | UNIT |
|------------------|---------------------------------|--------------------------------|------|------|------|
| V _{DI} | DIFFERENTIAL INPUT SENSITIVITY | DP – DM | 0.2 | | V |
| V _{CM} | Differential Common Mode Range | Includes V _{DI} range | 0.8 | 2.5 | V |
| V _{SE} | Single Ended Receiver Threshold | | 0.8 | 2.0 | V |
| V _{OL} | Static Output Low Voltage | RL of 1.5 KΩ to 3.6 V | | 0.3 | V |
| V _{OH} | Static Output High Voltage | RL of 15 KΩ to V _{SS} | 2.8 | 3.6 | V |
| V _{CRS} | Output Signal Crossover Voltage | | 1.3 | 2.0 | V |
| Z _{DRV} | Driver Output Resistance | Steady state drive | 28 | 43 | Ω |



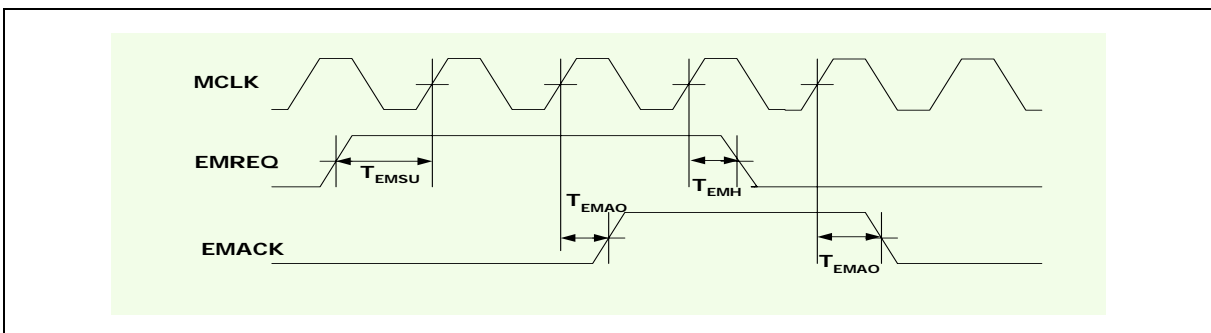
8.3 AC Characteristics

8.3.1 EBI/SDRAM Interface AC Characteristics



| SYM. | PARAMETER | MIN. | MAX. | UNIT |
|-----------|---|------|------|------|
| T_{DSU} | D [31:0] Setup Time | 2 | | nS |
| T_{DH} | D [31:0] Hold Time | 3 | | nS |
| T_{DO} | D [31:0], A [24:0], nSCS [1:0], SDQM [3:0], CKE, nSWE, nSRAS, nSCAS | 2 | 7 | nS |

8.3.2 EBI/External Master Interface AC Characteristics

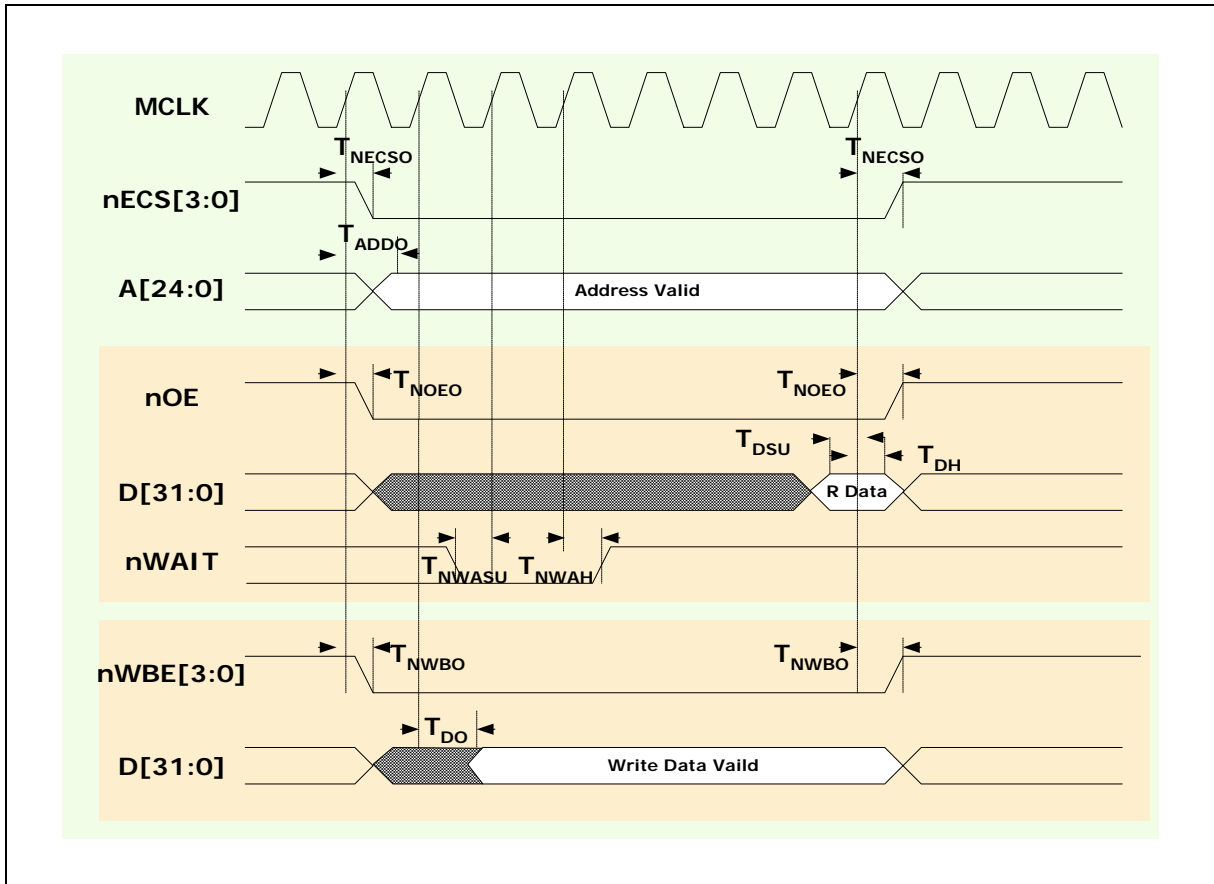


W90N740CD/W90N740CDG



| SYM. | DESCRIPTION | MIN. | MAX. | UNIT |
|------------|-------------------------|------|------|------|
| T_{EMSU} | EMREQ Setup Time | 2 | | nS |
| T_{EMH} | EMREQ Hold Time | 3 | | nS |
| T_{EMAO} | EMACK Output Delay Time | 4 | 7 | nS |

8.3.3 EBI/(ROM/SRAM/External I/O) AC Characteristics

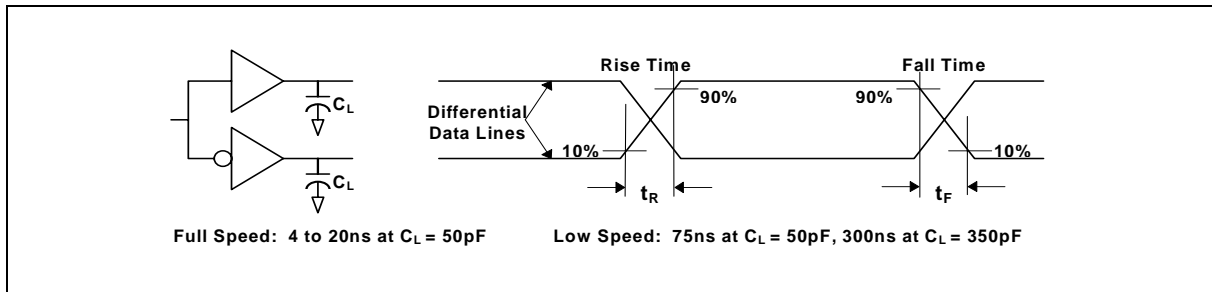


W90N740CD/W90N740CDG



| SYMBOL | DESCRIPTION | MIN. | MAX. | UNIT |
|-------------|---|------|------|------|
| T_{ADDO} | Address Output Delay Time | 2 | 7 | nS |
| T_{NCSO} | ROM/SRAM/Flash or External I/O Chip Select Delay Time | 2 | 7 | nS |
| T_{NOEO} | ROM/SRAM or External I/O Bank Output Enable Delay | 2 | 7 | nS |
| T_{NWBO} | ROM/SRAM or External I/O Bank Write Byte Enable Delay | 2 | 7 | nS |
| T_{DH} | Read Data Hold Time | 7 | | nS |
| T_{DSU} | Read Data Setup Time | 0 | | nS |
| T_{DO} | Write Data Output Delay Time (SRAM or External I/O) | 2 | 7 | nS |
| T_{NWASU} | External Wait Setup Time | 3 | | nS |
| T_{NWAH} | External Wait Hold Time | 1 | | nS |

8.3.4 USB Transceiver AC Characteristics



Data Signal Rise and Fall Time

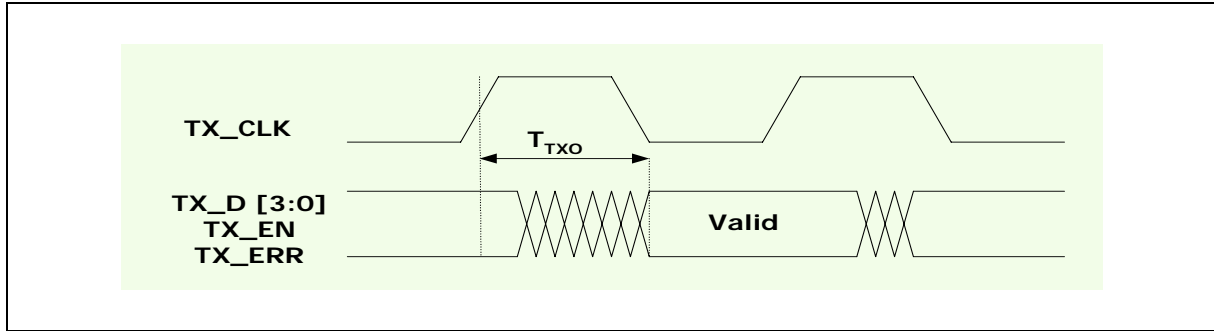
USB Transceiver AC Characteristics

| SYM. | DESCRIPTION | CONDITIONS | MIN. | MAX. | UNIT |
|-------------|--------------------------------------|---|-------|-------|------|
| T_R | Rise Time (Full Speed) | $C_L = 50\text{ pF}$ | 4 | 20 | nS |
| T_F | Fall Time (Full Speed) | $C_L = 50\text{ pF}$ | 4 | 20 | nS |
| T_{RFM} | Rise/Fall Time Matching (Full Speed) | | 90 | 112 | % |
| T_{DRATE} | Full Speed Data Rate | Average bit rate (12 Mb/s $\pm 0.25\%$) | 11.97 | 12.03 | Mbps |

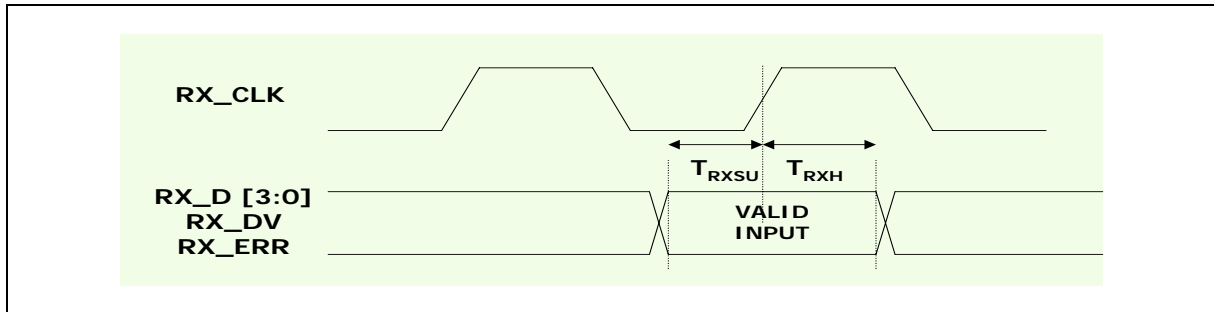


8.3.5 EMC MII AC Characteristics

The signal timing characteristics conforms to the guidelines specified in IEEE Std. 802.3.

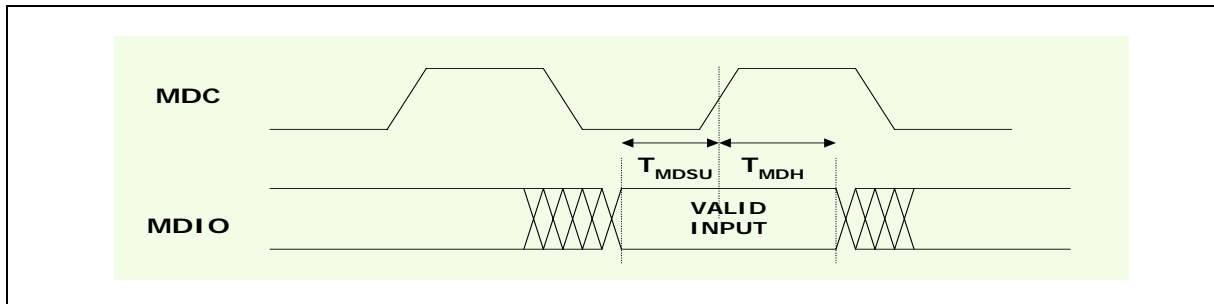


Transmit Signal Timing Relationships at MII



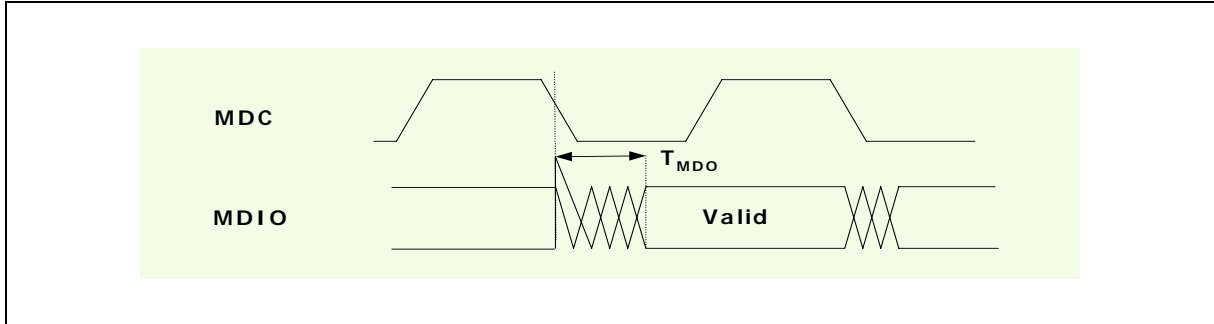
Receive Signal Timing Relationships at MII

| SYMBOL | DESCRIPTION | MIN. | MAX. | UNIT |
|-------------------|----------------------------|------|------|------|
| T _{TXO} | Transmit Output Delay Time | 3 | 15 | nS |
| T _{RXSU} | Receive Setup Time | 5 | | nS |
| T _{RXH} | Receive Hold Time | 5 | | nS |



MDIO Read From PHY Timing

W90N740CD/W90N740CDG



MDIO Write to PHY Timing

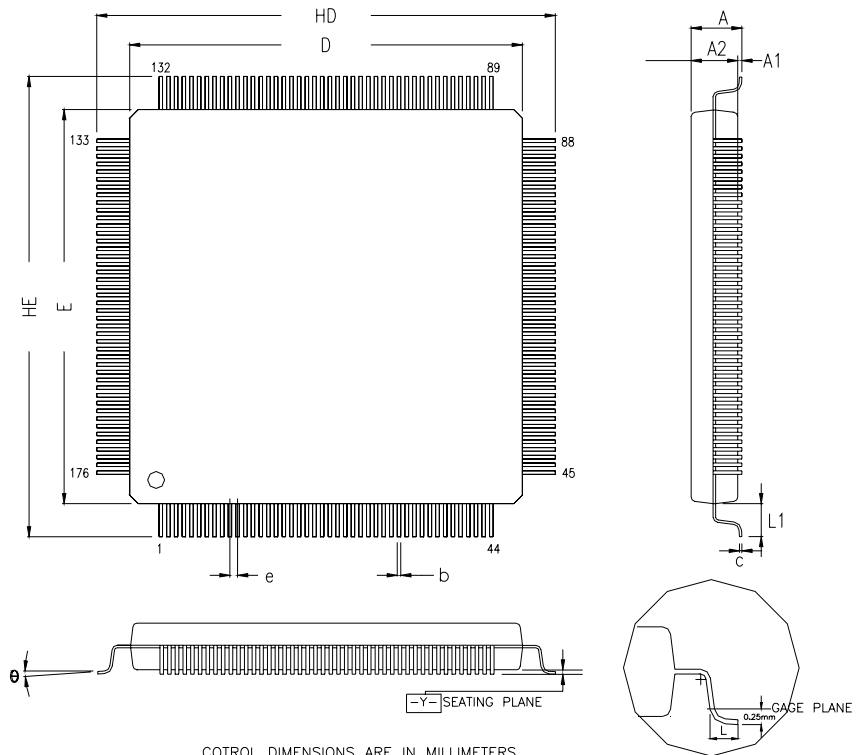
| SYMBOL | DESCRIPTION | MIN. | MAX. | UNIT |
|------------|------------------------|------|------|------|
| T_{MDO} | MDIO Output Delay Time | 0 | 5 | nS |
| T_{MDSU} | MDIO Setup Time | 5 | | nS |
| T_{MDH} | MDIO Hold Time | 5 | | nS |

W90N740CD/W90N740CDG



9. PACKAGE DIMENSIONS

176-Pin LQFP (note that the value in inches may have some inaccuracy as it is translated from the value in millimeter)



COTROL DIMENSIONS ARE IN MILLIMETERS.

| SYMBOL | MILLIMETER | | | INCH | | |
|----------------|------------|------|------|------------|-------|-------|
| | MIN. | NOM. | MAX. | MIN. | NOM. | MAX. |
| A | — | — | 1.60 | — | — | 0.063 |
| A1 | 0.05 | — | 0.15 | 0.002 | — | 0.006 |
| A2 | 1.35 | 1.40 | 1.45 | 0.053 | 0.055 | 0.057 |
| HD | 22.00 BSC. | | | 0.866 BSC. | | |
| D | 20.00 BSC. | | | 0.787 BSC. | | |
| HE | 22.00 BSC. | | | 0.866 BSC. | | |
| E | 20.00 BSC. | | | 0.787 BSC. | | |
| b | 0.13 | 0.16 | 0.23 | 0.005 | 0.006 | 0.009 |
| e | 0.40 BSC. | | | 0.016 BSC. | | |
| θ | 0° | 3.5° | 7° | 0° | 3.5° | 7° |
| L | 0.45 | 0.60 | 0.75 | 0.018 | 0.024 | 0.030 |
| L ₁ | 1.00 REF | | | 0.039 REF | | |
| c | 0.09 | — | 0.20 | 0.004 | — | 0.008 |
| Y | — | — | 0.10 | — | — | 0.004 |

W90N740CD/W90N740CDG



10. W90N740 REGISTERS MAPPING TABLE

R: read only, W: write only, R/W: both read and write, C: Only value 0 can be written

System Manager Control Registers Map

| REGISTER | ADDRESS | R/W | DESCRIPTION | RESET VALUE |
|----------|-------------|-----|------------------------------|-------------|
| PDID | 0xFFF0.0000 | R | Product Identifier Register | 0X090.0740 |
| ARBCON | 0xFFF0.0004 | R/W | Arbitration Control Register | 0x0000.0000 |
| PLLCON | 0xFFF0.0008 | R/W | PLL Control Register | 0x0000.2F01 |
| CLKSEL | 0xFFF0.000C | R/W | Clock Select Register | 0x0000.3FX8 |

EBI Control Registers Map

| REGISTER | ADDRESS | R/W | DESCRIPTION | RESET VALUE |
|----------|-------------|-----|--------------------------------------|-------------|
| EBICON | 0xFFF0.1000 | R/W | EBI control register | 0x0001.0000 |
| ROMCON | 0xFFF0.1004 | R/W | ROM/FLASH control register | 0x0000.0XFC |
| SDCONF0 | 0xFFF0.1008 | R/W | SDRAM bank 0 configuration register | 0x0000.0800 |
| SDCONF1 | 0xFFF0.100C | R/W | SDRAM bank 1 configuration register | 0x0000.0800 |
| SDTIME0 | 0xFFF0.1010 | R/W | SDRAM bank 0 timing control register | 0x0000.0000 |
| SDTIME1 | 0xFFF0.1014 | R/W | SDRAM bank 1 timing control register | 0x0000.0000 |
| EXT0CON | 0xFFF0.1018 | R/W | External I/O 0 control register | 0x0000.0000 |
| EXT1CON | 0xFFF0.101C | R/W | External I/O 1 control register | 0x0000.0000 |
| EXT2CON | 0xFFF0.1020 | R/W | External I/O 2 control register | 0x0000.0000 |
| EXT3CON | 0xFFF0.1024 | R/W | External I/O 3 control register | 0x0000.0000 |
| CKSKEW | 0xFFF0.1F00 | R/W | Clock skew control register | 0XXXXX.0038 |

Cache Control Registers Map

| REGISTER | ADDRESS | R/W | DESCRIPTION | RESET VALUE |
|----------|-------------|-----|------------------------------|-------------|
| CAHCNF | 0xFFF0.2000 | R/W | Cache configuration register | 0x0000.0000 |
| CAHCON | 0xFFF0.2004 | R/W | Cache control register | 0x0000.0000 |
| CAHADR | 0xFFF0.2008 | R/W | Cache address register | 0x0000.0000 |

W90N740CD/W90N740CDG



EMC 0 Control registers Map

| REGISTER | ADDRESS | R/W | DESCRIPTION | RESET VALUE |
|----------------------|-------------|-----|---------------------------------------|-------------|
| CAM REGISTERS | | | | |
| CAMCMR_0 | 0xFFF0.3000 | R/W | CAM Command Register | 0x0000.0000 |
| CAMEN_0 | 0xFFF0.3004 | R/W | CAM enable register | 0x0000.0000 |
| CAM1M_0 | 0xFFF0.3008 | R/W | CAM1 Most Significant Word Register | 0x0000.0000 |
| CAM1L_0 | 0xFFF0.300C | R/W | CAM1 Least Significant Word Register | 0x0000.0000 |
| CAM2M_0 | 0xFFF0.3010 | R/W | CAM2 Most Significant Word Register | 0x0000.0000 |
| CAM2L_0 | 0xFFF0.3014 | R/W | CAM2 Least Significant Word Register | 0x0000.0000 |
| CAM3M_0 | 0xFFF0.3018 | R/W | CAM3 Most Significant Word Register | 0x0000.0000 |
| CAM3L_0 | 0xFFF0.301C | R/W | CAM3 Least Significant Word Register | 0x0000.0000 |
| CAM4M_0 | 0xFFF0.3020 | R/W | CAM4 Most Significant Word Register | 0x0000.0000 |
| CAM4L_0 | 0xFFF0.3024 | R/W | CAM4 Least Significant Word Register | 0x0000.0000 |
| CAM5M_0 | 0xFFF0.3028 | R/W | CAM5 Most Significant Word Register | 0x0000.0000 |
| CAM5L_0 | 0xFFF0.302C | R/W | CAM5 Least Significant Word Register | 0x0000.0000 |
| CAM6M_0 | 0xFFF0.3030 | R/W | CAM6 Most Significant Word Register | 0x0000.0000 |
| CAM6L_0 | 0xFFF0.3034 | R/W | CAM6 Least Significant Word Register | 0x0000.0000 |
| CAM7M_0 | 0xFFF0.3038 | R/W | CAM7 Most Significant Word Register | 0x0000.0000 |
| CAM7L_0 | 0xFFF0.303C | R/W | CAM7 Least Significant Word Register | 0x0000.0000 |
| CAM8M_0 | 0xFFF0.3040 | R/W | CAM8 Most Significant Word Register | 0x0000.0000 |
| CAM8L_0 | 0xFFF0.3044 | R/W | CAM8 Least Significant Word Register | 0x0000.0000 |
| CAM9M_0 | 0xFFF0.3048 | R/W | CAM9 Most Significant Word Register | 0x0000.0000 |
| CAM9L_0 | 0xFFF0.304C | R/W | CAM9 Least Significant Word Register | 0x0000.0000 |
| CAM10M_0 | 0xFFF0.3050 | R/W | CAM10 Most Significant Word Register | 0x0000.0000 |
| CAM10L_0 | 0xFFF0.3054 | R/W | CAM10 Least Significant Word Register | 0x0000.0000 |
| CAM11M_0 | 0xFFF0.3058 | R/W | CAM11 Most Significant Word Register | 0x0000.0000 |
| CAM11L_0 | 0xFFF0.305C | R/W | CAM11 Least Significant Word Register | 0x0000.0000 |
| CAM12M_0 | 0xFFF0.3060 | R/W | CAM12 Most Significant Word Register | 0x0000.0000 |
| CAM12L_0 | 0xFFF0.3064 | R/W | CAM12 Least Significant Word Register | 0x0000.0000 |
| CAM13M_0 | 0xFFF0.3068 | R/W | CAM13 Most Significant Word Register | 0x0000.0000 |
| CAM13L_0 | 0xFFF0.306C | R/W | CAM13 Least Significant Word Register | 0x0000.0000 |
| CAM14M_0 | 0xFFF0.3070 | R/W | CAM14 Most Significant Word Register | 0x0000.0000 |
| CAM14L_0 | 0xFFF0.3074 | R/W | CAM14 Least Significant Word Register | 0x0000.0000 |

W90N740CD/W90N740CDG



EMC 0 Control registers Map, continued

| REGISTER | ADDRESS | R/W | DESCRIPTION | RESET VALUE |
|----------------------|-------------|-----|--|-------------|
| CAM REGISTERS | | | | |
| CAM15M_0 | 0xFFF0.3078 | R/W | CAM15 Most Significant Word Register | 0x0000.0000 |
| CAM15L_0 | 0xFFF0.307C | R/W | CAM15 Least Significant Word Register | 0x0000.0000 |
| CAM16M_0 | 0xFFF0.3080 | R/W | CAM16 Most Significant Word Register | 0x0000.0000 |
| CAM16L_0 | 0xFFF0.3084 | R/W | CAM16 Least Significant Word Register | 0x0000.0000 |
| MAC REGISTERS | | | | |
| MIEN_0 | 0xFFF0.3088 | R/W | MAC Interrupt Enable Register | 0x0000.0000 |
| MCMDR_0 | 0xFFF0.308C | R/W | MAC Command Register | 0x0000.0000 |
| MIID_0 | 0xFFF0.3090 | R/W | MII Management Data Register | 0x0000.0000 |
| MIIDA_0 | 0xFFF0.3094 | R/W | MII Management Data Control and Address Register | 0x0090.0000 |
| MPCNT_0 | 0xFFF0.3098 | R/W | Missed Packet counter register | 0x0000.7FFF |
| DMA REGISTERS | | | | |
| TXDLSA_0 | 0xFFF0.309C | R/W | Transmit Descriptor Link List Start Address register | 0xFFFF.FFFC |
| RXDLSA_0 | 0xFFF0.30A0 | R/W | Receive Descriptor Link List Start Address register | 0xFFFF.FFFC |
| DMARFC_0 | 0xFFF0.30A4 | R/W | DMA Receive Frame Control Register | 0x0000.0800 |
| TSDR_0 | 0xFFF0.30A8 | W | Transmit Start Demand Register | Undefined |
| RSDR_0 | 0xFFF0.30AC | W | Receive Start Demand Register | Undefined |
| FIFOTH_0 | 0xFFF0.30B0 | R/W | FIFO Threshold Adjustment Register | 0x0000.0101 |

W90N740CD/W90N740CDG



EMC 0 Status Registers

| REGISTER | ADDRESS | R/W | DESCRIPTION | RESET VALUE |
|----------------------|-------------|-----|--|-------------|
| MAC REGISTERS | | | | |
| MISTA_0 | 0xFFF0.30B4 | R/W | MAC Interrupt Status Register | 0x0000.0000 |
| MGSTA_0 | 0xFFF0.30B8 | R/W | MAC General Status Register | 0x0000.0000 |
| MRPC_0 | 0xFFF0.30BC | R | MAC Receive Pause count register | 0x0000.0000 |
| MRPCC_0 | 0xFFF0.30C0 | R | MAC Receive Pause Current Count Register | 0x0000.0000 |
| MREPC_0 | 0xFFF0.30C4 | R | MAC Remote pause count register | 0x0000.0000 |
| DMA REGISTERS | | | | |
| DMARFS_0 | 0xFFF0.30C8 | R/W | DMA Receive Frame Status Register | 0x0000.0000 |
| CTXDSA_0 | 0xFFF0.30CC | R | Current Transmit Descriptor Start Address Register | 0x0000.0000 |
| CTXBSA_0 | 0xFFF0.30D0 | R | Current Transmit Buffer Start Address Register | 0x0000.0000 |
| CRXDSA_0 | 0xFFF0.30D4 | R | Current Receive Descriptor Start Address Register | 0x0000.0000 |
| CRXBSA_0 | 0xFFF0.30D8 | R | Current Receive Buffer Start Address Register | 0x0000.0000 |

W90N740CD/W90N740CDG



EMC 1 Control Registers

| REGISTER | ADDRESS | R/W | DESCRIPTION | RESET VALUE |
|----------------------|--------------|-----|---------------------------------------|-------------|
| CAM REGISTERS | | | | |
| CAMCMR_1 | 0xFFFF0.3800 | R/W | CAM Command Register | 0x0000.0000 |
| CAMEN_1 | 0xFFFF0.3804 | R/W | CAM enable register | 0x0000.0000 |
| CAM1M_1 | 0xFFFF0.3808 | R/W | CAM1 Most Significant Word Register | 0x0000.0000 |
| CAM1L_1 | 0xFFFF0.380C | R/W | CAM1 Least Significant Word Register | 0x0000.0000 |
| CAM2M_1 | 0xFFFF0.3810 | R/W | CAM2 Most Significant Word Register | 0x0000.0000 |
| CAM2L_1 | 0xFFFF0.3814 | R/W | CAM2 Least Significant Word Register | 0x0000.0000 |
| CAM3M_1 | 0xFFFF0.3818 | R/W | CAM3 Most Significant Word Register | 0x0000.0000 |
| CAM3L_1 | 0xFFFF0.381C | R/W | CAM3 Least Significant Word Register | 0x0000.0000 |
| CAM4M_1 | 0xFFFF0.3820 | R/W | CAM4 Most Significant Word Register | 0x0000.0000 |
| CAM4L_1 | 0xFFFF0.3824 | R/W | CAM4 Least Significant Word Register | 0x0000.0000 |
| CAM5M_1 | 0xFFFF0.3828 | R/W | CAM5 Most Significant Word Register | 0x0000.0000 |
| CAM5L_1 | 0xFFFF0.382C | R/W | CAM5 Least Significant Word Register | 0x0000.0000 |
| CAM6M_1 | 0xFFFF0.3830 | R/W | CAM6 Most Significant Word Register | 0x0000.0000 |
| CAM6L_1 | 0xFFFF0.3834 | R/W | CAM6 Least Significant Word Register | 0x0000.0000 |
| CAM7M_1 | 0xFFFF0.3838 | R/W | CAM7 Most Significant Word Register | 0x0000.0000 |
| CAM7L_1 | 0xFFFF0.383C | R/W | CAM7 Least Significant Word Register | 0x0000.0000 |
| CAM8M_1 | 0xFFFF0.3840 | R/W | CAM8 Most Significant Word Register | 0x0000.0000 |
| CAM8L_1 | 0xFFFF0.3844 | R/W | CAM8 Least Significant Word Register | 0x0000.0000 |
| CAM9M_1 | 0xFFFF0.3848 | R/W | CAM9 Most Significant Word Register | 0x0000.0000 |
| CAM9L_1 | 0xFFFF0.384C | R/W | CAM9 Least Significant Word Register | 0x0000.0000 |
| CAM10M_1 | 0xFFFF0.3850 | R/W | CAM10 Most Significant Word Register | 0x0000.0000 |
| CAM10L_1 | 0xFFFF0.3854 | R/W | CAM10 Least Significant Word Register | 0x0000.0000 |
| CAM11M_1 | 0xFFFF0.3858 | R/W | CAM11 Most Significant Word Register | 0x0000.0000 |
| CAM11L_1 | 0xFFFF0.385C | R/W | CAM11 Least Significant Word Register | 0x0000.0000 |
| CAM12M_1 | 0xFFFF0.3860 | R/W | CAM12 Most Significant Word Register | 0x0000.0000 |
| CAM12L_1 | 0xFFFF0.3864 | R/W | CAM12 Least Significant Word Register | 0x0000.0000 |
| CAM13M_1 | 0xFFFF0.3868 | R/W | CAM13 Most Significant Word Register | 0x0000.0000 |
| CAM13L_1 | 0xFFFF0.386C | R/W | CAM13 Least Significant Word Register | 0x0000.0000 |

W90N740CD/W90N740CDG



EMC 1 Control Registers, continued.

| REGISTER | ADDRESS | R/W | DESCRIPTION | RESET VALUE |
|----------------------|-------------|-----|--|-------------|
| CAM REGISTERS | | | | |
| CAM14M_1 | 0xFFF0.3870 | R/W | CAM14 Most Significant Word Register | 0x0000.0000 |
| CAM14L_1 | 0xFFF0.3874 | R/W | CAM14 Least Significant Word Register | 0x0000.0000 |
| CAM15M_1 | 0xFFF0.3878 | R/W | CAM15 Most Significant Word Register | 0x0000.0000 |
| CAM15L_1 | 0xFFF0.387C | R/W | CAM15 Least Significant Word Register | 0x0000.0000 |
| CAM16M_1 | 0xFFF0.3880 | R/W | CAM16 Most Significant Word Register | 0x0000.0000 |
| CAM16L_1 | 0xFFF0.3884 | R/W | CAM16 Least Significant Word Register | 0x0000.0000 |
| MAC REGISTERS | | | | |
| MIEN_1 | 0xFFF0.3888 | R/W | MAC Interrupt Enable Register | 0x0000.0000 |
| MCMDR_1 | 0xFFF0.388C | R/W | MAC Command Register | 0x0000.0000 |
| MIID_1 | 0xFFF0.3890 | R/W | MII Management Data Register | 0x0000.0000 |
| MIIDA_1 | 0xFFF0.3894 | R/W | MII Management Data Control and Address Register | 0x0090.0000 |
| MPCNT_1 | 0xFFF0.3898 | R/W | Missed Packet counter register | 0x0000.7FFF |
| DMA REGISTERS | | | | |
| TXDLSA_1 | 0xFFF0.389C | R/W | Transmit Descriptor Link List Start Address register | 0xFFFF.FFFC |
| RXDLSA_1 | 0xFFF0.38A0 | R/W | Receive Descriptor Link List Start Address register | 0xFFFF.FFFC |
| DMARFC_1 | 0xFFF0.38A4 | R/W | DMA Receive Frame Control Register | 0x0000.0800 |
| TSDR_1 | 0xFFF0.38A8 | W | Transmit Start Demand Register | Undefined |
| RSDR_1 | 0xFFF0.38AC | W | Receive Start Demand Register | Undefined |
| FIFOTHD_1 | 0xFFF0.38B0 | R/W | FIFO Threshold Adjustment Register | 0x0000.0101 |

W90N740CD/W90N740CDG



EMC 1 Status Registers

| REGISTER | ADDRESS | R/W | DESCRIPTION | RESET VALUE |
|----------------------|-------------|-----|--|-------------|
| MAC REGISTERS | | | | |
| MISTA_1 | 0xFFF0.38B4 | R/W | MAC Interrupt Status Register | 0x0000.0000 |
| MGSTA_1 | 0xFFF0.38B8 | R/W | MAC General Status Register | 0x0000.0000 |
| MRPC_1 | 0xFFF0.38BC | R | MAC Receive Pause count register | 0x0000.0000 |
| MRPCC_1 | 0xFFF0.38C0 | R | MAC Receive Pause Current Count Register | 0x0000.0000 |
| MREPC_1 | 0xFFF0.38C4 | R | MAC Remote pause count register | 0x0000.0000 |
| DMA REGISTERS | | | | |
| DMARFS_1 | 0xFFF0.38C8 | R/W | DMA Receive Frame Status Register | 0x0000.0000 |
| CTXDSA_1 | 0xFFF0.38CC | R | Current Transmit Descriptor Start Address Register | 0x0000.0000 |
| CTXBSA_1 | 0xFFF0.38D0 | R | Current Transmit Buffer Start Address Register | 0x0000.0000 |
| CRXDSA_1 | 0xFFF0.38D4 | R | Current Receive Descriptor Start Address Register | 0x0000.0000 |
| CRXBSA_1 | 0xFFF0.38D8 | R | Current Receive Buffer Start Address Register | 0x0000.0000 |

GDMA Registers Map

| REGISTER | ADDRESS | R/W | DESCRIPTION | RESET VALUE |
|-------------|-------------|-----|--|-------------|
| GDMA_CTL0 | 0xFFF0.4000 | R/W | Channel 0 Control Register | 0x0000.0000 |
| GDMA_SRCB0 | 0xFFF0.4004 | R/W | Channel 0 Source Base Address Register | 0x0000.0000 |
| GDMA_DSTB0 | 0xFFF0.4008 | R/W | Channel 0 Destination Base Address Register | 0x0000.0000 |
| GDMA_TCNT0 | 0xFFF0.400C | R/W | Channel 0 Transfer Count Register | 0x0000.0000 |
| GDMA_CSRC0 | 0xFFF0.4010 | R | Channel 0 Current Source Address Register | 0x0000.0000 |
| GDMA_CDST0 | 0xFFF0.4014 | R | Channel 0 Current Destination Address Register | 0x0000.0000 |
| GDMA_CTCNT0 | 0xFFF0.4018 | R | Channel 0 Current Transfer Count Register | 0x0000.0000 |
| GDMA_CTL1 | 0xFFF0.4020 | R/W | Channel 1 Control Register | 0x0000.0000 |
| GDMA_SRCB1 | 0xFFF0.4024 | R/W | Channel 1 Source Base Address Register | 0x0000.0000 |
| GDMA_DSTB1 | 0xFFF0.4028 | R/W | Channel 1 Destination Base Address Register | 0x0000.0000 |
| GDMA_TCNT1 | 0xFFF0.402C | R/W | Channel 1 Transfer Count Register | 0x0000.0000 |
| GDMA_CSRC1 | 0xFFF0.4030 | R | Channel 1 Current Source Address Register | 0x0000.0000 |
| GDMA_CDST1 | 0xFFF0.4034 | R | Channel 1 Current Destination Address Register | 0x0000.0000 |
| GDMA_CTCNT1 | 0xFFF0.4038 | R | Channel 1 Current Transfer Count Register | 0x0000.0000 |

W90N740CD/W90N740CDG



USB Host Controller Registers Map

| REGISTER | ADDRESS | R/W | DESCRIPTION | RESET VALUE |
|--------------------------|-------------|-----|--|-------------|
| OpenHCI Registers | | | | |
| HcRevision | 0xFFF0.5000 | R | Host Controller Revision Register | 0x0000.0010 |
| HcControl | 0xFFF0.5004 | R/W | Host Controller Control Register | 0x0000.0000 |
| HcCommandStatus | 0xFFF0.5008 | R/W | Host Controller Command Status Register | 0x0000.0000 |
| HcInterruptStatus | 0xFFF0.500C | R/W | Host Controller Interrupt Status Register | 0x0000.0000 |
| HcInterruptEnable | 0xFFF0.5010 | R/W | Host Controller Interrupt Enable Register | 0x0000.0000 |
| HcInterruptDisable | 0xFFF0.5014 | R/W | Host Controller Interrupt Disable Register | 0x0000.0000 |
| HcHCCA | 0xFFF0.5018 | R/W | Host Controller Communication Area Register | 0x0000.0000 |
| HcPeriodCurrentED | 0xFFF0.501C | R/W | Host Controller Period Current ED Register | 0x0000.0000 |
| HcControlHeadED | 0xFFF0.5020 | R/W | Host Controller Control Head ED Register | 0x0000.0000 |
| HcControlCurrentED | 0xFFF0.5024 | R/W | Host Controller Control Current ED Register | 0x0000.0000 |
| HcBulkHeadED | 0xFFF0.5028 | R/W | Host Controller Bulk Head ED Register | 0x0000.0000 |
| HcBulkCurrentED | 0xFFF0.502C | R/W | Host Controller Bulk Current ED Register | 0x0000.0000 |
| HcDoneHead | 0xFFF0.5030 | R/W | Host Controller Done Head Register | 0x0000.0000 |
| HcFmInterval | 0xFFF0.5034 | R/W | Host Controller Frame Interval Register | 0x0000.2EDF |
| HcFrameRemaining | 0xFFF0.5038 | R | Host Controller Frame Remaining Register | 0x0000.0000 |
| HcFmNumber | 0xFFF0.503C | R | Host Controller Frame Number Register | 0x0000.0000 |
| HcPeriodicStart | 0xFFF0.5040 | R/W | Host Controller Periodic Start Register | 0x0000.0000 |
| HcLSThreshold | 0xFFF0.5044 | R/W | Host Controller Low Speed Threshold Register | 0x0000.0628 |
| HcRhDescriptorA | 0xFFF0.5048 | R/W | Host Controller Root Hub Descriptor A Register | 0x0100.0002 |
| HcRhDescriptorB | 0xFFF0.504C | R/W | Host Controller Root Hub Descriptor B Register | 0x0000.0000 |
| HcRhStatus | 0xFFF0.5050 | R/W | Host Controller Root Hub Status Register | 0x0000.0000 |
| HcRhPortStatus [1] | 0xFFF0.5054 | R/W | Host Controller Root Hub Port Status [1] | 0x0000.0000 |
| HcRhPortStatus [2] | 0xFFF0.5058 | R/W | Host Controller Root Hub Port Status [2] | 0x0000.0000 |

W90N740CD/W90N740CDG



NATA Registers Map

| REGISTER | OFFSET | R/W | DESCRIPTION | RESET VALUE |
|--|-------------|-----|--|-------------|
| NATA Control and Status Registers | | | | |
| NATCMD | 0xFFF0.6000 | R/W | NAT Command Register | 0x0000.0000 |
| NATCCLR0 | 0xFFF0.6010 | W | NAT Counter 0 Clear Register | 0x0000.0000 |
| NATCCLR1 | 0xFFF0.6014 | W | NAT Counter 1 Clear Register | 0x0000.0000 |
| NATCCLR2 | 0xFFF0.6018 | W | NAT Counter 2 Clear Register | 0x0000.0000 |
| NATCCLR3 | 0xFFF0.601C | W | NAT Counter 3 Clear Register | 0x0000.0000 |
| NATCFG0 | 0xFFF0.6100 | R/W | NAT Entry 0 Configuration Register | 0x0000.0000 |
| NATCFG1 | 0xFFF0.6104 | R/W | NAT Entry 1 Configuration Register | 0x0000.0000 |
| . | . | . | . | . |
| . | . | . | . | . |
| . | . | . | . | . |
| NATCFG63 | 0xFFF0.61FC | R/W | NAT Entry 63 Configuration Register | 0x0000.0000 |
| EXMACM | 0xFFF0.6200 | R/W | External MAC Address Most Significant Word Register | 0x0000.0000 |
| EXMACL | 0xFFF0.6204 | R/W | External MAC Address Least Significant Word Register | 0x0000.0000 |
| INMACM | 0xFFF0.6208 | R/W | Internal MAC Address Most Significant Word Register | 0x0000.0000 |
| INMACL | 0xFFF0.620C | R/W | Internal MAC Address Least Significant Word Register | 0x0000.0000 |

W90N740CD/W90N740CDG



| REGISTER | OFFSET | R/W | DESCRIPTION | RESET VALUE |
|---|-------------|-----|---|-------------|
| Address Lookup and Replacement Registers | | | | |
| MASAD0 | 0xFFF0.6800 | R/W | NAT Masquerading IP Address Entry 0 | 0x0000.0000 |
| MASPN0 | 0xFFF0.6804 | R/W | NAT Masquerading Port Number Entry 0 | 0x0000.0000 |
| LSAD0 | 0xFFF0.6808 | R/W | Local Station IP Address Entry 0 | 0x0000.0000 |
| LSPN0 | 0xFFF0.680C | R/W | Local Station Port Number Entry 0 | 0x0000.0000 |
| LSMAC0M | 0xFFF0.6810 | R/W | Local Station MAC Address Most Significant Word Register for Entry 0 | 0x0000.0000 |
| LSMAC0L | 0xFFF0.6814 | R/W | Local Station MAC Address Least Significant Word Register for Entry 0 | 0x0000.0000 |
| RSMAC0M | 0xFFF0.6818 | R/W | Remote Station MAC Address Most Significant Word Register for Entry 0 | 0x0000.0000 |
| RSMAC0L | 0xFFF0.681C | R/W | Remote Station MAC Address Least Significant Word Register for Entry 0 | 0x0000.0000 |
| MASAD1 | 0xFFF0.6820 | R/W | NAT Masquerading IP Address Entry 1 | 0x0000.0000 |
| MASPN1 | 0xFFF0.6824 | R/W | NAT Masquerading Port Number Entry 1 | 0x0000.0000 |
| LSAD1 | 0xFFF0.6828 | R/W | Local Station IP Address Entry 1 | 0x0000.0000 |
| LSPN1 | 0xFFF0.682C | R/W | Local Station Port Number Entry 1 | 0x0000.0000 |
| LSMAC1M | 0xFFF0.6830 | R/W | Local Station MAC Address Most Significant Word Register for Entry 1 | 0x0000.0000 |
| LSMAC1L | 0xFFF0.6834 | R/W | Local Station MAC Address Least Significant Word Register for Entry 1 | 0x0000.0000 |
| RSMAC1M | 0xFFF0.6838 | R/W | Remote Station MAC Address Most Significant Word Register for Entry 1 | 0x0000.0000 |
| RSMAC1L | 0xFFF0.683C | R/W | Remote Station MAC Address Least Significant Word Register for Entry 1 | 0x0000.0000 |
| ... | ... | ... | ... | ... |
| MASAD63 | 0xFFF0.6FE0 | R/W | NAT Masquerading IP Address Entry 63 | 0x0000.0000 |
| MASPN63 | 0xFFF0.6FE4 | R/W | NAT Masquerading Port Number Entry 63 | 0x0000.0000 |
| LSAD63 | 0xFFF0.6FE8 | R/W | Local Station IP Address Entry 63 | 0x0000.0000 |
| LSPN63 | 0xFFF0.6FEC | R/W | Local Station Port Number Entry 63 | 0x0000.0000 |
| LSMAC63M | 0xFFF0.6FF0 | R/W | Local Station MAC Address Most Significant Word Register for Entry 63 | 0x0000.0000 |
| LSMAC63L | 0xFFF0.6FF4 | R/W | Local Station MAC Address Least Significant Word Register for Entry 63 | 0x0000.0000 |
| RSMAC63M | 0xFFF0.6FF8 | R/W | Remote Station MAC Address Most Significant Word Register for Entry 63 | 0x0000.0000 |
| RSMAC63L | 0xFFF0.6FFC | R/W | Remote Station MAC Address Least Significant Word Register for Entry 63 | 0x0000.0000 |

W90N740CD/W90N740CDG



UART Control Registers Map

| REGISTER | ADDRESS | R/W | DESCRIPTION | RESET VALUE |
|----------|--------------|-----|---|-------------|
| RBR | 0xFFFF8.0000 | R | Receive Buffer Register (DLAB = 0) | Undefined |
| THR | 0xFFFF8.0000 | W | Transmit Holding Register (DLAB = 0) | Undefined |
| IER | 0xFFFF8.0004 | R/W | Interrupt Enable Register (DLAB = 0) | 0x0000.0000 |
| DLL | 0xFFFF8.0000 | R/W | Divisor Latch Register (LS) (DLAB = 1) | 0x0000.0000 |
| DLM | 0xFFFF8.0004 | R/W | Divisor Latch Register (MS) (DLAB = 1) | 0x0000.0000 |
| IIR | 0xFFFF8.0008 | R | Interrupt Identification Register | 0x8181.8181 |
| FCR | 0xFFFF8.0008 | W | FIFO Control Register | Undefined |
| LCR | 0xFFFF8.000C | R/W | Line Control Register | 0x0000.0000 |
| MCR | 0xFFFF8.0010 | R/W | Modem Control Register | 0x0000.0000 |
| LSR | 0xFFFF8.0014 | R | Line Status Register | 0x6060.6060 |
| MSR | 0xFFFF8.0018 | R | MODEM Status Register | 0x0000.0000 |
| TOR | 0xFFFF8.001C | R | Time Out Register | 0x0000.0000 |

Timer Control Registers Map

| REGISTER | ADDRESS | R/W | DESCRIPTION | RESET VALUE |
|----------|--------------|-----|----------------------------------|-------------|
| TCR0 | 0xFFFF8.1000 | R/W | Timer Control Register 0 | 0x0000.0005 |
| TCR1 | 0xFFFF8.1004 | R/W | Timer Control Register 1 | 0x0000.0005 |
| TICR0 | 0xFFFF8.1008 | R/W | Timer Initial Control Register 0 | 0x0000.00FF |
| TICR1 | 0xFFFF8.100C | R/W | Timer Initial Control Register 1 | 0x0000.00FF |
| TDR0 | 0xFFFF8.1010 | R | Timer Data Register 0 | 0x0000.0000 |
| TDR1 | 0xFFFF8.1014 | R | Timer Data Register 1 | 0x0000.0000 |
| TISR | 0xFFFF8.1018 | R/C | Timer Interrupt Status Register | 0x0000.0000 |
| WTCR | 0xFFFF8.101C | R/W | Watchdog Timer Control Register | 0x0000.0000 |

GPIO Controller Registers Map

| REGISTER | ADDRESS | R/W | DESCRIPTION | RESET VALUE |
|--------------|--------------|-----|-----------------------------|-------------|
| GPIO_CFG | 0xFFFF8.3000 | R/W | GPIO Configuration Register | 0x0000.0000 |
| GPIO_DIR | 0xFFFF8.3004 | R/W | GPIO Direction Register | 0x0000.0000 |
| GPIO_DATAOUT | 0xFFFF8.3008 | R/W | GPIO Data Output Register | 0x0000.0000 |
| GPIO_DATAIN | 0xFFFF8.300C | R | GPIO Data Input Register | Undefined |
| DEBNCE_CTRL | 0xFFFF8.3010 | R/W | De-bounce Control Register | 0x0000.0000 |

W90N740CD/W90N740CDG



AIC Registers Map

| REGISTER | ADDRESS | R/W | DESCRIPTION | RESET VALUE |
|-----------|-------------|-----|--------------------------------------|-------------|
| AIC_SCR1 | 0xFFF8.2004 | R/W | Source Control Register 1 | 0x0000.0047 |
| AIC_SCR2 | 0xFFF8.2008 | R/W | Source Control Register 2 | 0x0000.0047 |
| AIC_SCR3 | 0xFFF8.200C | R/W | Source Control Register 3 | 0x0000.0047 |
| AIC_SCR4 | 0xFFF8.2010 | R/W | Source Control Register 4 | 0x0000.0047 |
| AIC_SCR5 | 0xFFF8.2014 | R/W | Source Control Register 5 | 0x0000.0047 |
| AIC_SCR6 | 0xFFF8.2018 | R/W | Source Control Register 6 | 0x0000.0047 |
| AIC_SCR7 | 0xFFF8.201C | R/W | Source Control Register 7 | 0x0000.0047 |
| AIC_SCR8 | 0xFFF8.2020 | R/W | Source Control Register 8 | 0x0000.0047 |
| AIC_SCR9 | 0xFFF8.2024 | R/W | Source Control Register 9 | 0x0000.0047 |
| AIC_SCR10 | 0xFFF8.2028 | R/W | Source Control Register 10 | 0x0000.0047 |
| AIC_SCR11 | 0xFFF8.202C | R/W | Source Control Register 11 | 0x0000.0047 |
| AIC_SCR12 | 0xFFF8.2030 | R/W | Source Control Register 12 | 0x0000.0047 |
| AIC_SCR13 | 0xFFF8.2034 | R/W | Source Control Register 13 | 0x0000.0047 |
| AIC_SCR14 | 0xFFF8.2038 | R/W | Source Control Register 14 | 0x0000.0047 |
| AIC_SCR15 | 0xFFF8.203C | R/W | Source Control Register 15 | 0x0000.0047 |
| AIC_SCR16 | 0xFFF8.2040 | R/W | Source Control Register 16 | 0x0000.0000 |
| AIC_SCR17 | 0xFFF8.2044 | R/W | Source Control Register 17 | 0x0000.0000 |
| AIC_SCR18 | 0xFFF8.2048 | R/W | Source Control Register 18 | 0x0000.0000 |
| AIC_IRSR | 0xFFF8.2100 | R | Interrupt Raw Status Register | 0x0000.0000 |
| AIC_IASR | 0xFFF8.2104 | R | Interrupt Active Status Register | 0x0000.0000 |
| AIC_ISR | 0xFFF8.2108 | R | Interrupt Status Register | 0x0000.0000 |
| AIC_IPER | 0xFFF8.210C | R | Interrupt Priority Encoding Register | 0x0000.0000 |
| AIC_ISNR | 0xFFF8.2110 | R | Interrupt Source Number Register | 0x0000.0000 |
| AIC_IMR | 0xFFF8.2114 | R | Interrupt Mask Register | 0x0000.0000 |
| AIC_OISR | 0xFFF8.2118 | R | Output Interrupt Status Register | 0x0000.0000 |
| AIC_MECCR | 0xFFF8.2120 | W | Mask Enable Command Register | Undefined |
| AIC_MDCR | 0xFFF8.2124 | W | Mask Disable Command Register | Undefined |
| AIC_SSCR | 0xFFF8.2128 | W | Source Set Command Register | Undefined |
| AIC_SCCR | 0xFFF8.212C | W | Source Clear Command Register | Undefined |
| AIC_EOSCR | 0xFFF8.2130 | W | End of Service Command Register | Undefined |

W90N740CD/W90N740CDG



11. ORDERING INFORMATION

| PART NUMBER | NAME | PACKAGE DESCRIPTION |
|-------------|---------|---|
| W90N740CD | LQFP176 | 176 Leads, body 22 x 22 x 1.4 mm |
| W90N740CDG | LQFP176 | 176 Leads, body 22 x 22 x 1.4 mm, Lead free package |

12. REVISION HISTORY

| VERSION | DATE | PAGE | DESCRIPTION |
|---------|----------------|----------|---|
| A1 | Jan 15, 2003 | - | Initial Issued |
| A2 | May 27, 2003 | - | Add DC specifications in 8.2 |
| A3 | Sep. 3, 2004 | | Change Pin Description |
| A4 | Nov. 26, 2004 | Page 54 | Change tCOH description |
| | | Page 56 | Remove Fig. 7.3.7 |
| | | Page 57 | Address change from 0x7ff71f00 to 0xffff71f00 |
| | | Page 127 | Add description in external GDMA |
| | | Page 215 | Add lead free package item |
| A5 | April 19, 2005 | Page 216 | Add Important Notice |
| A6 | Aug. 18, 2005 | Page 155 | Change the clock order |
| | | Page 3 | Change OHCI 1.0 to OHCI 1.1 |
| | | Page 121 | Section 7.8 Change OHCI 1.0 to OHCI 1.1 |
| | | Page 123 | Change OHCI 1.0 to OHCI 1.1 |
| | | Page 114 | Section 7.7.2 Change the GDMA_CTL0 describe and content |

W90N740CD/W90N740CDG



Important Notice

Winbond products are not designed, intended, authorized or warranted for use as components in systems or equipment intended for surgical implantation, atomic energy control instruments, airplane or spaceship instruments, transportation instruments, traffic signal instruments, combustion control instruments, or for other applications intended to support or sustain life. Further more, Winbond products are not intended for applications wherein failure of Winbond products could result or lead to a situation wherein personal injury, death or severe property or environmental damage could occur.

Winbond customers using or selling these products for use in such applications do so at their own risk and agree to fully indemnify Winbond for any damages resulting from such improper use or sales.



Headquarters

No. 4, Creation Rd. III,
Science-Based Industrial Park,
Hsinchu, Taiwan
TEL: 886-3-5770066
FAX: 886-3-5665577
<http://www.winbond.com.tw/>

Winbond Electronics Corporation America

2727 North First Street, San Jose,
CA 95134, U.S.A.
TEL: 1-408-9436666
FAX: 1-408-5441798

Winbond Electronics (Shanghai) Ltd.

27F, 2299 Yan An W. Rd. Shanghai,
200336 China
TEL: 86-21-62365999
FAX: 86-21-62365998

Taipei Office

9F, No.480, Rueiguang Rd.,
Neihu District, Taipei, 114,
Taiwan, R.O.C.
TEL: 886-2-8177-7168
FAX: 886-2-8751-3579

Winbond Electronics Corporation Japan

7F Daini-ueno BLDG, 3-7-18
Shinyokohama Kohoku-ku,
Yokohama, 222-0033
TEL: 81-45-4781881
FAX: 81-45-4781800

Winbond Electronics (H.K.) Ltd.

Unit 9-15, 22F, Millennium City,
No. 378 Kwun Tong Rd.,
Kowloon, Hong Kong
TEL: 852-27513100
FAX: 852-27552064

*Please note that all data and specifications are subject to change without notice.
All the trade marks of products and companies mentioned in this data sheet belong to their respective owners.*

Publication Release Date: Aug. 18, 2005